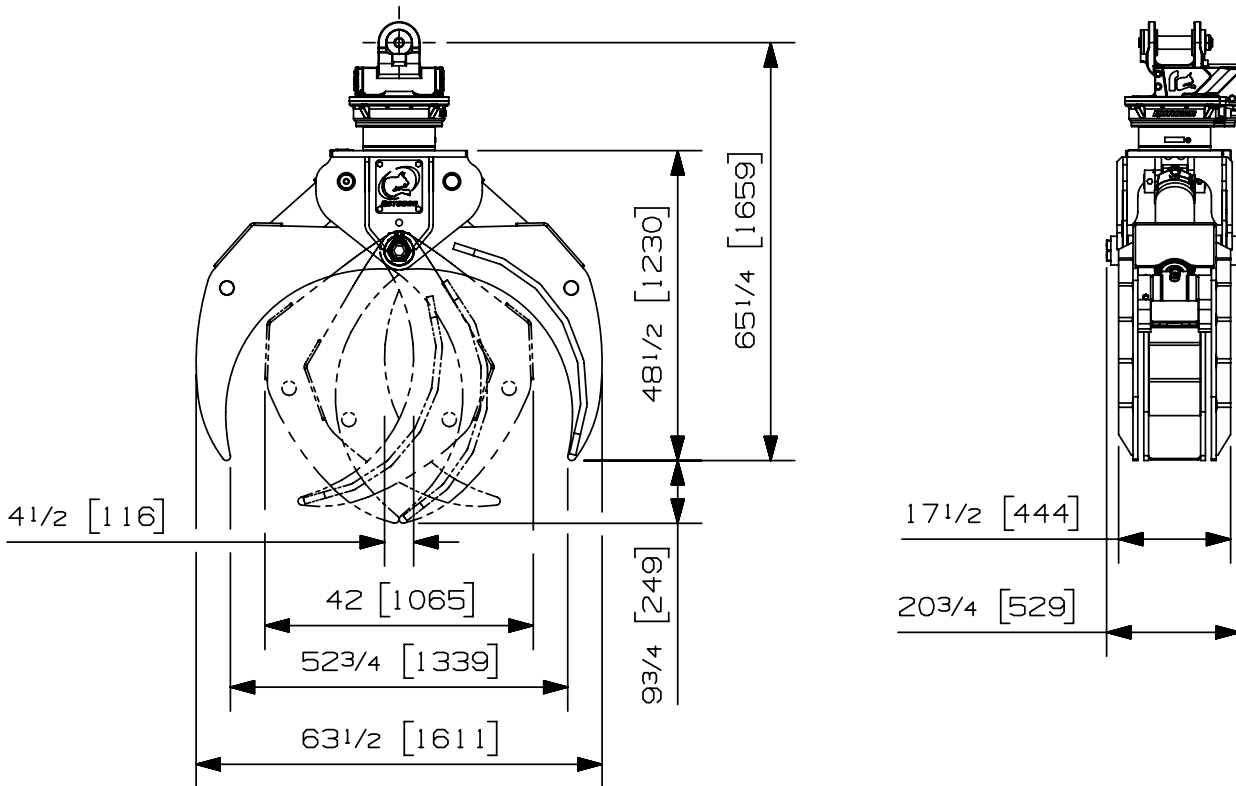


<b>Max load:</b>	n/a lb	n/a kg
<b>Volume:</b>	.23 cord of 8ft.	.83 m <sup>3</sup>
<b>Area tip to tip:</b>	3.64 ft <sup>2</sup>	.34 m <sup>2</sup>
<b>Rotator lifting capacity:</b>	50000 lb	22680 kg
<b>Torque at relief pressure:</b>	14910 lb-in	1685 Nm
	1160 psi	80 bars
<b>Weight:</b>	1730 lb	785 kg

<b>Rotator</b>	<b>Maximum pressure:</b> 5000 psi    345 bars	<b>Recommended flow:</b> 9 gpm    34 l/min
Rotator recommended flow will produce a speed of 25 rpm		

Cylinder	Diameter	Recommended pressure	Pressure range	Flow range	Lock valves
Standard	4 " (102 mm)	3750 psi (259 bars)	2500-5000 psi (172-345 bars)	22-33 gpm (83-125 l/min.)	yes

Grapple cylinder maximum flow will theoretically produce a complete grapple open/close cycle in 4 seconds.

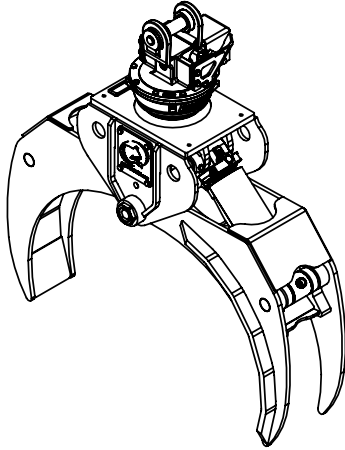


- Options:
- Log protection package, including shaft on jaw tips and protection strips on jaw edges. (60 lb / 27 kg)
  - Shaft on jaw tips to prevent log damage. (n/a)
  - Impact protection relief valve. (37 lb / 17 kg)
  - Saw bundle kit RGS-404 (426 lb/193 kg) or RGS-750 (663 lb/301 kg)
  - Optional brush rake kit (1240 lb / 560 kg)
  - Closed head option. (42 lb / 19 kg)

web site: [www.rotobec.com](http://www.rotobec.com)

email: [rotobec@rotobec.com](mailto:rotobec@rotobec.com)

**Rotobec Inc.:** Head office serving OEM's and Eastern Canada    Ph: (418) 383-3002 Fax: (418) 383-5334  
**Rotobec West:** Branch serving Western Canada and Western USA    Ph: (250) 765-1161 Fax: (250) 765-0035  
**Rotobec USA:** Branch serving Eastern and Central USA    Ph: (603) 444-2103 Fax: (603) 444-0327

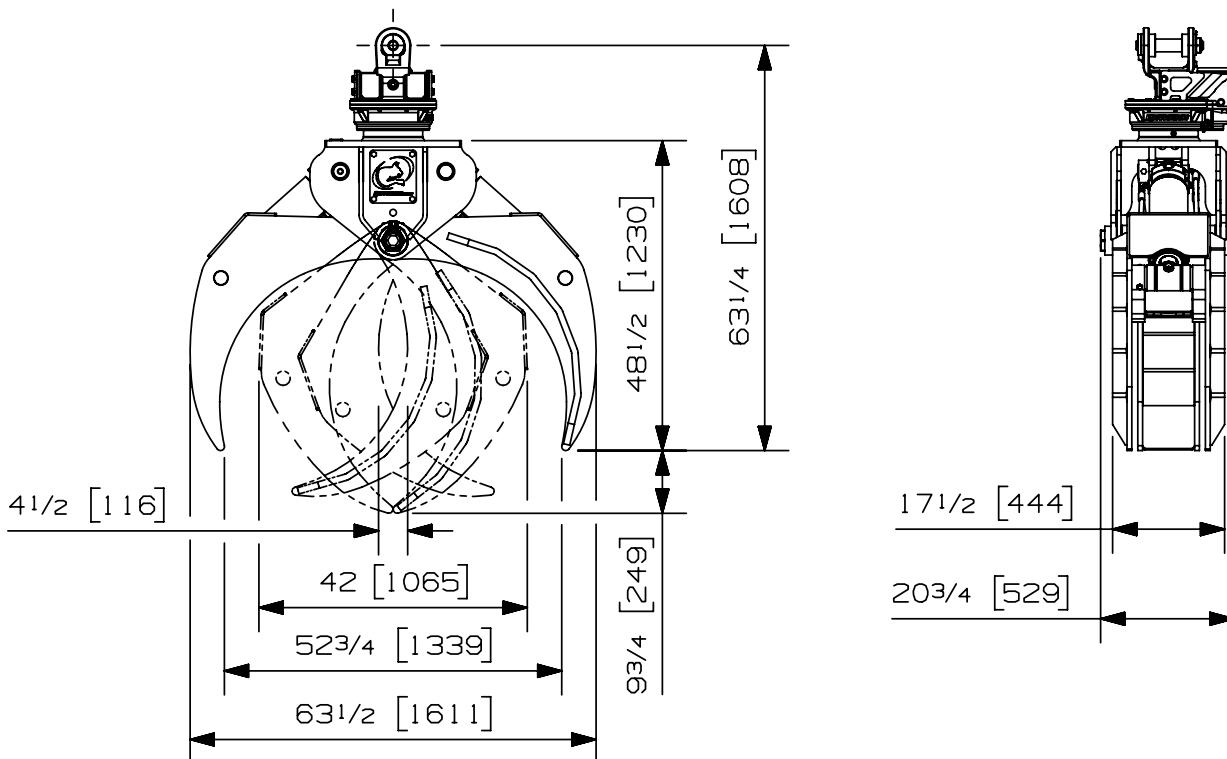


<b>Max load:</b>	n/a lb	n/a kg
<b>Volume:</b>	.23 cord of 8ft.	.83 m <sup>3</sup>
<b>Area tip to tip:</b>	3.64 ft <sup>2</sup>	.34 m <sup>2</sup>
<b>Rotator lifting capacity:</b>	32000 lb	14515 kg
<b>Torque at relief pressure:</b>	12920 lb-in	1460 Nm
	1160 psi	80 bars
<b>Weight:</b>	1595 lb	723 kg

<b>Rotator</b>	<b>Maximum pressure:</b> 5000 psi    345 bars	<b>Recommended flow:</b> 9 gpm    34 l/min
Rotator recommended flow will produce a speed of 30 rpm		

Cylinder	Diameter	Recommended pressure	Pressure range	Flow range	Lock valves
Standard	4 " (102 mm)	3750 psi (259 bars)	2500-5000 psi (172-345 bars)	22-33 gpm (83-125 l/min.)	yes

Grapple cylinder maximum flow will theoretically produce a complete grapple open/close cycle in 4 seconds.



- Options:
- Log protection package, including shaft on jaw tips and protection strips on jaw edges. (60 lb / 27 kg)
  - Shaft on jaw tips to prevent log damage. (n/a)
  - Impact protection relief valve. (37 lb / 17 kg)
  - Optional brush rake kit (1240 lb / 560 kg)
  - Closed head option. (42 lb / 19 kg)

web site: [www.rotobec.com](http://www.rotobec.com)

email: [rotobec@rotobec.com](mailto:rotobec@rotobec.com)

**Rotobec Inc.:** Head office serving OEM's and Eastern Canada  
**Rotobec West:** Branch serving Western Canada and Western USA  
**Rotobec USA:** Branch serving Eastern and Central USA

Ph: (418) 383-3002 Fax: (418) 383-5334  
 Ph: (250) 765-1161 Fax: (250) 765-0035  
 Ph: (603) 444-2103 Fax: (603) 444-0327

