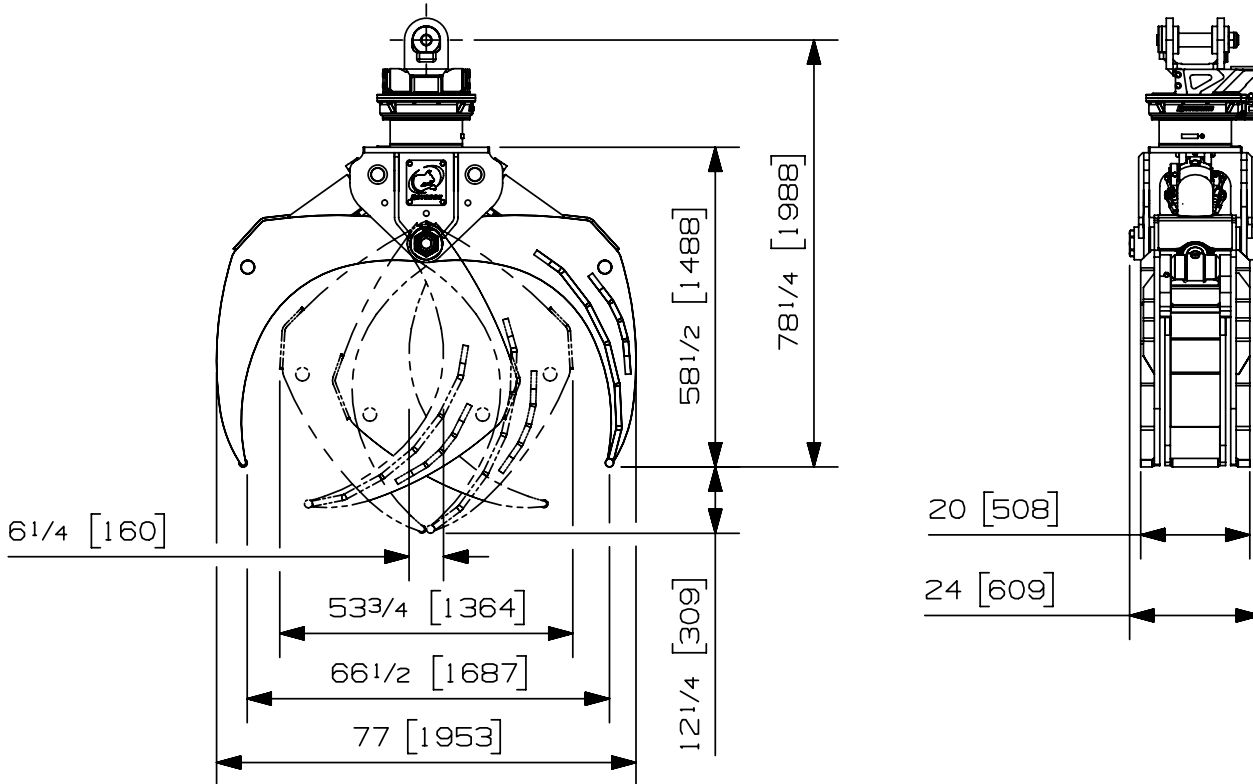


|                                   |                      |                     |
|-----------------------------------|----------------------|---------------------|
| <b>Max load:</b>                  | n/a lb               | n/a kg              |
| <b>Volume:</b>                    | .38 cord of 8ft.     | 1.38 m <sup>3</sup> |
| <b>Area tip to tip:</b>           | 6.16 ft <sup>2</sup> | .57 m <sup>2</sup>  |
| <b>Rotator lifting capacity:</b>  | 100000 lb            | 45359 kg            |
| <b>Torque at relief pressure:</b> | 22360 lb-in          | 2526 Nm             |
|                                   | 1450 psi             | 100 bars            |
| <b>Weight:</b>                    | 2715 lb              | 1232 kg             |

|   |   |  |
|---|---|--|
| <b>Rotator</b>  | <b>Maximum pressure:</b> 5000 psi    345 bars | <b>Recommended flow:</b> 8 gpm    30 l/min |
| Rotator recommended flow will produce a speed of 20 rpm |   |  |

| Cylinder | Diameter         | Recommended pressure | Pressure range               | Flow range                 | Lock valves |
|----------|------------------|----------------------|------------------------------|----------------------------|-------------|
| Standard | 4 1/2 " (114 mm) | 3750 psi (259 bars)  | 2500-5000 psi (172-345 bars) | 29-41 gpm (110-155 l/min.) | yes         |

Grapple cylinder maximum flow will theoretically produce a complete grapple open/close cycle in 5 seconds.



- Options:
- Log protection package, including shaft on jaw tips and protection strips on jaw edges. (81 lb / 37 kg)
  - Shaft on jaw tips to prevent log damage. (n/a)
  - Impact protection relief valve. (42 lb / 19 kg)
  - Closed head option. (58 lb / 27 kg)

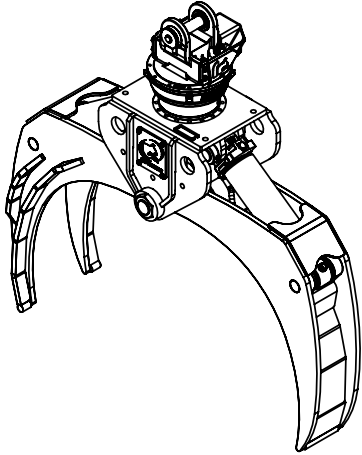
web site: [www.rotobec.com](http://www.rotobec.com)

email: [rotobec@rotobec.com](mailto:rotobec@rotobec.com)

**Rotobec Inc.:** Head office serving OEM's and Eastern Canada    Ph: (418) 383-3002 Fax: (418) 383-5334  
**Rotobec West:** Branch serving Western Canada and Western USA    Ph: (250) 765-1161 Fax: (250) 765-0035  
**Rotobec USA:** Branch serving Eastern and Central USA    Ph: (603) 444-2103 Fax: (603) 444-0327

We reserve the right to change specifications and to improve our products without notice or obligation.

07006-1766  
20/09/16 **D.B.**

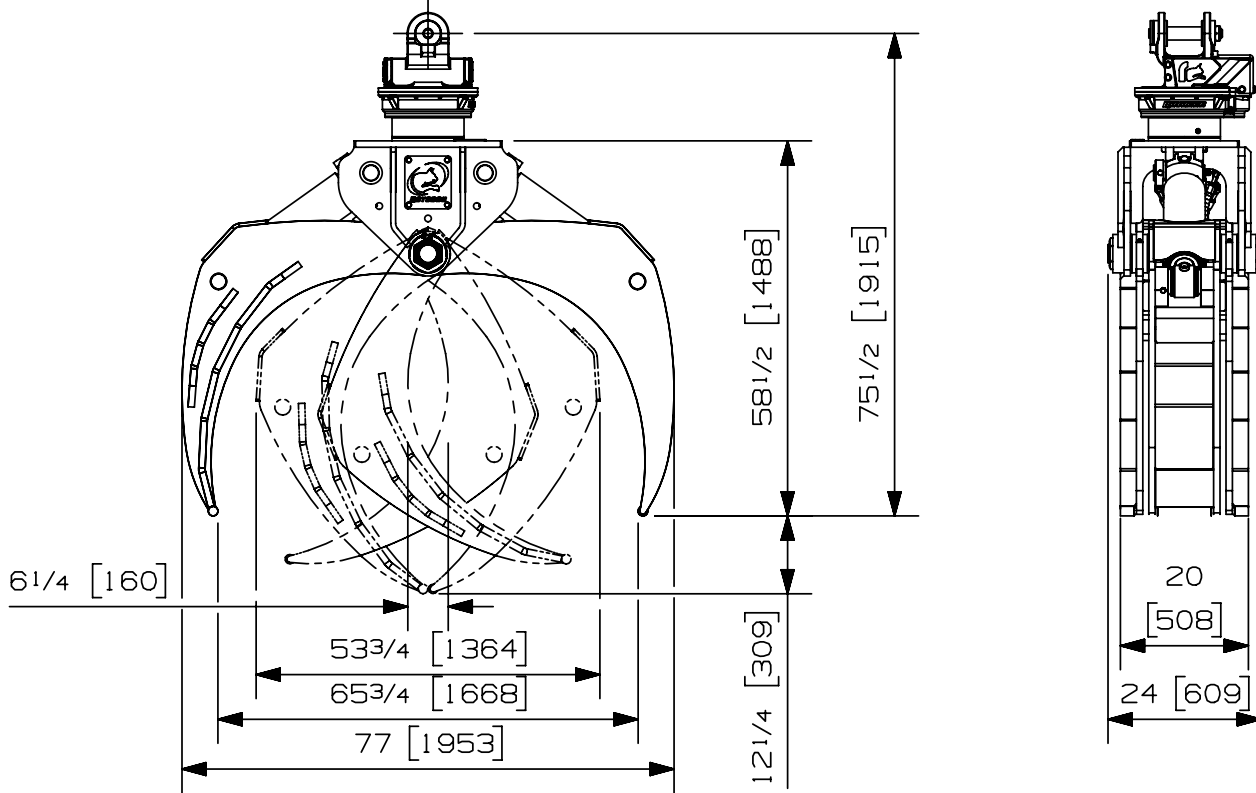


|                                   |                      |                     |
|-----------------------------------|----------------------|---------------------|
| <b>Max load:</b>                  | n/a lb               | n/a kg              |
| <b>Volume:</b>                    | .38 cord of 8ft.     | 1.38 m <sup>3</sup> |
| <b>Area tip to tip:</b>           | 6.16 ft <sup>2</sup> | .57 m <sup>2</sup>  |
| <b>Rotator lifting capacity:</b>  | 50000 lb             | 22680 kg            |
| <b>Torque at relief pressure:</b> | 18630 lb-in          | 2105 Nm             |
|                                   | 1450 psi             | 100 bars            |
| <b>Weight:</b>                    | 2480 lb              | 1125 kg             |

|   |   |  |
|---|---|--|
| <b>Rotator</b>  | <b>Maximum pressure:</b> 5000 psi    345 bars | <b>Recommended flow:</b> 9 gpm    34 l/min |
| Rotator recommended flow will produce a speed of 25 rpm |   |  |

| Cylinder | Diameter         | Recommended pressure | Pressure range               | Flow range                 | Lock valves |
|----------|------------------|----------------------|------------------------------|----------------------------|-------------|
| Standard | 4 1/2 " (114 mm) | 3750 psi (259 bars)  | 2500-5000 psi (172-345 bars) | 29-41 gpm (110-155 l/min.) | yes         |

Grapple cylinder maximum flow will theoretically produce a complete grapple open/close cycle in 5 seconds.



- Options:
- Log protection package, including shaft on jaw tips and protection strips on jaw edges. (81 lb / 37 kg)
  - Shaft on jaw tips to prevent log damage. (n/a)
  - Impact protection relief valve. (42 lb / 19 kg)
  - Closed head option. (58 lb / 27 kg)

web site: [www.rotobec.com](http://www.rotobec.com)

email: [rotobec@rotobec.com](mailto:rotobec@rotobec.com)

**Rotobec Inc.:** Head office serving OEM's and Eastern Canada    Ph: (418) 383-3002 Fax: (418) 383-5334  
**Rotobec West:** Branch serving Western Canada and Western USA    Ph: (250) 765-1161 Fax: (250) 765-0035  
**Rotobec USA:** Branch serving Eastern and Central USA    Ph: (603) 444-2103 Fax: (603) 444-0327