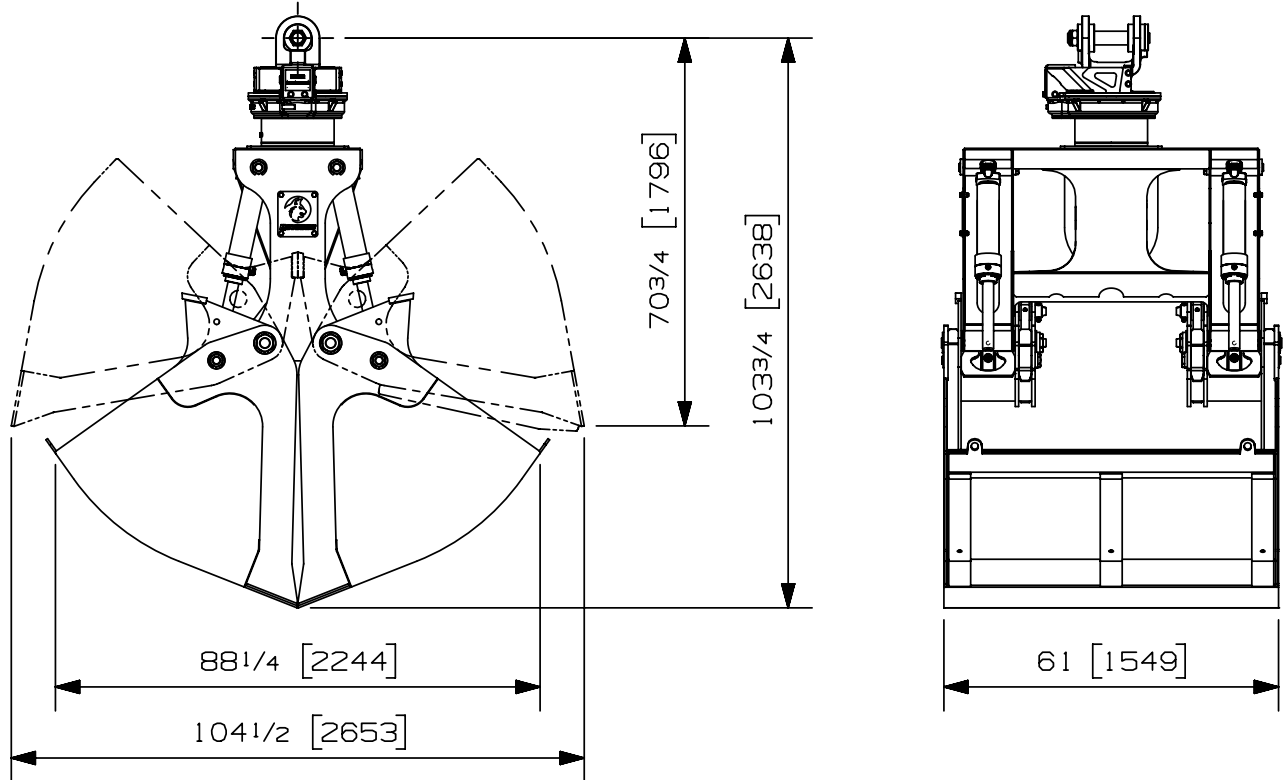


Max load:	n/a lb	n/a kg
Volume:	3.00 y <sup>3</sup>	2.29 m <sup>3</sup>
Area tip to tip:	- ft <sup>2</sup>	- m <sup>2</sup>
Rotator lifting capacity:	100000 lb	45359 kg
Torque at relief pressure:	22360 lb-in	2526 Nm
	1450 psi	100 bars
Weight:	4845 lb	2198 kg

Rotator	Maximum pressure: 5000 psi	345 bars	Recommended flow: 8 gpm	30 l/min
Rotator recommended flow will produce a speed of 20 rpm				

Cylinder	Diameter	Recommended pressure	Pressure range	Flow range	Lock valves
Standard	3 " (76 mm)	3500 psi (241 bars)	2500-4500 psi (172-310 bars)	24-36 gpm (91-136 l/min.)	no

Grapple cylinder maximum flow will theoretically produce a complete grapple open/close cycle in 4 seconds.



Options:

- Bolt-on cutting edges (270 lb / 120 kg)
- 
- 
- 

web site: [www.rotobec.com](http://www.rotobec.com)

email: [rotobec@rotobec.com](mailto:rotobec@rotobec.com)

Rotobec Inc.: Head office serving OEM's and Eastern Canada Ph: (418) 383-3002 Fax: (418) 383-5334  
 Rotobec West: Branch serving Western Canada and Western USA Ph: (250) 765-1161 Fax: (250) 765-0035  
 Rotobec USA: Branch serving Eastern and Central USA Ph: (603) 444-2103 Fax: (603) 444-0327

We reserve the right to change specifications and to improve our products without notice or obligation.

07003-3600  
 11/11/20 D.L.