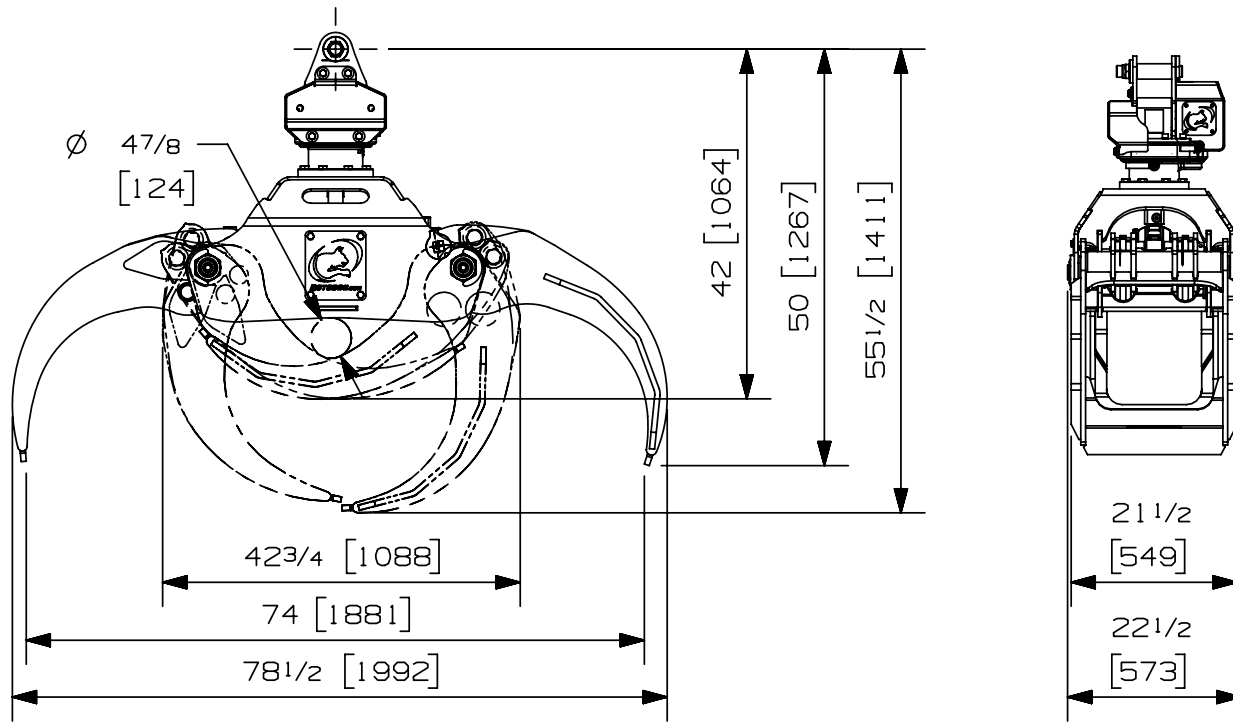


<b>Max load:</b>	n/a lb	n/a kg
<b>Volume:</b>	.24 cord of 8 ft	.87 m <sup>3</sup>
<b>Area tip to tip:</b>	3.88 ft <sup>2</sup>	.36 m <sup>2</sup>
<b>Rotator lifting capacity:</b>	14000 lb	6350 kg
<b>Torque at relief pressure:</b>	8450 lb-in	955 Nm
	913 psi	63 bars
<b>Weight:</b>	1100 lb	499 kg

<b>Rotator</b>	<b>Maximum pressure:</b> 5000 psi    345 bars	<b>Recommended flow:</b> 8 gpm    30 l/min
Rotator recommended flow will produce a speed of 30 rpm		

Cylinder	Diameter	Recommended pressure	Pressure range	Flow range	Lock valves
Standard	3 1/2 " (89 mm)	3000 psi (207 bars)	2500-3500 psi (172-241 bars)	9-14 gpm (34-53 l/min.)	no
Standard	3 " (76 mm)	4300 psi (297 bars)	3600-5000 psi (248-345 bars)	6-10 gpm (23-38 l/min.)	no

Grapple cylinder maximum flow will theoretically produce a complete grapple open/close cycle in 4 seconds.



Options:

- 
- 
- 
- 

web site: [www.rotobec.com](http://www.rotobec.com)

email: [rotobec@rotobec.com](mailto:rotobec@rotobec.com)

**Rotobec Inc.:** Head office serving OEM's and Eastern Canada    Ph: (418) 383-3002 Fax: (418) 383-5334  
**Rotobec West:** Branch serving Western Canada and Western USA    Ph: (250) 765-1161 Fax: (250) 765-0035  
**Rotobec USA:** Branch serving Eastern and Central USA    Ph: (603) 444-2103 Fax: (603) 444-0327

We reserve the right to change specifications and to improve our products without notice or obligation.

07006-8145  
24/04/17 E.T.