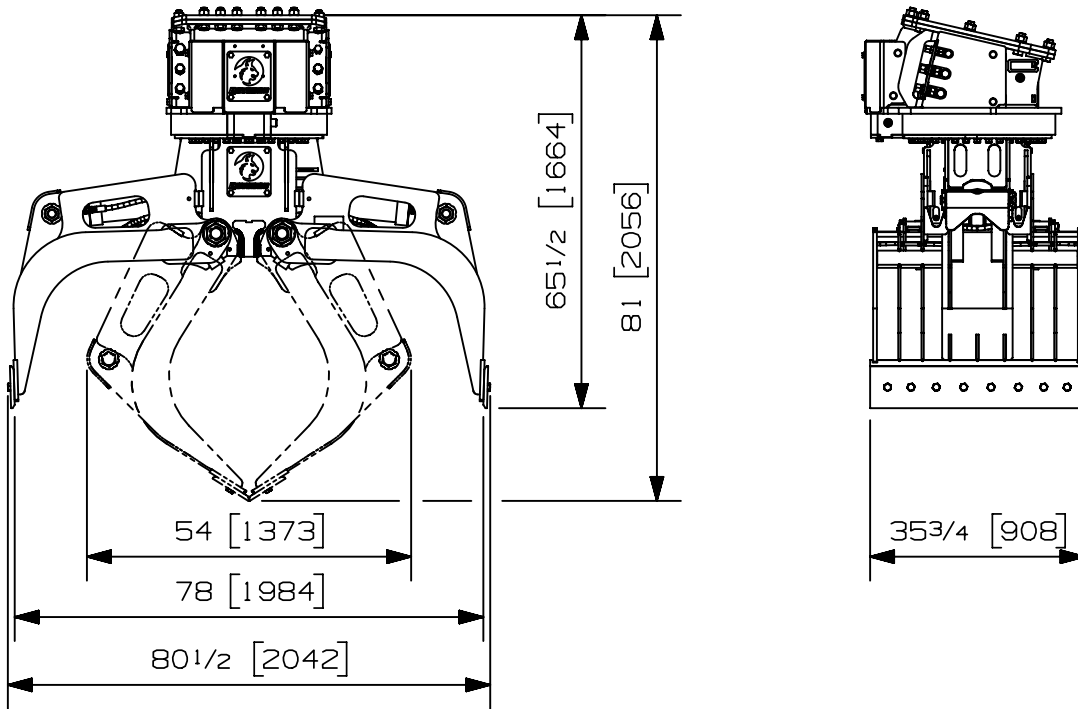


<b>Max load:</b>	n/a lb	n/a kg
<b>Volume:</b>	.50-.75 y <sup>3</sup> *	.38-.57 m <sup>3</sup> *
<b>Area tip to tip:</b>	4.51 ft <sup>2</sup>	.42 m <sup>2</sup>
<b>Rotator lifting capacity:</b>	90000 lb	40823 kg
<b>Torque at relief pressure:</b>	51150 lb-in	5779 Nm
	1800 psi	124 bars
<b>Weight:</b>	3115 lb	1413 kg

<b>Rotator</b>	<b>Maximum pressure:</b> 5000 psi    345 bars	<b>Recommended flow:</b> 12 gpm    45 l/min
Rotator recommended flow will produce a maximum speed of 15 rpm		

Cylinder	Diameter	Recommended pressure	Pressure range	Flow range	Lock valves
Standard	3 1/2 " (89 mm)	4000 psi (276 bars)	3000 - 5000 psi (207-345 bars)	14 - 20 gpm (53-76 l/min.)	No

Grapple cylinder maximum flow will theoretically produce a complete grapple open/close cycle in 4 seconds.



**Options:**

- Load holding valve (20 lbs / 9 kg)
- See also RLP-902 options for more options.
- 
- 

\* Volume: The first value is calculated with the grapple theoretical volume. The second value is calculated with a spillover factor of 1.5

web site: [www.rotobec.com](http://www.rotobec.com)

email: [rotobec@rotobec.com](mailto:rotobec@rotobec.com)

**Rotobec Inc.:** Head office serving OEM's and Eastern Canada    Ph: (418) 383-3002 Fax: (418) 383-5334  
**Rotobec West:** Branch serving Western Canada and Western USA    Ph: (250) 765-1161 Fax: (250) 765-0035  
**Rotobec USA:** Branch serving Eastern and Central USA    Ph: (603) 444-2103 Fax: (603) 444-0327