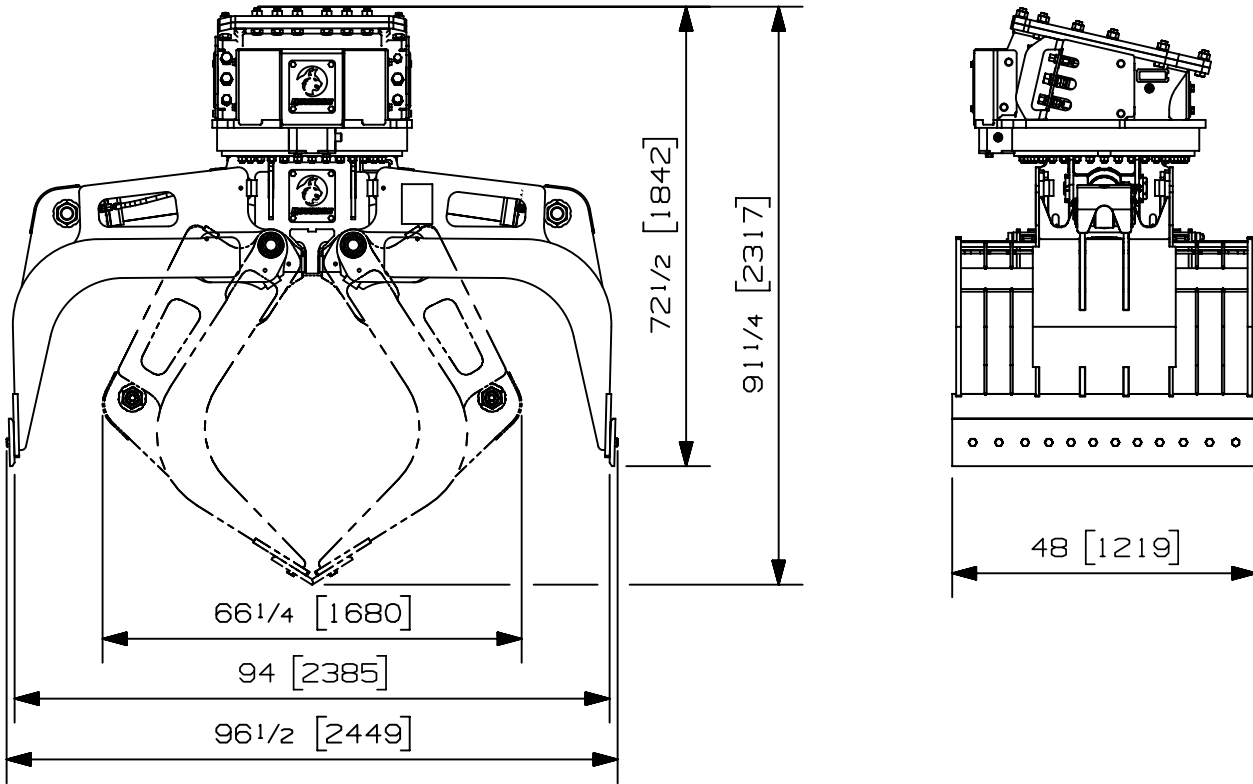


Max load:	- lb	- kg
Volume:	1.50 y <sup>3</sup>	1.15 m <sup>3</sup>
Area tip to tip:	6.77 ft <sup>2</sup>	.63 m <sup>2</sup>
Rotator lifting capacity:	130000 lb	58967 kg
Torque at relief pressure:	59230 lb-in	6692 Nm
	1800 psi	124 bars
Weight:	5055 lb	2293 kg

Rotator	Maximum pressure: 5000 psi    345 bars	Recommended flow: 13 gpm    49 l/min
Rotator recommended flow will produce a maximum speed of 15 rpm		

Cylinder	Diameter	Recommended pressure	Pressure range	Flow range	Lock valves
Standard	4 " (102 mm)	4000 psi (276 bars)	3000 - 5000 psi (207-345 bars)	25 - 37 gpm (95-140 l/min.)	No

Grapple cylinder maximum flow will theoretically produce a complete grapple open/close cycle in 4 seconds.



Options:

- Load holding valve (20 lbs / 9kg)
- 
- 
- 

web site: [www.rotobec.com](http://www.rotobec.com)

email: [rotobec@rotobec.com](mailto:rotobec@rotobec.com)

**Rotobec Inc.:** Head office serving OEM's and Eastern Canada    Ph: (418) 383-3002 Fax: (418) 383-5334  
**Rotobec West:** Branch serving Western Canada and Western USA    Ph: (250) 765-1161 Fax: (250) 765-0035  
**Rotobec USA:** Branch serving Eastern and Central USA    Ph: (603) 444-2103 Fax: (603) 444-0327