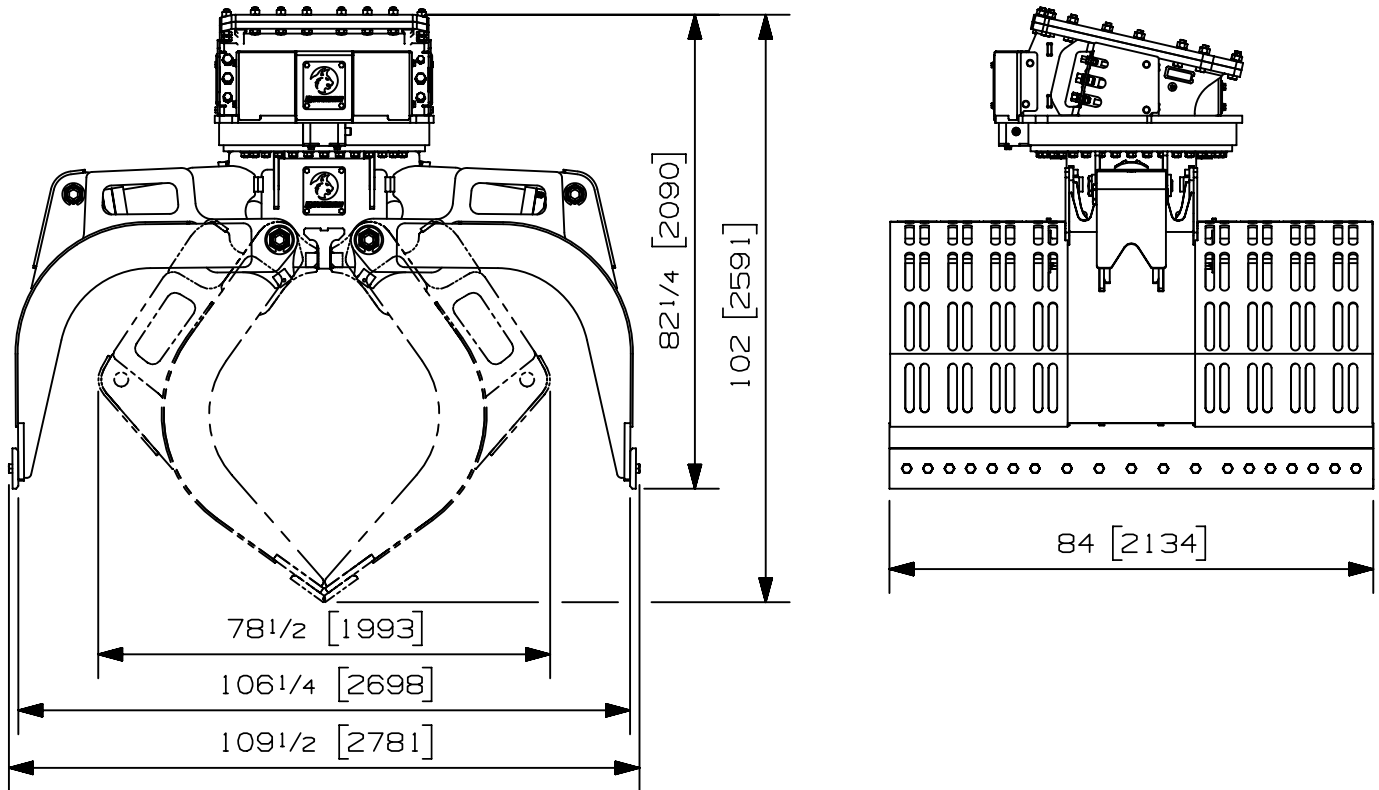


Max load:	- lb	- kg
Volume:	5.90-7.80 y ³	4.51-5.96 m ³
Area tip to tip:	15.05 ft ²	1.40 m ²
Rotator lifting capacity:	170000 lb	77111 kg
Torque at relief pressure:	73230 lb-in	8274 Nm
	1800 psi	124 bars
Weight:	8030 lb	3642 kg

Rotator	Maximum pressure: 5000 psi 345 bars	Recommended flow: 13 gpm 49 l/min
Rotator recommended flow will produce a maximum speed of 12 rpm		

Cylinder	Diameter	Recommended pressure	Pressure range	Flow range	Lock valves
Standard	4 1/2 " (114 mm)	4000 psi (276 bars)	3000 - 5000 psi (207-345 bars)	29 - 41 gpm (110-155 l/min.)	No

Grapple cylinder maximum flow will theoretically produce a complete grapple open/close cycle in 5 seconds.



Options:

- Load Holding valve (20 lbs / 9 kg)
-
-
-

Volume: The first value is calculated with a spillover factor of 1.5 and the second one with a compaction factor of 2.0

web site: www.rotobec.com

email: rotobec@rotobec.com

Rotobec Inc.: Head office serving OEM's and Eastern Canada
Rotobec West: Branch serving Western Canada and Western USA
Rotobec USA: Branch serving Eastern and Central USA

Ph: (418) 383-3002 Fax: (418) 383-5334
 Ph: (250) 765-1161 Fax: (250) 765-0035
 Ph: (603) 444-2103 Fax: (603) 444-0327