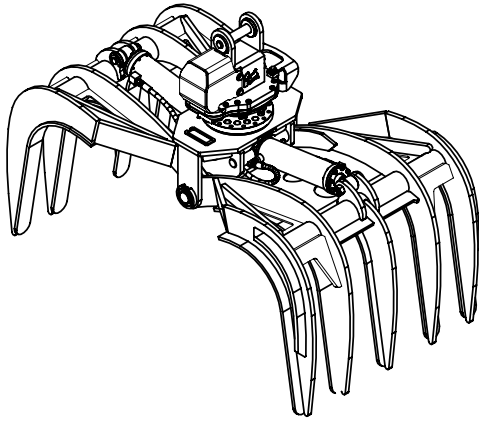


Multi Purpose Grapple 6609MUL RT-222

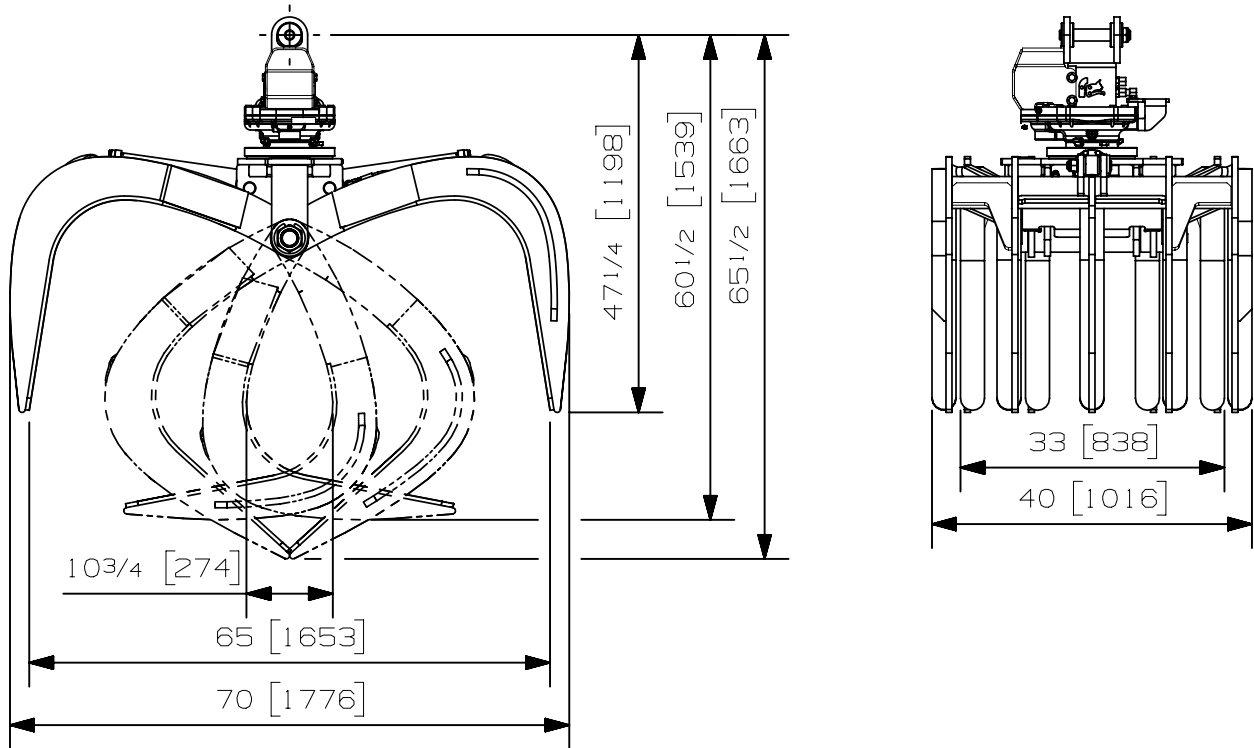


Max load:	n/a lb	n/a kg
Volume:	.98 y ³	.75 m ³
Area tip to tip:	5.30 ft ²	.49 m ²
Rotator lifting capacity:	22000 lb	9979 kg
Torque at relief pressure:	10700 lb-in 913 psi	1209 Nm 63 bars
Weight:	1470 lb	667 kg

Rotator	Maximum pressure: 5000 psi 345 bars	Recommended flow: 10 gpm 38 l/min
Rotator recommended flow will produce a speed of 30 rpm		

Cylinder	Diameter	Recommended pressure	Pressure range	Flow range	Lock valves
Standard	3 1/2 " (89 mm)	3050 psi (210 bars)	2600-3500 psi (179-241 bars)	16-24 gpm (61-91 l/min.)	no
Standard	3 " (76 mm)	4050 psi (279 bars)	3600-4500 psi (248-310 bars)	11-16 gpm (42-61 l/min.)	no

Grapple cylinder maximum flow will theoretically produce a complete grapple open/close cycle in 6 seconds.



Options:

-
-
-
-

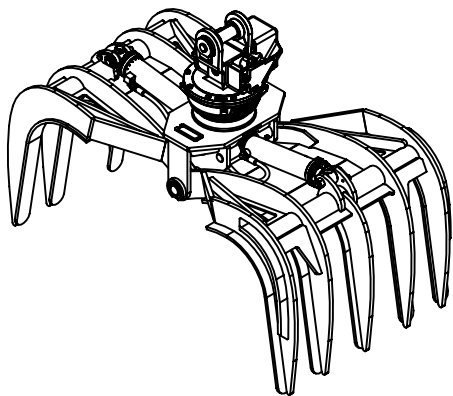
web site: www.rotobec.com

email: rotobec@rotobec.com

Rotobec Inc.: Head office serving OEM's and Eastern Canada Ph: (418) 383-3002 Fax: (418) 383-5334
Rotobec West: Branch serving Western Canada and Western USA Ph: (250) 765-1161 Fax: (250) 765-0035
Rotobec USA: Branch serving Eastern and Central USA Ph: (603) 444-2103 Fax: (603) 444-0327

We reserve the right to change specifications and to improve our products without notice or obligation.

07008-1011
26/02/18 R.G.

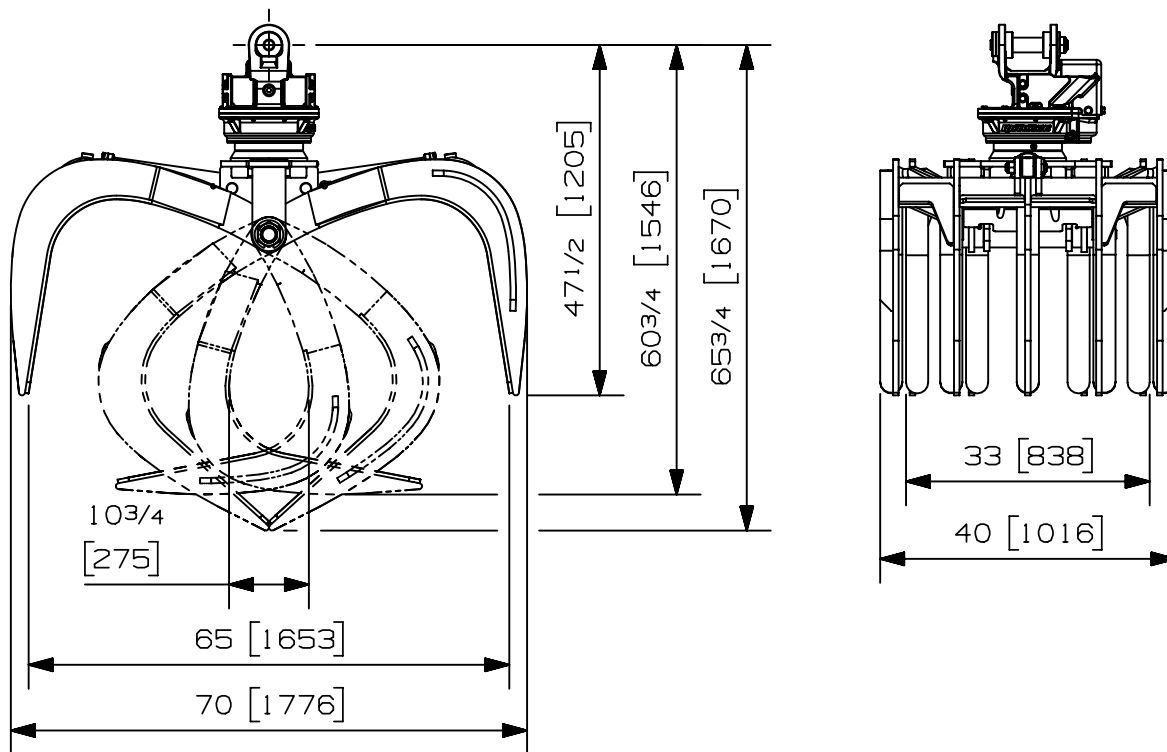


Charge max:	- lb	- kg
Volume:	.80 v ³	.61 m ³
Aire pointe à pointe:	4.28 pi ²	.40 m ²
Capacité de levage du rotateur:	32000 lb	14515 kg
Couple à la pression régulée:	16150 lb-po	1825 Nm
	1450 psi	100 bars
Poids:	1550 lb	703 kg

Rotateur	Pression maximum: 5000 psi	345 bars	Débit recommandé: 9 gpm	34 l/min
Le débit recommandé, pour la rotation générera une vitesse maximum de 30 rpm				

Cylindre	Diametre	Pression Recommandé	Plage de Pression	Plage de débit	Soupape retenue
Standard	3 1/2 " (89 mm)	3050 psi (210 bars)	2600 - 3500 psi (179-241 bars)	16 - 24 gpm (61-91 l/min.)	Non
Optionel	3 " (76 mm)	4050 psi (279 bars)	3600 - 4500 psi (248-310 bars)	11 - 16 gpm (42-61 l/min.)	Non

Le débit maximum pour les cylindres du grappin générera théoriquement un cycle ouvert/fermer en 4 secondes.



Options:

-
-
-
-

site web: www.rotobec.com

courriel: rotobec@rotobec.com

Rotobec Inc.: Bureau chef desservant l'est du Canada et les Manufacturiers d'équipement d'origine

Rotobec West: Filiale desservant l'Ouest du Canada et des États-Unis

Rotobec USA: Filiale desservant l'Est et le Centre des États-Unis

Tél: (418) 383-3002 Fax: (418) 383-5334

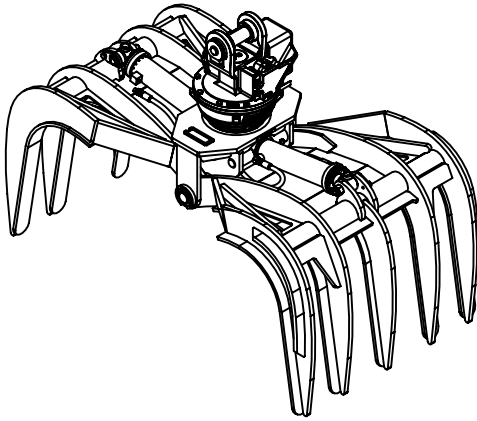
Tél: (250) 765-1161 Fax: (250) 765-0035

Tél: (603) 444-2103 Fax: (603) 444-0327

Nous nous réservons le droit de modifier nos spécifications et d'améliorer nos produits sans autres avis ou obligations.

07011-4506

11/07/2022 A.P.

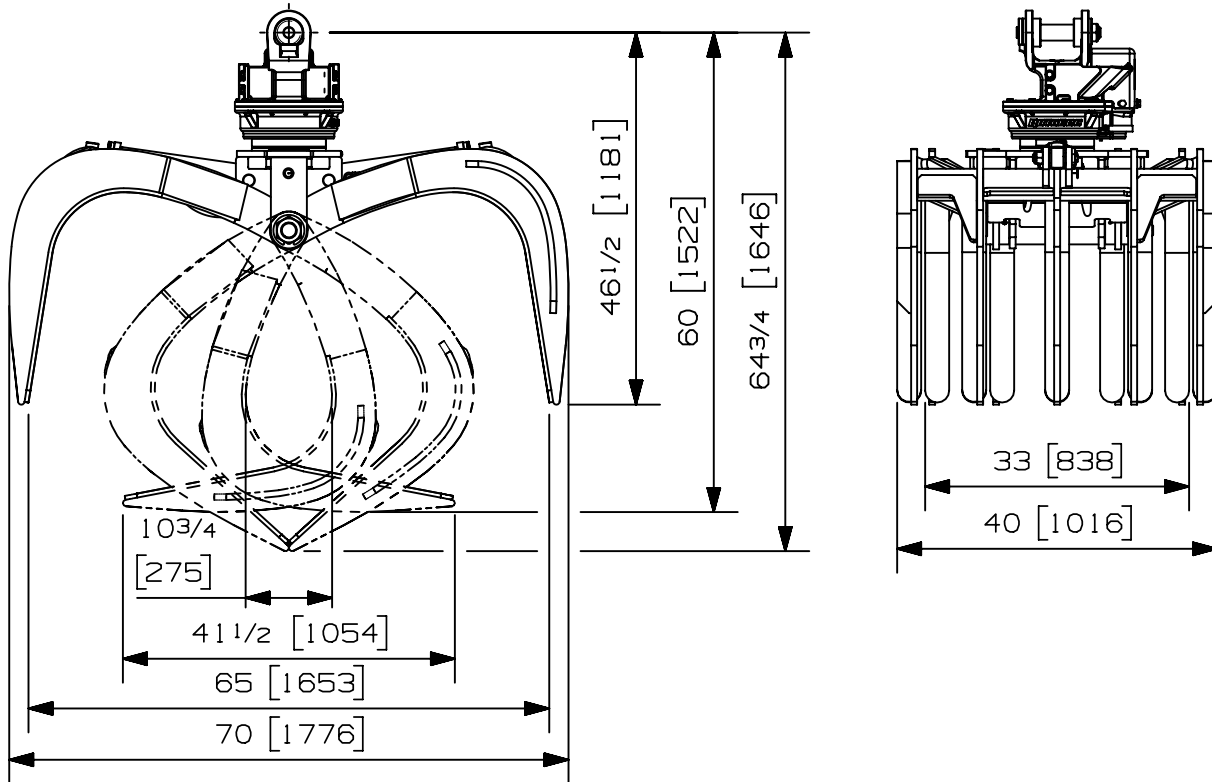


Max load:	n/a lb	n/a kg
Volume:	.98 y ³	.75 m ³
Area tip to tip:	5.30 ft ²	.49 m ²
Rotator lifting capacity:	25000 lb	11340 kg
Torque at relief pressure:	16150 lb-in	1825 Nm
	1450 psi	100 bars
Weight:	1515 lb	687 kg

Rotator	Maximum pressure: 5000 psi 345 bars	Recommended flow: 9 gpm 34 l/min
Rotator recommended flow will produce a maximum speed of 30 rpm		

Cylinder	Diameter	Recommended pressure	Pressure range	Flow range	Lock valves
Standard	3 1/2 " (89 mm)	3050 psi (210 bars)	2600-3500 psi (179-241 bars)	16-24 gpm (61-91 l/min.)	no
Standard	3 " (76 mm)	4050 psi (279 bars)	3600-4500 psi (248-310 bars)	11-16 gpm (42-61 l/min.)	no

Grapple cylinder maximum flow will theoretically produce a complete grapple open/close cycle in 4 seconds.



Options:

-
-
-
-

web site: www.rotobec.com

email: rotobec@rotobec.com

Rotobec Inc.: Head office serving OEM's and Eastern Canada Ph: (418) 383-3002 Fax: (418) 383-5334
Rotobec West: Branch serving Western Canada and Western USA Ph: (250) 765-1161 Fax: (250) 765-0035
Rotobec USA: Branch serving Eastern and Central USA Ph: (603) 444-2103 Fax: (603) 444-0327

We reserve the right to change specifications and to improve our products without notice or obligation.

07008-2747 D.L.
04/01/22