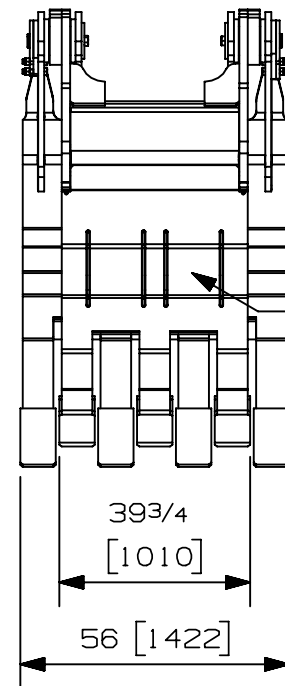
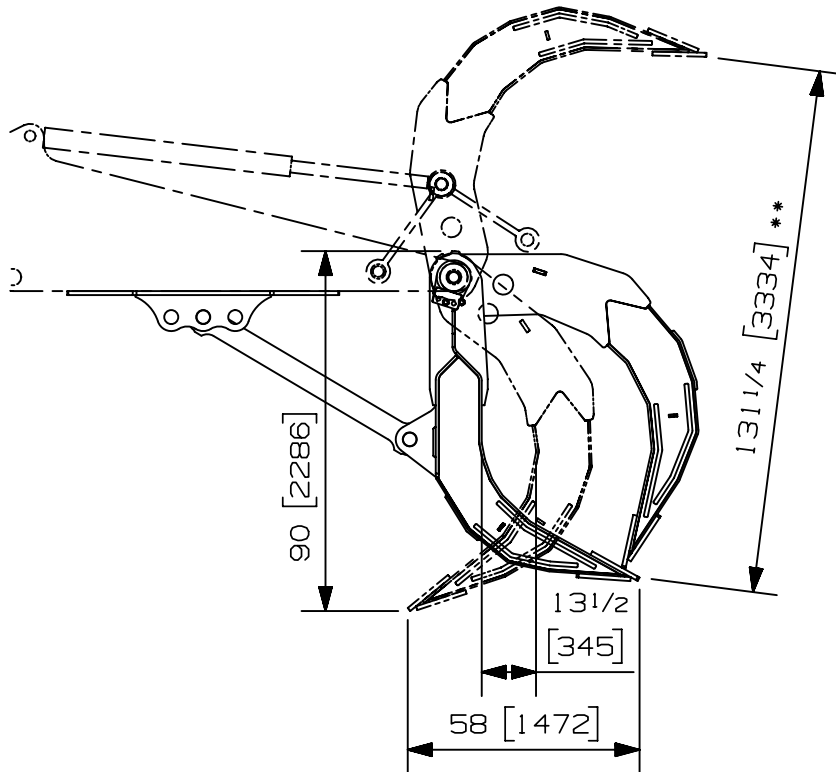


Excavator class:	80000-110000 lb	36-49 Tonnes
Capacity	5.5 y <sup>3</sup>	4.21 m <sup>3</sup>
Weight (w/o lugging):	7268 lb	3297 kg
Installation type:	GENERIC	



LUGGING  
INSTALLATION  
AREA

\*\*JAW OPENING WILL VARY UP TO 10% OF SPECIFIC OPENING,  
DEPENDING UPON THE MODEL EXCAVATOR IT IS MOUNTED TO.

Options:

-TOOL CYLINDER KIT

-  
-  
-

web site: [www.rotobec.com](http://www.rotobec.com)

email: [rotobec@rotobec.com](mailto:rotobec@rotobec.com)

**Rotobec Inc.:** Head office serving OEM's and Eastern Canada Ph: (418) 383-3002 Fax: (418) 383-5334  
**Rotobec West:** Branch serving Western Canada and Western USA Ph: (250) 765-1161 Fax: (250) 765-0035  
**Rotobec USA:** Branch serving Eastern and Central USA Ph: (603) 444-2103 Fax: (603) 444-0327

We reserve the right to change specifications and to improve our products without notice or obligation.

07008-2325  
25/04/18 J-M.L.