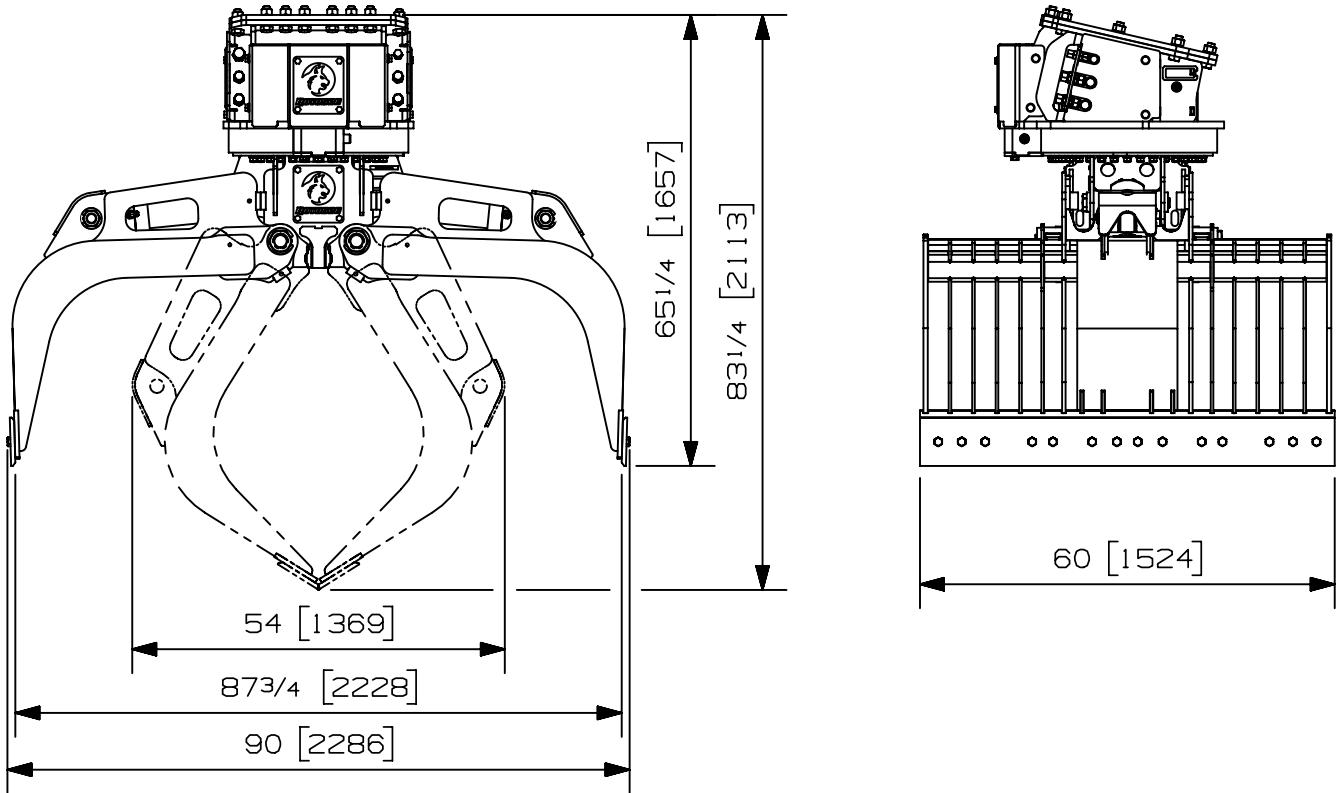


Max load:	- lb	- kg
Volume:	2.50-3.30 y ³	1.91-2.52 m ³
Area tip to tip:	9.00 ft ²	.84 m ²
Rotator lifting capacity:	90000 lb	40823 kg
Torque at relief pressure:	51150 lb-in	5779 Nm
	1800 psi	124 bars
Weight:	3695 lb	1676 kg

Rotator	Maximum pressure: 5000 psi 345 bars	Recommended flow: 12 gpm 45 l/min
Rotator recommended flow will produce a maximum speed of 15 rpm		

Cylinder	Diameter	Recommended pressure	Pressure range	Flow range	Lock valves
Standard	3 1/2 " (89 mm)	4000 psi (276 bars)	3000 - 5000 psi (207-345 bars)	14 - 20 gpm (53-76 l/min.)	No

Grapple cylinder maximum flow will theoretically produce a complete grapple open/close cycle in 4 seconds.



Options:

- Load Holding valve (20 lbs / 9 kg)
-
-
-

Volume: the first value is calculated with a spillover factor of 1.5 and the second one with a compaction factor of 2.0

web site: www.rotobec.com

email: rotobec@rotobec.com

Rotobec Inc.: Head office serving OEM's and Eastern Canada Ph: (418) 383-3002 Fax: (418) 383-5334
Rotobec West: Branch serving Western Canada and Western USA Ph: (250) 765-1161 Fax: (250) 765-0035
Rotobec USA: Branch serving Eastern and Central USA Ph: (603) 444-2103 Fax: (603) 444-0327

We reserve the right to change specifications and to improve our products without notice or obligation.

07008-3593
18/05/21 D.L.