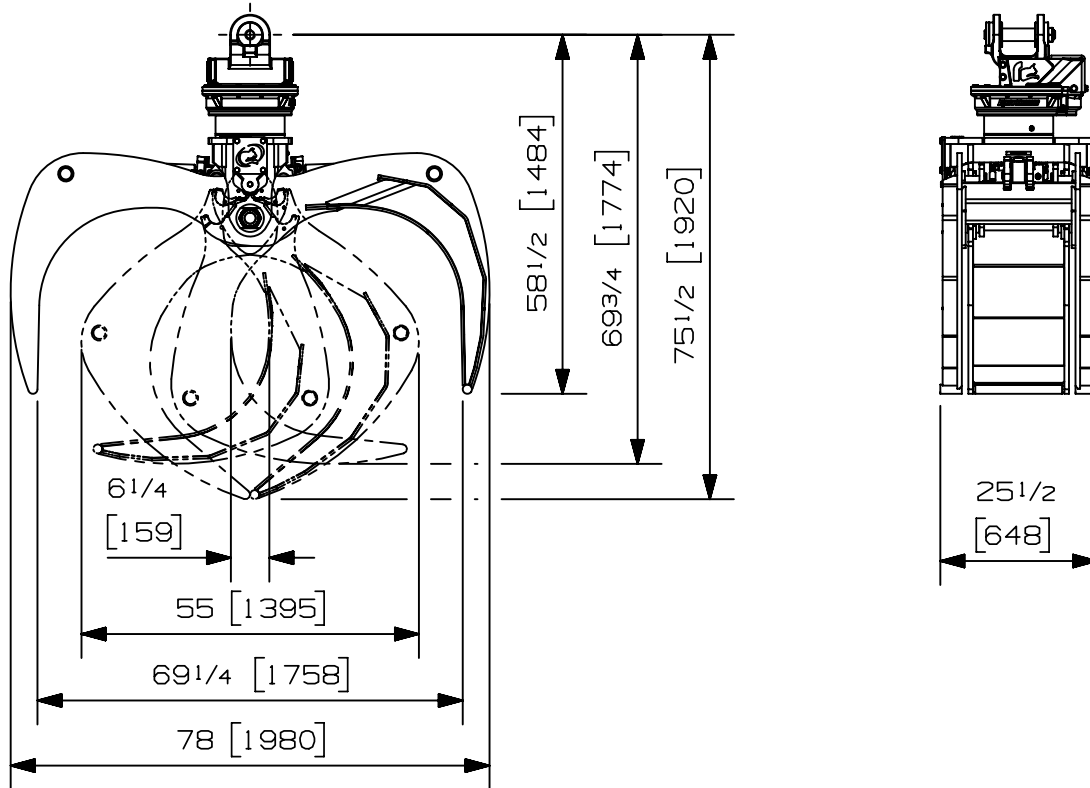


Max load:	n/a lb	n/a kg
Volume:	.40 cord of 8 ft	1.45 m ³
Area tip to tip:	6.45 ft ²	.60 m ²
Rotator lifting capacity:	50000 lb	22680 kg
Torque at relief pressure:	23260 lb-in	2628 Nm
	1810 psi	125 bars
Weight:	1940 lb	880 kg

Rotator	Maximum pressure: 5000 psi 345 bars	Recommended flow: 9 gpm 34 l/min
Rotator recommended flow will produce a maximum speed of 25 rpm		

Cylinder	Diameter	Recommended pressure	Pressure range	Flow range	Lock valves
Standard	3 1/2 " (89 mm)	4250 psi (293 bars)	3500-5000 psi (241-345 bars)	16-24 gpm (61-91 l/min.)	no

Grapple cylinder maximum flow will theoretically produce a complete grapple open/close cycle in 4 seconds.



Options:

- Leveling plate (100 lbs / 45 kg)
- Load holding valve on cylinders (9 lbs / 4 kg)
-
-

web site: www.rotobec.com

email: rotobec@rotobec.com

Rotobec Inc.: Head office serving OEM's and Eastern Canada Ph: (418) 383-3002 Fax: (418) 383-5334
Rotobec West: Branch serving Western Canada and Western USA Ph: (250) 765-1161 Fax: (250) 765-0035
Rotobec USA: Branch serving Eastern and Central USA Ph: (603) 444-2103 Fax: (603) 444-0327