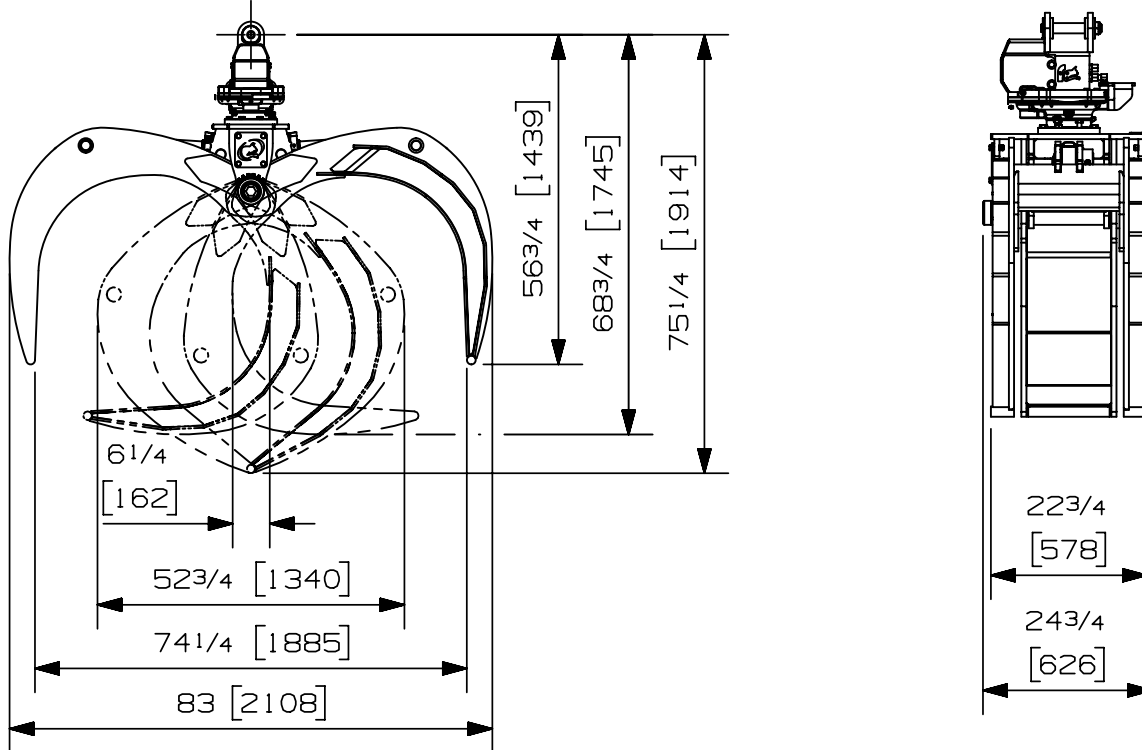


Max load:	n/a lb	n/a kg
Volume:	.47 cord of 8 ft	1.70 m ³
Area tip to tip:	7.50 ft ²	.70 m ²
Rotator lifting capacity:	22000 lb	9979 kg
Torque at relief pressure:	10700 lb-in 913 psi	1209 Nm 63 bars
Weight:	1405 lb	637 kg

Rotator	Maximum pressure: 5000 psi 345 bars	Recommended flow: 10 gpm 38 l/min
Rotator recommended flow will produce a maximum speed of 30 rpm		

Cylinder	Diameter	Recommended pressure	Pressure range	Flow range	Lock valves
Standard	3 " (76 mm)	4300 psi (296 bars)	3600-5000 psi (248-345 bars)	11-17 gpm (42-64 l/min.)	no
Standard	3 1/2 " (89 mm)	3000 psi (207 bars)	2500-3500 psi (172-241 bars)	16-25 gpm (61-95 l/min.)	no

Grapple cylinder maximum flow will theoretically produce a complete grapple open/close cycle in 4 seconds.



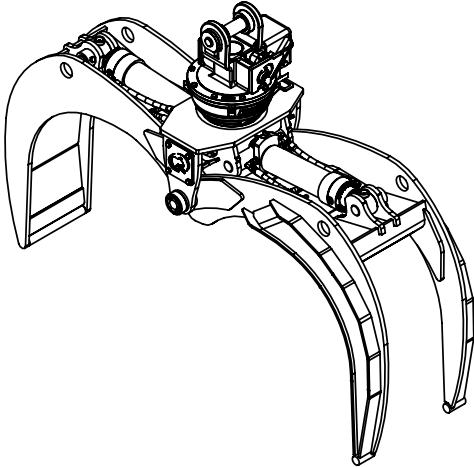
Options:

- Leveling plate (N/A)
- Closed wide jaw (35 lbs / 16 kg)
- Load holding valve on cylinders (7 lbs / 3 kg)

web site: www.rotobec.com

email: rotobec@rotobec.com

Rotobec Inc.: Head office serving OEM's and Eastern Canada Ph: (418) 383-3002 Fax: (418) 383-5334
Rotobec West: Branch serving Western Canada and Western USA Ph: (250) 765-1161 Fax: (250) 765-0035
Rotobec USA: Branch serving Eastern and Central USA Ph: (603) 444-2103 Fax: (603) 444-0327

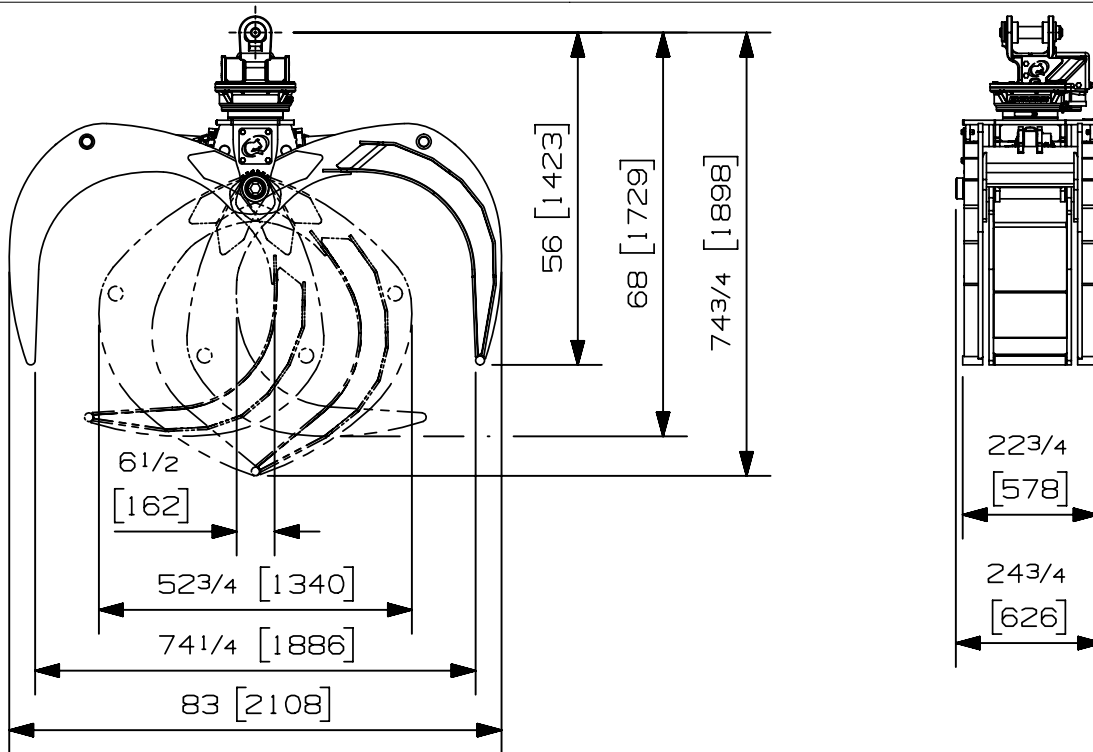


Max load:	n/a lb	n/a kg
Volume:	.47 cord of 8 ft	1.70 m ³
Area tip to tip:	7.50 ft ²	.70 m ²
Rotator lifting capacity:	25000 lb	11340 kg
Torque at relief pressure:	16150 lb-in	1825 Nm
	1450 psi	100 bars
Weight:	1450 lb	658 kg

Rotator	Maximum pressure: 5000 psi 345 bars	Recommended flow: 9 gpm 34 l/min
Rotator recommended flow will produce a speed of 30 rpm		

Cylinder	Diameter	Recommended pressure	Pressure range	Flow range	Lock valves
Standard	3 " (76 mm)	4300 psi (296 bars)	3600-5000 psi (248-345 bars)	11-17 gpm (42-64 l/min.)	no
Standard	3 1/2 " (89 mm)	3000 psi (207 bars)	2500-3500 psi (172-241 bars)	16-25 gpm (61-95 l/min.)	no

Grapple cylinder maximum flow will theoretically produce a complete grapple open/close cycle in 4 seconds.



Options:

- Leveling plate (N/A)
- Closed wide jaw (35 lbs / 16 kg)
- Load holding valve on cylinders (7 lbs / 3 kg)
-

web site: www.rotobec.com

email: rotobec@rotobec.com

Rotobec Inc.: Head office serving OEM's and Eastern Canada Ph: (418) 383-3002 Fax: (418) 383-5334
Rotobec West: Branch serving Western Canada and Western USA Ph: (250) 765-1161 Fax: (250) 765-0035
Rotobec USA: Branch serving Eastern and Central USA Ph: (603) 444-2103 Fax: (603) 444-0327

We reserve the right to change specifications and to improve our products without notice or obligation.

07005-3801
22/08/18 D.L.