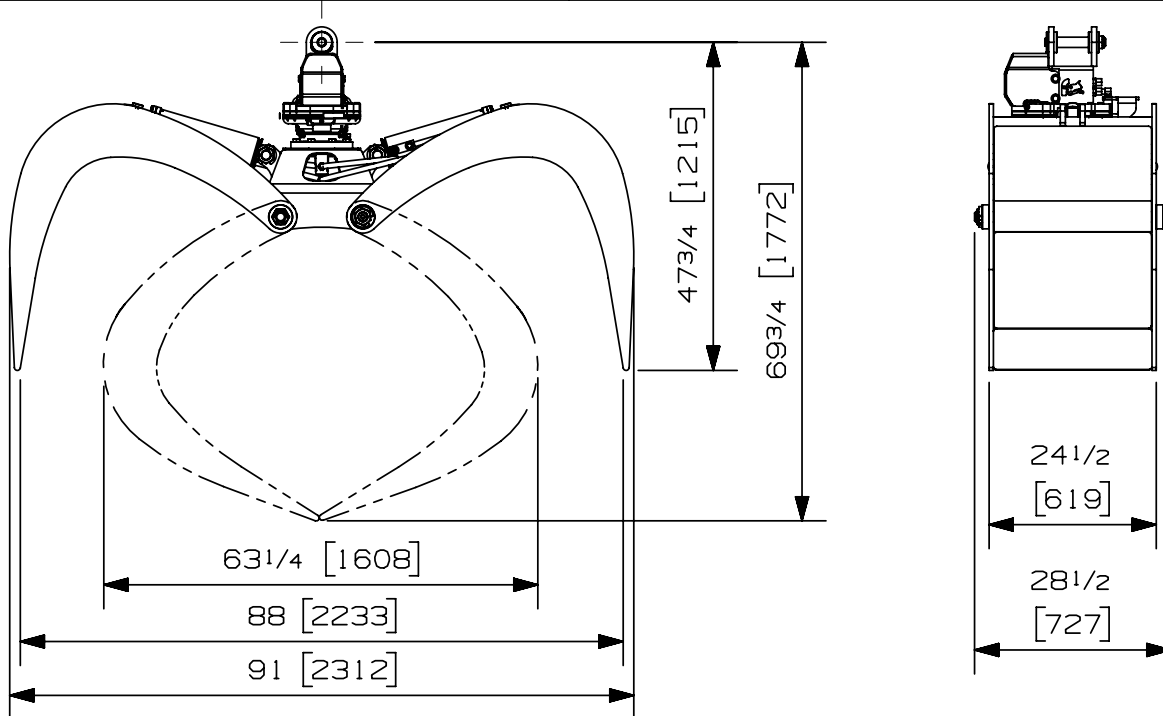


Max load:	n/a lb	n/a kg
Volume:	.61 cord of 8 ft	2.19 m ³
Area tip to tip:	9.69 ft ²	.90 m ²
Rotator lifting capacity:	22000 lb	9979 kg
Torque at relief pressure:	10700 lb-in 913 psi	1209 Nm 63 bars
Weight:	1230 lb	558 kg

Rotator	Maximum pressure: 5000 psi 345 bars	Recommended flow: 10 gpm 38 l/min
Rotator recommended flow will produce a speed of 30 rpm		

Cylinder	Diameter	Recommended pressure	Pressure range	Flow range	Lock valves
Standard	3 " (76 mm)	4050 psi (279 bars)	3600-4500 psi (248-310 bars)	10-15 gpm (38-57 l/min.)	no
Standard	3 1/2 " (89 mm)	3050 psi (210 bars)	2600-3500 psi (179-241 bars)	15-22 gpm (57-83 l/min.)	no
Standard	4 " (102 mm)	2250 psi (155 bars)	2000-2500 psi (138-172 bars)	20-30 gpm (76-114 l/min.)	no

Grapple cylinder maximum flow will theoretically produce a complete grapple open/close cycle in 4 seconds.



Options:

- Optional holding chain (135 lb / 61 kg)
- Leveling plate (140 lb / 64 kg)
- Synchros gears (155 lb / 70 kg)

web site: www.rotobec.com

email: rotobec@rotobec.com

Rotobec Inc.: Head office serving OEM's and Eastern Canada Ph: (418) 383-3002 Fax: (418) 383-5334
Rotobec West: Branch serving Western Canada and Western USA Ph: (250) 765-1161 Fax: (250) 765-0035
Rotobec USA: Branch serving Eastern and Central USA Ph: (603) 444-2103 Fax: (603) 444-0327