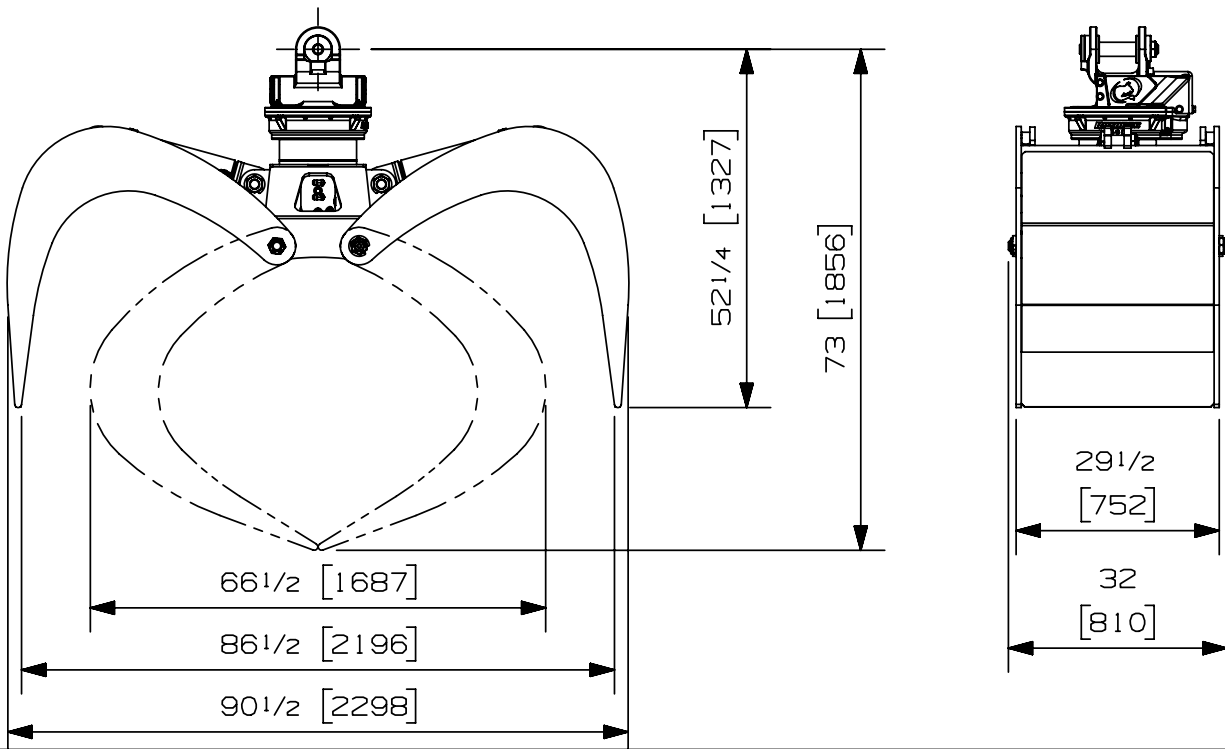


<b>Max load:</b>	n/a lb	n/a kg
<b>Volume:</b>	.30 cord of 8 ft	1.10 m <sup>3</sup>
<b>Area tip to tip:</b>	4.84 ft <sup>2</sup>	.45 m <sup>2</sup>
<b>Rotator lifting capacity:</b>	50000 lb	22680 kg
<b>Torque at relief pressure:</b>	18630 lb-in	2105 Nm
	1450 psi	100 bars
<b>Weight:</b>	2255 lb	1023 kg

<b>Rotator</b>	<b>Maximum pressure:</b> 5000 psi    345 bars	<b>Recommended flow:</b> 9 gpm    34 l/min
Rotator recommended flow will produce a speed of 25 rpm		

Cylinder	Diameter	Recommended pressure	Pressure range	Flow range	Lock valves
Standard	4 1/2 " (114 mm)	2500 psi (172 bars)	2000-3000 psi (138-207 bars)	26-39 gpm (98-148 l/min.)	no
Standard	3 1/2 " (89 mm)	3800 psi (262 bars)	3100-4500 psi (214-310 bars)	15-22 gpm (57-83 l/min.)	no

Grapple cylinder maximum flow will theoretically produce a complete grapple open/close cycle in 4 seconds.



**Options:**

- Optional holding chain (135 lbs / 60 kg)
- Leveling plate (170 lbs / 80 kg)
- Synchro gears (130 lbs / 60 kg)

web site: [www.rotobec.com](http://www.rotobec.com)

email: [rotobec@rotobec.com](mailto:rotobec@rotobec.com)

**Rotobec Inc.:** Head office serving OEM's and Eastern Canada    Ph: (418) 383-3002 Fax: (418) 383-5334  
**Rotobec West:** Branch serving Western Canada and Western USA    Ph: (250) 765-1161 Fax: (250) 765-0035  
**Rotobec USA:** Branch serving Eastern and Central USA    Ph: (603) 444-2103 Fax: (603) 444-0327

We reserve the right to change specifications and to improve our products without notice or obligation.

07004-6109  
26/04/17 D.L.