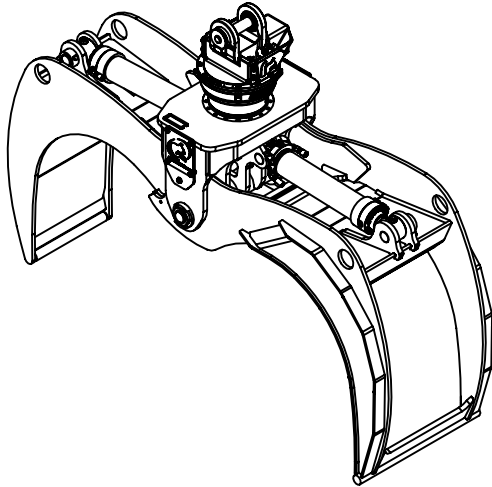


## Combination Grapple 100CHD RT-502-STDHT

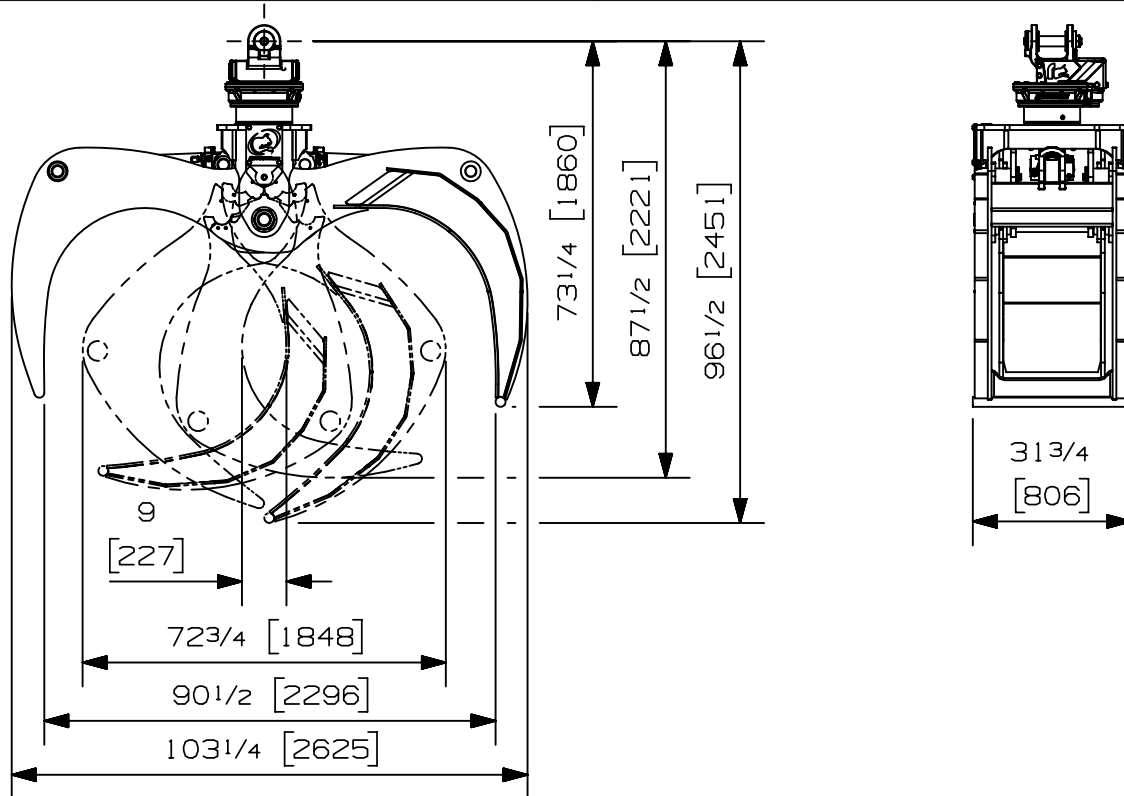


<b>Max load:</b>	n/a lb	n/a kg
<b>Volume:</b>	.67 cord of 8 ft	2.43 m <sup>3</sup>
<b>Area tip to tip:</b>	10.76 ft <sup>2</sup>	1.00 m <sup>2</sup>
<b>Rotator lifting capacity:</b>	50000 lb	22680 kg
<b>Torque at relief pressure:</b>	23260 lb-in	2628 Nm
	1810 psi	125 bars
<b>Weight:</b>	3490 lb	1583 kg

<b>Rotator</b>	<b>Maximum pressure:</b> 5000 psi    345 bars	<b>Recommended flow:</b> 9 gpm    34 l/min
Rotator recommended flow will produce a maximum speed of 25 rpm		

Cylinder	Diameter	Recommended pressure	Pressure range	Flow range	Lock valves
Standard	4 " (102 mm)	4250 psi (293 bars)	3500-5000 psi (241-345 bars)	30-42 gpm (114-159 l/min.)	no

Grapple cylinder maximum flow will theoretically produce a complete grapple open/close cycle in 5 seconds.



**Options:**

- Leveling plate (145 lbs / 66 kg)
- Load holding valve on cylinders (10 lbs / 5 kg)
- 
- 

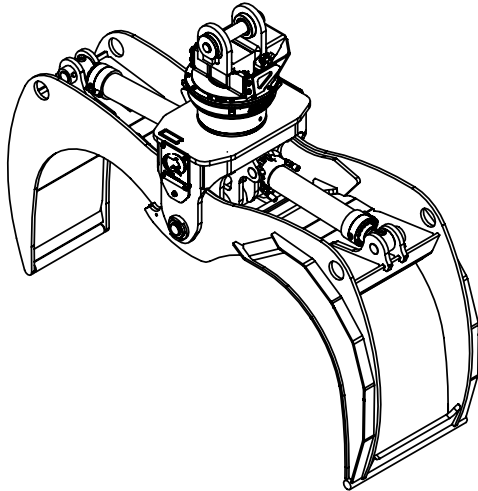
web site: [www.rotobec.com](http://www.rotobec.com)

email: [rotobec@rotobec.com](mailto:rotobec@rotobec.com)

**Rotobec Inc.:** Head office serving OEM's and Eastern Canada    Ph: (418) 383-3002 Fax: (418) 383-5334  
**Rotobec West:** Branch serving Western Canada and Western USA    Ph: (250) 765-1161 Fax: (250) 765-0035  
**Rotobec USA:** Branch serving Eastern and Central USA    Ph: (603) 444-2103 Fax: (603) 444-0327

We reserve the right to change specifications and to improve our products without notice or obligation.

07006-3037  
01/10/18 D.L.

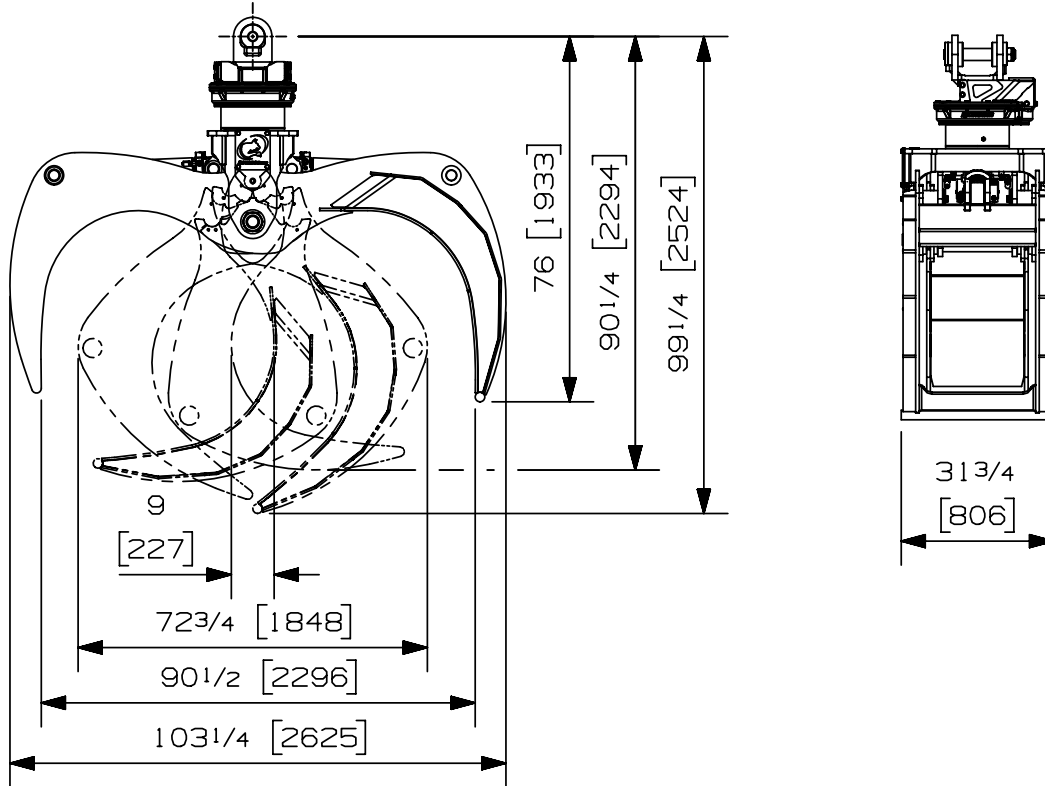


<b>Max load:</b>	n/a lb	n/a kg
<b>Volume:</b>	.67 cord 8 ft	2.43 m <sup>3</sup>
<b>Area tip to tip:</b>	10.76 ft <sup>2</sup>	1.00 m <sup>2</sup>
<b>Rotator lifting capacity:</b>	100000 lb	45359 kg
<b>Torque at relief pressure:</b>	27910 lb-in	3153 Nm
	1810 psi	125 bars
<b>Weight:</b>	3690 lb	1674 kg

<b>Rotator</b>	<b>Maximum pressure:</b> 5000 psi    345 bars	<b>Recommended flow:</b> 8 gpm    30 l/min
Rotator recommended flow will produce a speed of 20 rpm		

Cylinder	Diameter	Recommended pressure	Pressure range	Flow range	Lock valves
Standard	4 " (102 mm)	4250 psi (293 bars)	3500-5000 psi (241-345 bars)	30-42 gpm (114-159 l/min.)	no

Grapple cylinder maximum flow will theoretically produce a complete grapple open/close cycle in 5 seconds.



**Options:**

- Leveling plate (145 lbs / 66 kg)
- Load holding valve on cylinders (10 lbs / 5 kg)
- 
- 

web site: [www.rotobec.com](http://www.rotobec.com)

email: [rotobec@rotobec.com](mailto:rotobec@rotobec.com)

**Rotobec Inc.:** Head office serving OEM's and Eastern Canada    Ph: (418) 383-3002 Fax: (418) 383-5334  
**Rotobec West:** Branch serving Western Canada and Western USA    Ph: (250) 765-1161 Fax: (250) 765-0035  
**Rotobec USA:** Branch serving Eastern and Central USA    Ph: (603) 444-2103 Fax: (603) 444-0327

We reserve the right to change specifications and to improve our products without notice or obligation.

07006-4070  
01/10/18 D.L.