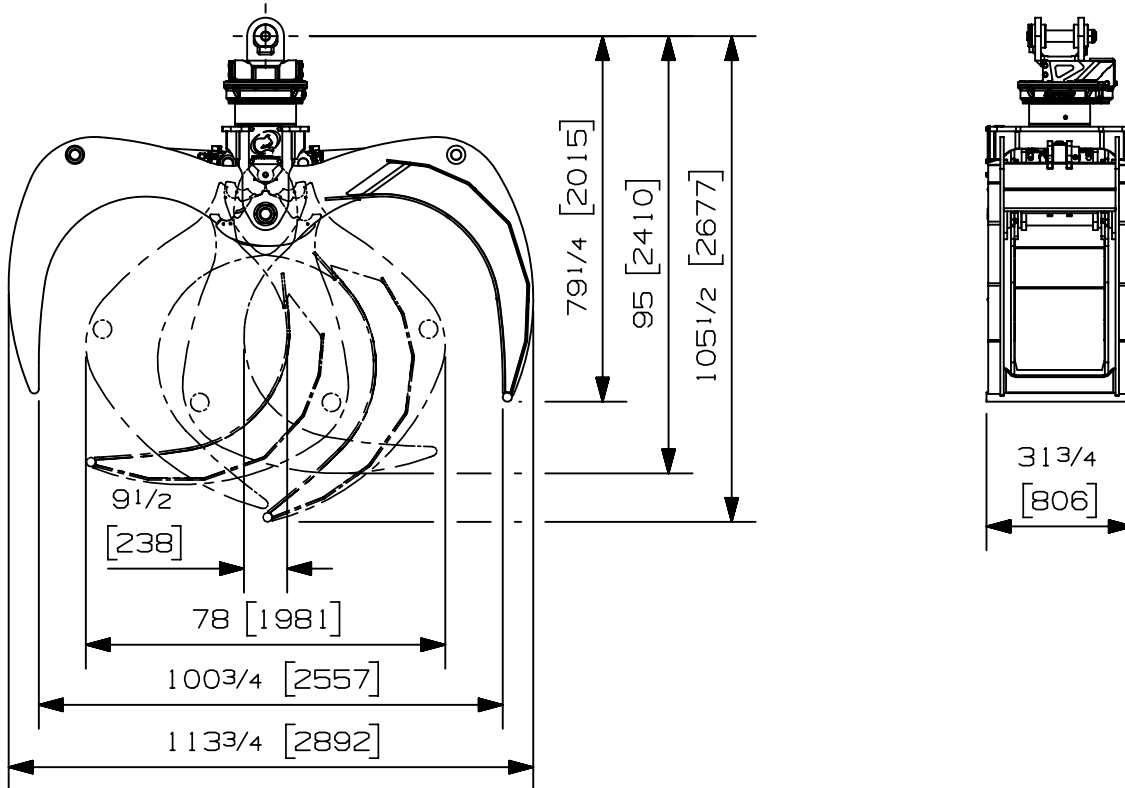


Max load:	n/a lb	n/a kg
Volume:	.84 cord of 8 ft	3.04 m ³
Area tip to tip:	13.45 ft ²	1.25 m ²
Rotator lifting capacity:	100000 lb	45359 kg
Torque at relief pressure:	27910 lb-in	3153 Nm
	1810 psi	125 bars
Weight:	3935 lb	1785 kg

Rotator	Maximum pressure: 5000 psi 345 bars	Recommended flow: 8 gpm 30 l/min
Rotator recommended flow will produce a maximum speed of 20 rpm		

Cylinder	Diameter	Recommended pressure	Pressure range	Flow range	Lock valves
Standard	4 " (102 mm)	4250 psi (293 bars)	3500-5000 psi (241-345 bars)	30-42 gpm (114-159 l/min.)	no

Grapple cylinder maximum flow will theoretically produce a complete grapple open/close cycle in 5 seconds.



Options:

- Leveling plate (145 lbs / 66 kg)
- Load holding valve on cylinders (10 lbs / 5 kg)
-
-

web site: www.rotobec.com

email: rotobec@rotobec.com

Rotobec Inc.: Head office serving OEM's and Eastern Canada Ph: (418) 383-3002 Fax: (418) 383-5334
Rotobec West: Branch serving Western Canada and Western USA Ph: (250) 765-1161 Fax: (250) 765-0035
Rotobec USA: Branch serving Eastern and Central USA Ph: (603) 444-2103 Fax: (603) 444-0327

We reserve the right to change specifications and to improve our products without notice or obligation.

07006-3038
01/10/18 D.L.