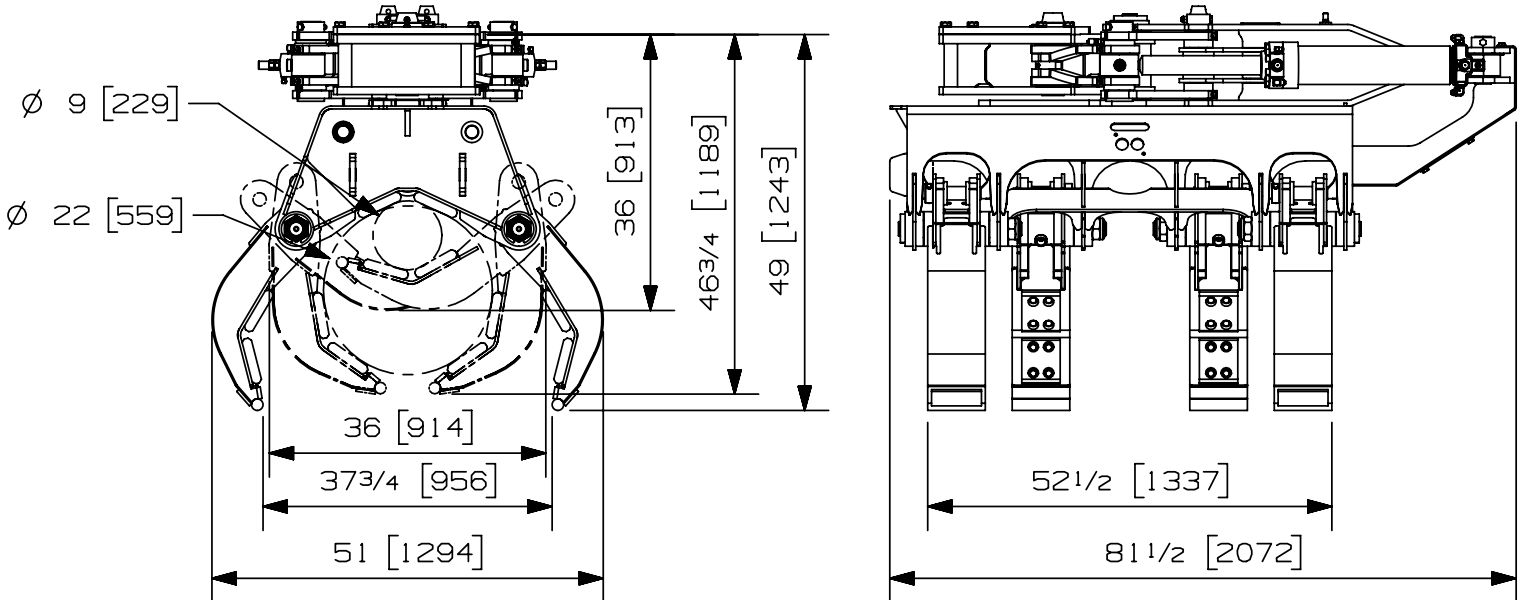


Max load:	- lb	- kg
Volume:	- y ³	- m ³
Area tip to tip:	- ft ²	- m ²
Rotator lifting capacity:	- lb	- kg
Torque at relief pressure:	68415 ft-lb 5000 psi	92758 Nm 345 bars
Weight:	3045 lb	1384 kg

Rotator	Maximum pressure:	n/a psi	n/a bars	Recommended flow:	n/a gpm	n/a l/min
Rotator recommended flow will produce a speed of 0 rpm						

Cylinder	Diameter	Recommended pressure	Pressure range	Flow range	Lock valves
GRAPPLE	3 " (76 mm)	4250 psi (293 bars)	3500-5000 psi (241-345 bars)	13-17 gpm (49-64 l/min.)	yes
TILT	4 " (102 mm)	4250 psi (293 bars)	3500-5000 psi (241-345 bars)	7-10 gpm (26-38 l/min.)	yes

Grapple cylinder maximum flow will theoretically produce a complete grapple open/close cycle in 6 seconds.



Options:
- Custom lugging

web site: www.rotobec.com

email: rotobec@rotobec.com

Rotobec Inc.: Head office serving OEM's and Eastern Canada Ph: (418) 383-3002 Fax: (418) 383-5334
 Rotobec West: Branch serving Western Canada and Western USA Ph: (250) 765-1161 Fax: (250) 765-0035
 Rotobec USA: Branch serving Eastern and Central USA Ph: (603) 444-2103 Fax: (603) 444-0327

We reserve the right to change specifications and to improve our products without notice or obligation.

C-07005-9721
21/06/16 M.R