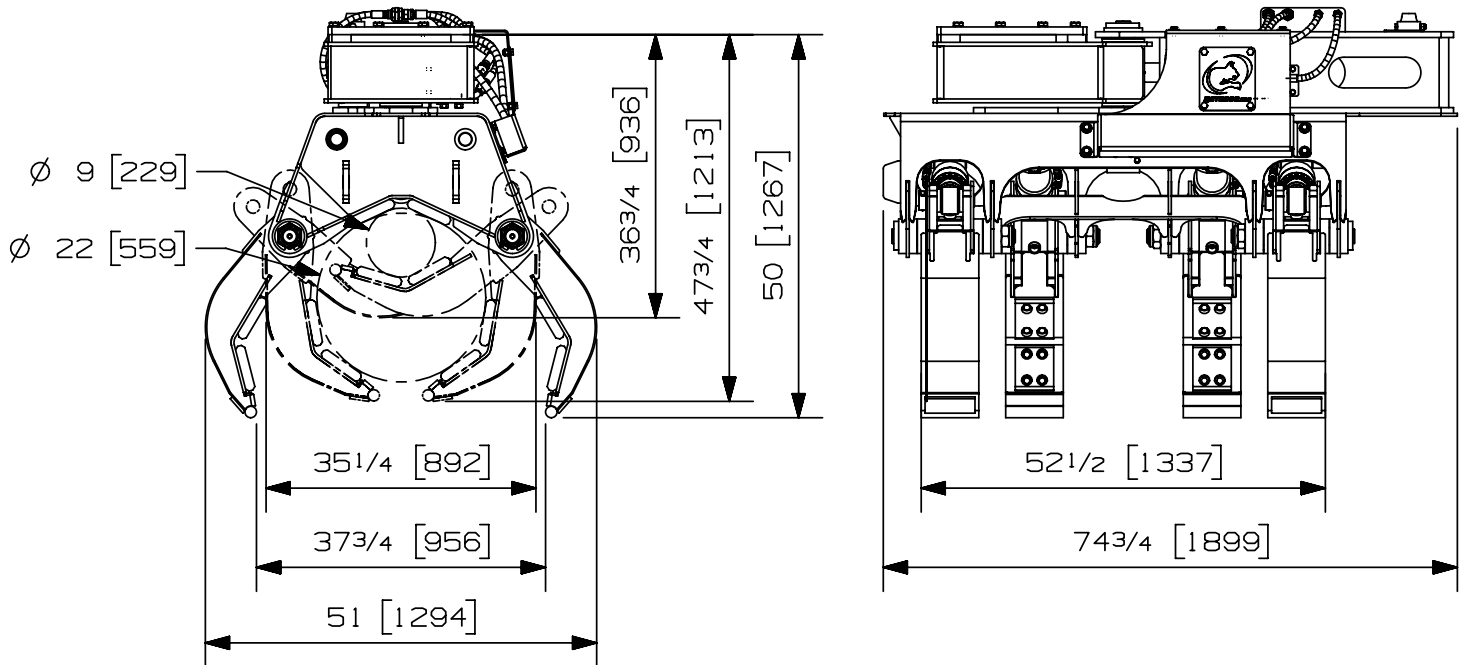


Max load:	8000 lb	3629 kg
Volume:	- y ³	- m ³
Area tip to tip:	- ft ²	- m ²
Rotator lifting capacity:	- lb	- kg
Torque at relief pressure:	51865 ft-lb 5000 psi	70320 Nm 345 bars
Weight:	2535 lb	1098 kg

Rotator	Maximum pressure:	- psi	- bars	Recommended flow:	- gpm	- l/min
Rotator recommended flow will produce a speed of 0 rpm						

Cylinder	Diameter	Recommended pressure	Pressure range	Flow range	Lock valves
GRAPPLE	3 " (76 mm)	4250 psi (293 bars)	3500-5000 psi (241-345 bars)	13-17 gpm (49-64 l/min.)	yes
TILT	4 " (102 mm)	4250 psi (293 bars)	3500-5000 psi (241-345 bars)	7-10 gpm (26-38 l/min.)	no

Grapple cylinder maximum flow will theoretically produce a complete grapple open/close cycle in 6 seconds.



Options:

-Custom lugging on rotator

web site: www.rotobec.com

email: rotobec@rotobec.com

Rotobec Inc.: Head office serving OEM's and Eastern Canada
Rotobec West: Branch serving Western Canada and Western USA
Rotobec USA: Branch serving Eastern and Central USA

Ph: (418) 383-3002 Fax: (418) 383-5334
 Ph: (250) 765-1161 Fax: (250) 765-0035
 Ph: (603) 444-2103 Fax: (603) 444-0327