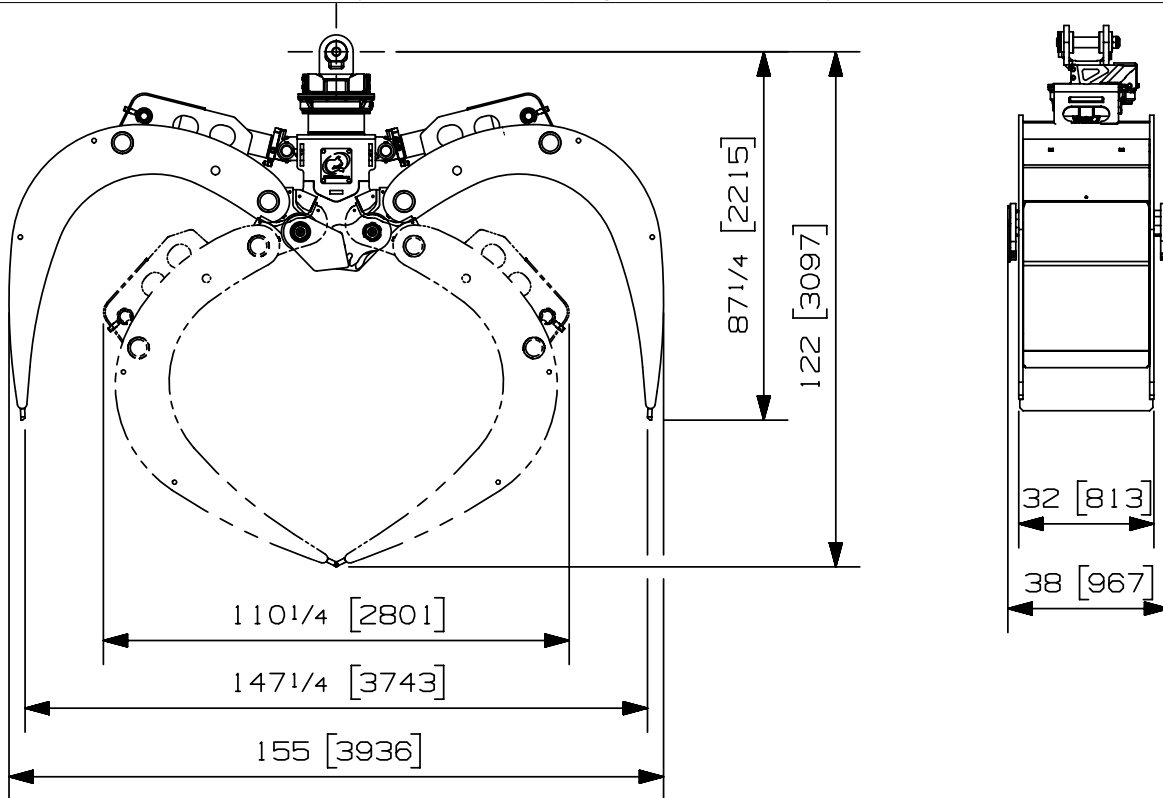


Max load:	n/a lb	n/a kg
Volume:	1.78 cord 8 ft.	6.46 m ³
Area tip to tip:	28.52 ft ²	2.65 m ²
Rotator lifting capacity:	100000 lb	45359 kg
Torque at relief pressure:	27910 lb-in	3153 Nm
	1810 psi	125 bars
Weight:	6100 lb	2767 kg

Rotator	Maximum pressure: 5000 psi 345 bars	Recommended flow: 8 gpm 30 l/min
Rotator recommended flow will produce a speed of 20 rpm		

Cylinder	Diameter	Recommended pressure	Pressure range	Flow range	Lock valves
Standard	4 1/2 " (114 mm)	4250 psi (293 bars)	3500-5000 psi (241-345 bars)	34-46 gpm (129-174 l/min.)	no

Grapple cylinder maximum flow will theoretically produce a complete grapple open/close cycle in 6 seconds.



Options:

- Leveling plate (230 lb / 95 kg)
- Optional holding chain (270 lb / 122 kg)

web site: www.rotobec.com

email: rotobec@rotobec.com

Rotobec Inc.: Head office serving OEM's and Eastern Canada Ph: (418) 383-3002 Fax: (418) 383-5334
Rotobec West: Branch serving Western Canada and Western USA Ph: (250) 765-1161 Fax: (250) 765-0035
Rotobec USA: Branch serving Eastern and Central USA Ph: (603) 444-2103 Fax: (603) 444-0327

We reserve the right to change specifications and to improve our products without notice or obligation.

07006-7289
15/06/17 D.L.