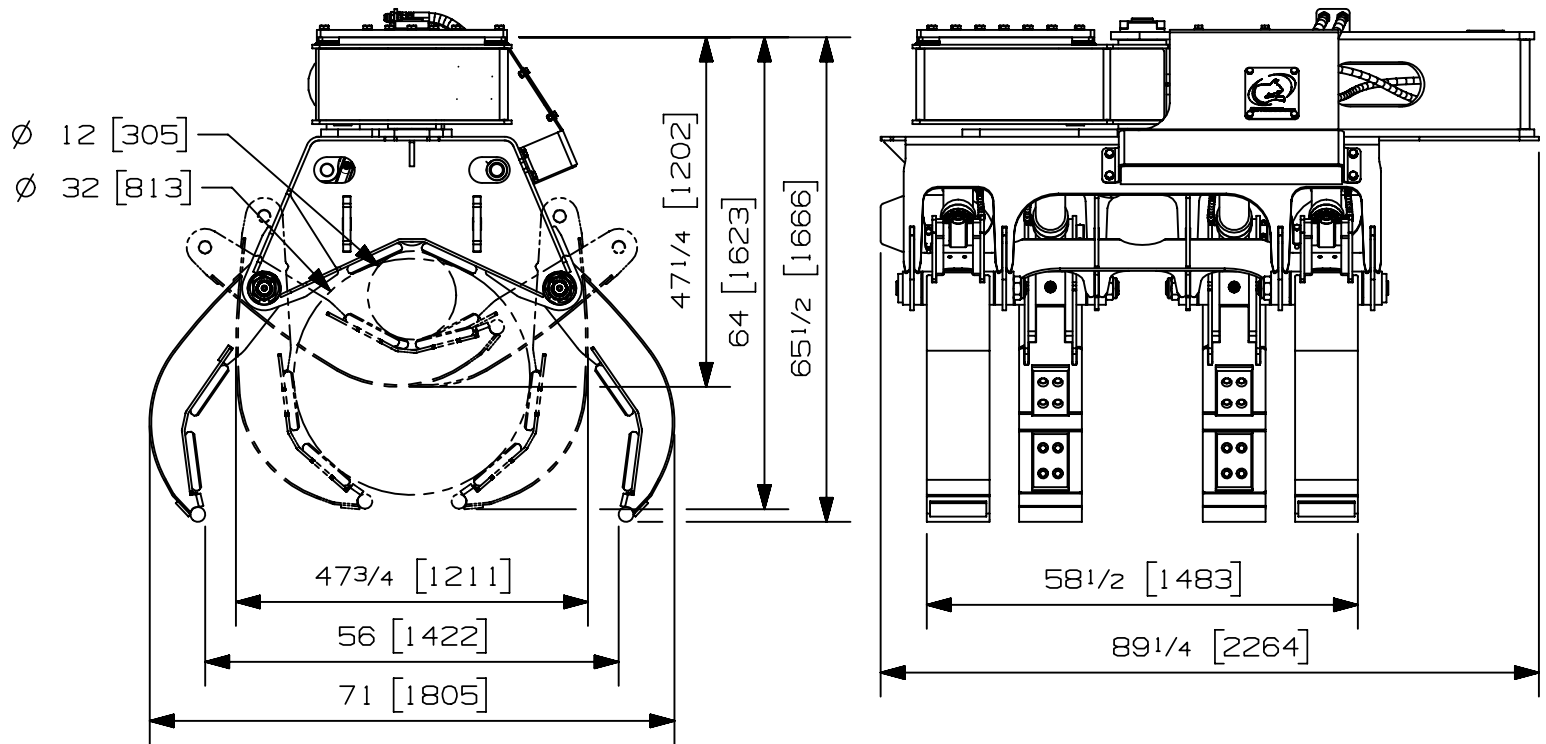


| | | |
|-----------------------------------|-------------------|------------------|
| Max load: | 16000 lb | 7257 kg |
| Volume: | - y ³ | - m ³ |
| Area tip to tip: | - ft ² | - m ² |
| Rotator lifting capacity: | - lb | - kg |
| Torque at relief pressure: | 86410 lb-in | 9763 Nm |
| | 5000 psi | 345 bars |
| Weight: | 4305 lb | 1953 kg |

| | | | | | | |
|--|--------------------------|-------|--------|--------------------------|-------|---------|
| Rotator | Maximum pressure: | - psi | - bars | Recommended flow: | - gpm | - l/min |
| Rotator recommended flow will produce a maximum speed of 0 rpm | | | | | | |

| Cylinder | Diameter | Recommended pressure | Pressure range | Flow range | Lock valves |
|----------|------------------|----------------------|--------------------------------|-----------------------------|-------------|
| Grapple | 3 " (76 mm) | 4250 psi (293 bars) | 3500 - 5000 psi (241-345 bars) | 21 - 29 gpm (79-110 l/min.) | Yes |
| Tilt | 4 1/2 " (114 mm) | 4250 psi (293 bars) | 3500 - 5000 psi (241-345 bars) | 12 - 25 gpm (45-95 l/min.) | Yes |

Grapple cylinder maximum flow will theoretically produce a complete grapple open/close cycle in 6 seconds.



Options:

- Custom lugging on rotator
-
-
-

web site: www.rotobec.com

email: rotobec@rotobec.com

Rotobec Inc.: Head office serving OEM's and Eastern Canada
Rotobec West: Branch serving Western Canada and Western USA
Rotobec USA: Branch serving Eastern and Central USA

Ph: (418) 383-3002 Fax: (418) 383-5334
 Ph: (250) 765-1161 Fax: (250) 765-0035
 Ph: (603) 444-2103 Fax: (603) 444-0327