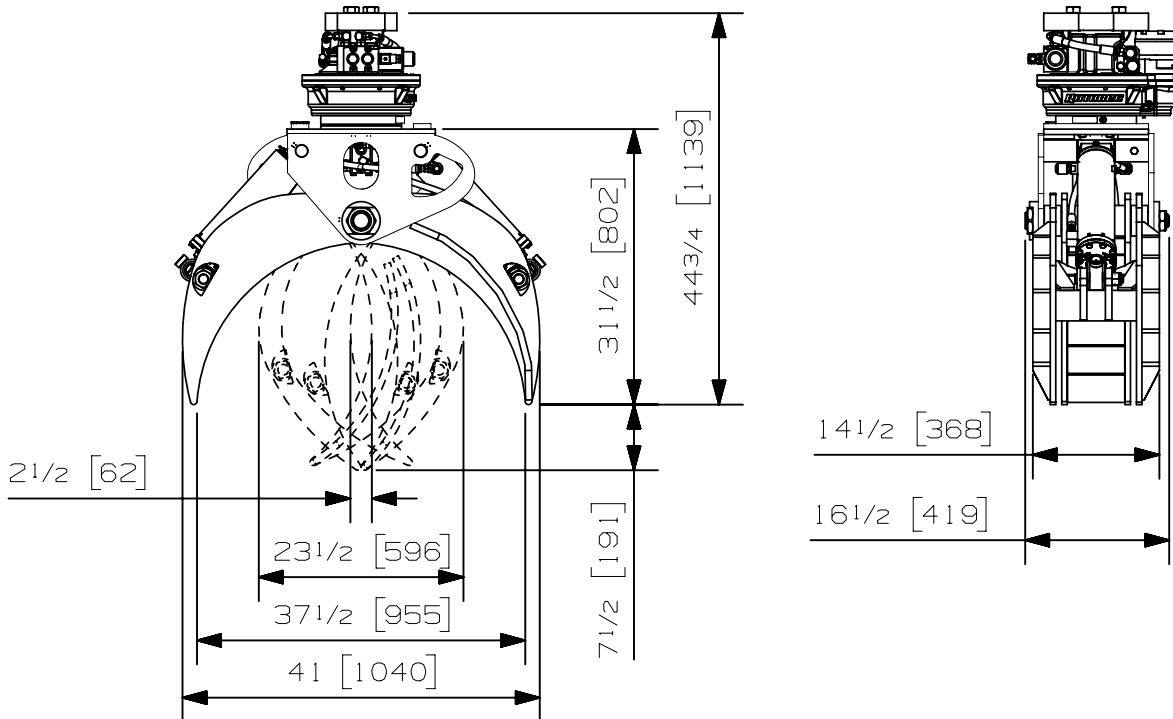


<b>Max load:</b>	n/a lb	n/a kg
<b>Volume:</b>	.06 cord of 8ft.	.22 m <sup>3</sup>
<b>Area tip to tip:</b>	.97 ft <sup>2</sup>	.09 m <sup>2</sup>
<b>Rotator lifting capacity:</b>	25000 lb	11340 kg
<b>Torque at relief pressure:</b>	15720 lb-in	1776 Nm
	913 psi	63 bars
<b>Weight:</b>	770 lb	349 kg

<b>Rotator</b>	<b>Maximum pressure:</b> 4200 psi    290 bars	<b>Recommended flow:</b> 10 gpm    38 l/min
Rotator recommended flow will produce a speed of 21 rpm		

Cylinder	Diameter	Recommended pressure	Pressure range	Flow range	Lock valves
Standard	3 " (76 mm)	3250 psi (224 bars)	2800-3700 psi (193-255 bars)	9-13 gpm (34-49 l/min.)	no
Standard	3 1/2 " (89mm)	2350 psi (162 bars)	2000-2700 psi (138-186 bars)	13-19 gpm (49-72 l/min.)	no

Grapple cylinder maximum flow will theoretically produce a complete grapple open/close cycle in 4 seconds.

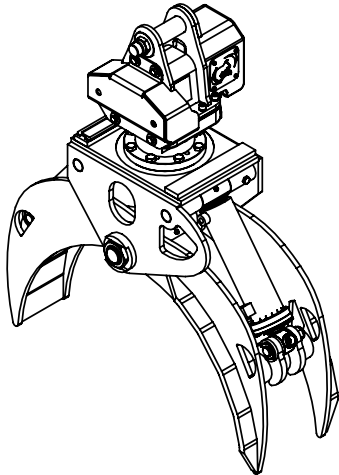


- Options:
- Head protector. (26 lbs/ 12 kg)
  - Log protection package, including shaft on jaw tips and protection strips on jaw edges.
  - Shaft on jaw tips to prevent log damage.
  - Impact protection relief valve.
  - Custom bolt-on lugging on rotator (add 83 lbs/ 38 kg)

web site: [www.rotobec.com](http://www.rotobec.com)

email: [rotobec@rotobec.com](mailto:rotobec@rotobec.com)

**Rotobec Inc.:** Head office serving OEM's and Eastern Canada    Ph: (418) 383-3002 Fax: (418) 383-5334  
**Rotobec West:** Branch serving Western Canada and Western USA    Ph: (250) 765-1161 Fax: (250) 765-0035  
**Rotobec USA:** Branch serving Eastern and Central USA    Ph: (603) 444-2103 Fax: (603) 444-0327

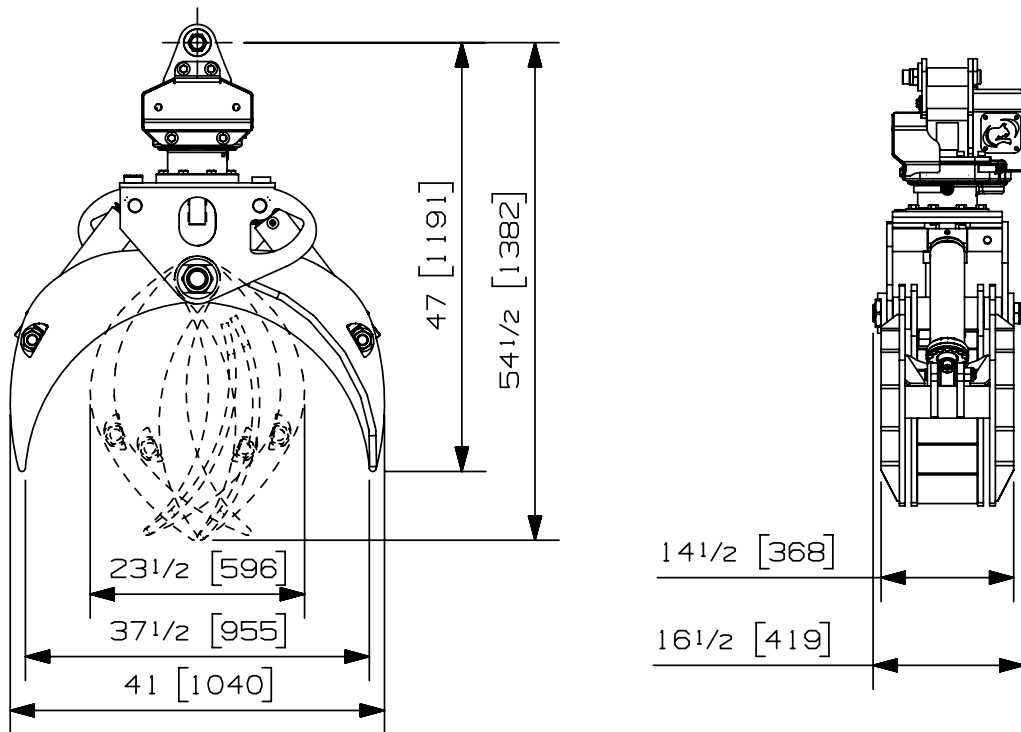


<b>Max load:</b>	N/A lb	N/A kg
<b>Volume:</b>	.06 cord of 8 ft.	.22 m <sup>3</sup>
<b>Area tip to tip:</b>	.97 ft <sup>2</sup>	.09 m <sup>2</sup>
<b>Rotator lifting capacity:</b>	14000 lb	6350 kg
<b>Torque at relief pressure:</b>	8450 lb-in	955 Nm
	913 psi	63 bars
<b>Weight:</b>	675 lb	306 kg

<b>Rotator</b>	<b>Maximum pressure:</b> 5000 psi    345 bars	<b>Recommended flow:</b> 8 gpm    30 l/min
Rotator recommended flow will produce a speed of 30 rpm		

Cylinder	Diameter	Recommended pressure	Pressure range	Flow range	Lock valves
Standard	3 1/2 " (89 mm)	2350 psi (162 bars)	2000-2700 psi (138-186 bars)	13-19 gpm (49-72 l/min.)	no
Standard	3 " (76 mm)	3250 psi (224 bars)	2800-3700 psi (193-255 bars)	9-13 gpm (34-49 l/min.)	no

Grapple cylinder maximum flow will theoretically produce a complete grapple open/close cycle in 4 seconds.



- Options:
- Log protection package, including shaft on jaw tips and protection strips on jaw edges. (n/a)
  - Shaft on jaw tips to prevent log damage. (n/a)
  - Impact protection relief valve.
  - Head protector (26 lb/ 12kg)

web site: [www.rotobec.com](http://www.rotobec.com)

email: [rotobec@rotobec.com](mailto:rotobec@rotobec.com)

**Rotobec Inc.:** Head office serving OEM's and Eastern Canada    Ph: (418) 383-3002 Fax: (418) 383-5334  
**Rotobec West:** Branch serving Western Canada and Western USA    Ph: (250) 765-1161 Fax: (250) 765-0035  
**Rotobec USA:** Branch serving Eastern and Central USA    Ph: (603) 444-2103 Fax: (603) 444-0327

We reserve the right to change specifications and to improve our products without notice or obligation.

07006-4477  
10/05/17   D.L.