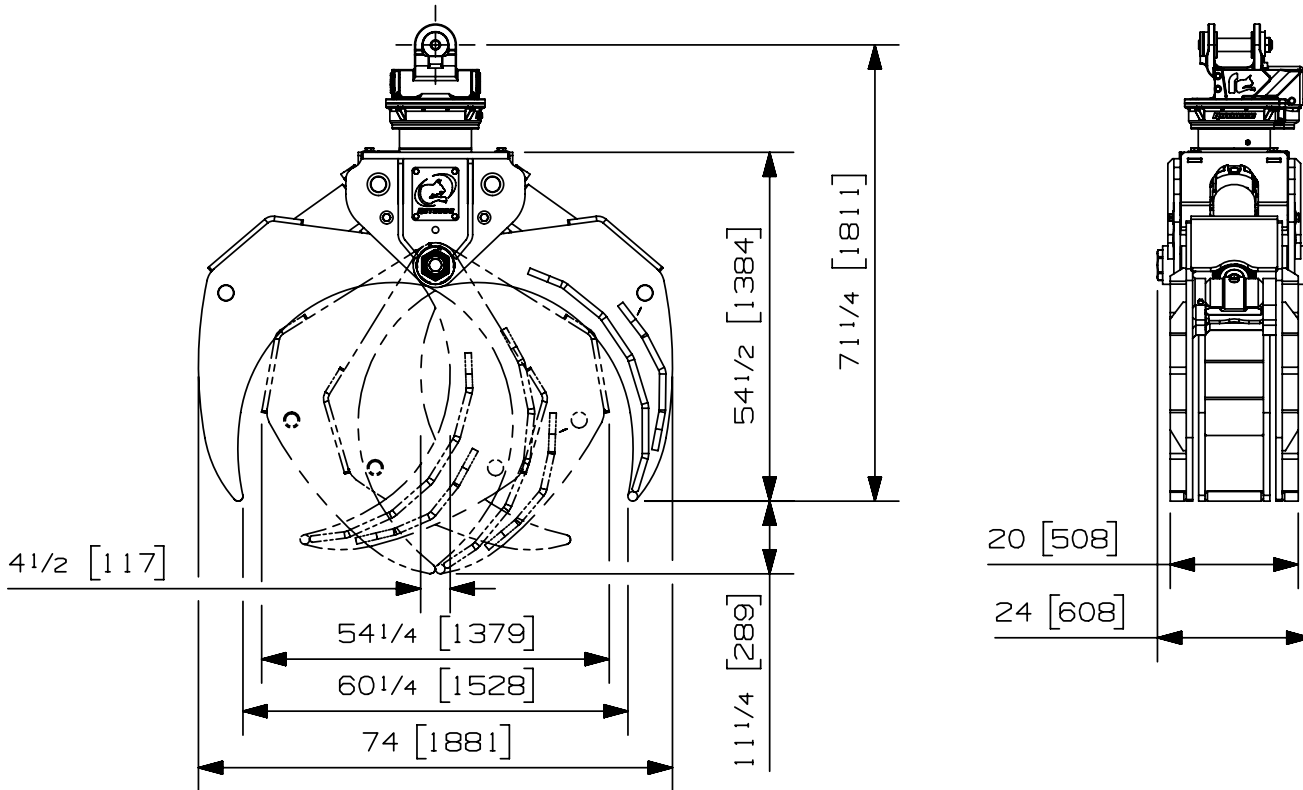


Max load:	n/a lb	n/a kg
Volume:	.32 cord of 8ft.	1.16 m <sup>3</sup>
Area tip to tip:	5.13 ft <sup>2</sup>	.48 m <sup>2</sup>
Rotator lifting capacity:	50000 lb	22680 kg
Torque at relief pressure:	18630 lb-in	2105 Nm
	1450 psi	100 bars
Weight:	2635 lb	1195 kg

Rotator	Maximum pressure: 5000 psi	345 bars	Recommended flow: 9 gpm	34 l/min
Rotator recommended flow will produce a speed of 25 rpm				

Cylinder	Diameter	Recommended pressure	Pressure range	Flow range	Lock valves
Standard	4 1/2 " (114 mm)	3750 psi (259 bars)	2500-5000 psi (172-345 bars)	29-41 gpm (110-155 l/min.)	yes

Grapple cylinder maximum flow will theoretically produce a complete grapple open/close cycle in 5 seconds.



**Options:**

- Protection strips on jaw edges. (44 lb / 20 kg)
- Impact protection relief valve. (inclus/included)
- Saw bundle kit RGS-750. (667 lb / 303 kg)
- Brush rake kit (1755 lb / 798 kg)

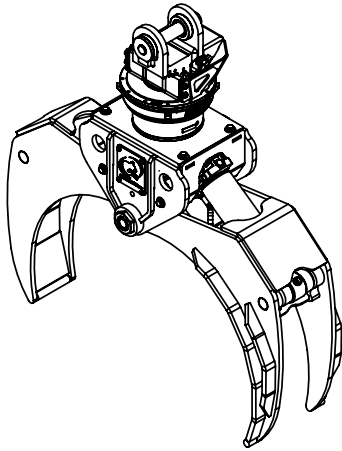
web site: [www.rotobec.com](http://www.rotobec.com)

email: [rotobec@rotobec.com](mailto:rotobec@rotobec.com)

**Rotobec Inc.:** Head office serving OEM's and Eastern Canada Ph: (418) 383-3002 Fax: (418) 383-5334  
**Rotobec West:** Branch serving Western Canada and Western USA Ph: (250) 765-1161 Fax: (250) 765-0035  
**Rotobec USA:** Branch serving Eastern and Central USA Ph: (603) 444-2103 Fax: (603) 444-0327

We reserve the right to change specifications and to improve our products without notice or obligation.

07005-8709  
05/10/16 D.B.

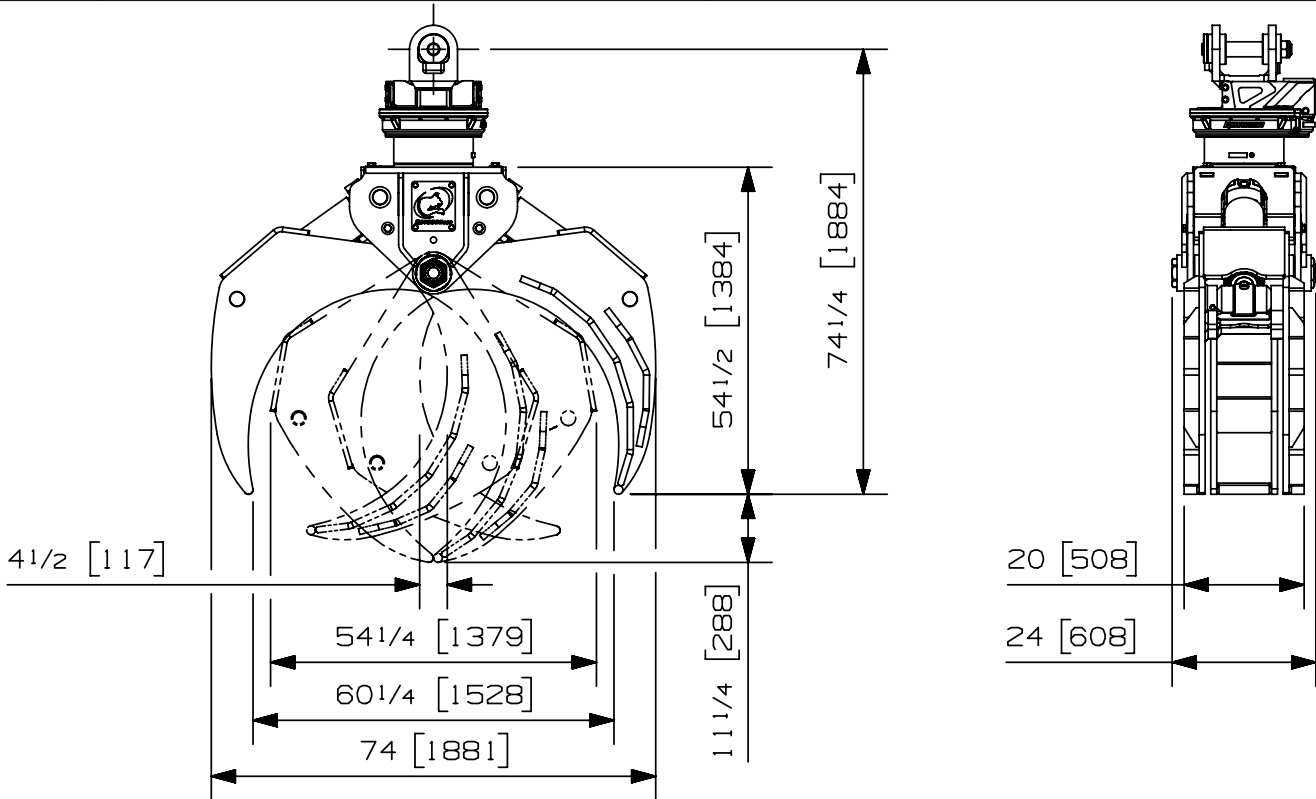


<b>Max load:</b>	n/a lb	n/a kg
<b>Volume:</b>	.32 cord of 8ft.	1.16 m <sup>3</sup>
<b>Area tip to tip:</b>	5.13 ft <sup>2</sup>	.48 m <sup>2</sup>
<b>Rotator lifting capacity:</b>	100000 lb	45359 kg
<b>Torque at relief pressure:</b>	22360 lb-in	2526 Nm
	1450 psi	100 bars
<b>Weight:</b>	2875 lb	1304 kg

<b>Rotator</b>	<b>Maximum pressure:</b> 5000 psi    345 bars	<b>Recommended flow:</b> 8 gpm    30 l/min
Rotator recommended flow will produce a speed of 20 rpm		

Cylinder	Diameter	Recommended pressure	Pressure range	Flow range	Lock valves
Standard	4 1/2 " (114 mm)	3750 psi (259 bars)	2500-5000 psi (172-345 bars)	29-41 gpm (110-155 l/min.)	yes

Grapple cylinder maximum flow will theoretically produce a complete grapple open/close cycle in 5 seconds.



**Options:**

- Protection strips on jaw edges. (44 lb / 20 kg)
- Impact protection relief valve. (inclus/included)
- Saw bundle kit RGS-750. (667 lb / 303 kg)
- Optional brush rake kit. (1755 lb / 798 kg)

web site: [www.rotobec.com](http://www.rotobec.com)

email: [rotobec@rotobec.com](mailto:rotobec@rotobec.com)

**Rotobec Inc.:** Head office serving OEM's and Eastern Canada    Ph: (418) 383-3002 Fax: (418) 383-5334  
**Rotobec West:** Branch serving Western Canada and Western USA    Ph: (250) 765-1161 Fax: (250) 765-0035  
**Rotobec USA:** Branch serving Eastern and Central USA    Ph: (603) 444-2103 Fax: (603) 444-0327