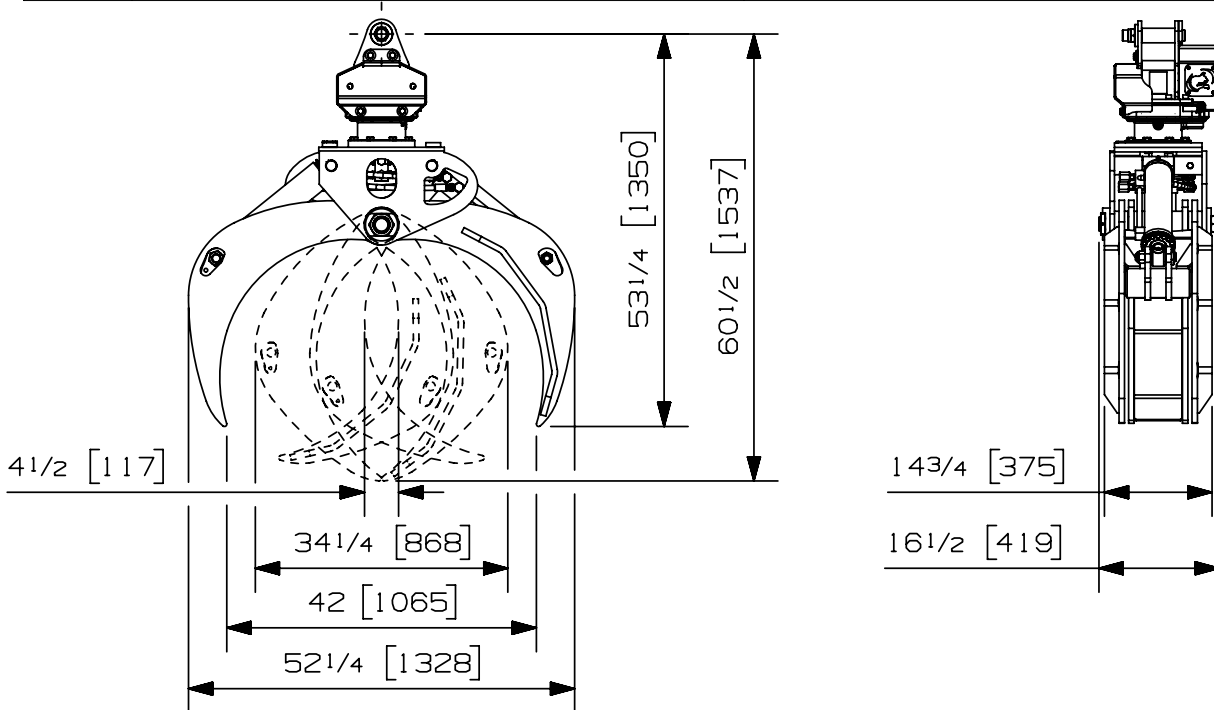


Max load:	n/a lb	n/a kg
Volume:	.16 cord of 8 ft.	.58 m ³
Area tip to tip:	2.70 ft ²	.25 m ²
Rotator lifting capacity:	14000 lb	6350 kg
Torque at relief pressure:	8450 lb-in	955 Nm
	913 psi	63 bars
Weight:	800 lb	363 kg

Rotator	Maximum pressure: 5000 psi 345 bars	Recommended flow: 8 gpm 30 l/min
Rotator recommended flow will produce a speed of 30 rpm		

Cylinder	Diameter	Recommended pressure	Pressure range	Flow range	Lock valves
Standard	3 " (76mm)	3800 psi (262 bars)	3100-4500 psi (214-310 bars)	10-15 gpm (38-57 l/min.)	no
Standard	3 1/2 " (89 mm)	2500 psi (172 bars)	2000-3000 psi (138-207 bars)	15-22 gpm (57-83 l/min.)	no
Optional	4 " (102mm)	2250 psi (155 bars)	2000-2500 psi (138-172 bars)	20-30 gpm (76-114 l/min.)	no

Grapple cylinder maximum flow will theoretically produce a complete grapple open/close cycle in 4 seconds.



- Options:
- Head protector (26 lb / 12 kg).
 - Log protection package, including shaft on jaw tips and protection strips on jaw edges. (48 lb / 22 kg).
 - Shaft on jaw tips to prevent log damage.
 - Impact protection relief valve.

web site: www.rotobec.com

email: rotobec@rotobec.com

Rotobec Inc.: Head office serving OEM's and Eastern Canada Ph: (418) 383-3002 Fax: (418) 383-5334
Rotobec West: Branch serving Western Canada and Western USA Ph: (250) 765-1161 Fax: (250) 765-0035
Rotobec USA: Branch serving Eastern and Central USA Ph: (603) 444-2103 Fax: (603) 444-0327

We reserve the right to change specifications and to improve our products without notice or obligation.

07006-8429
08/05/17 D.L.