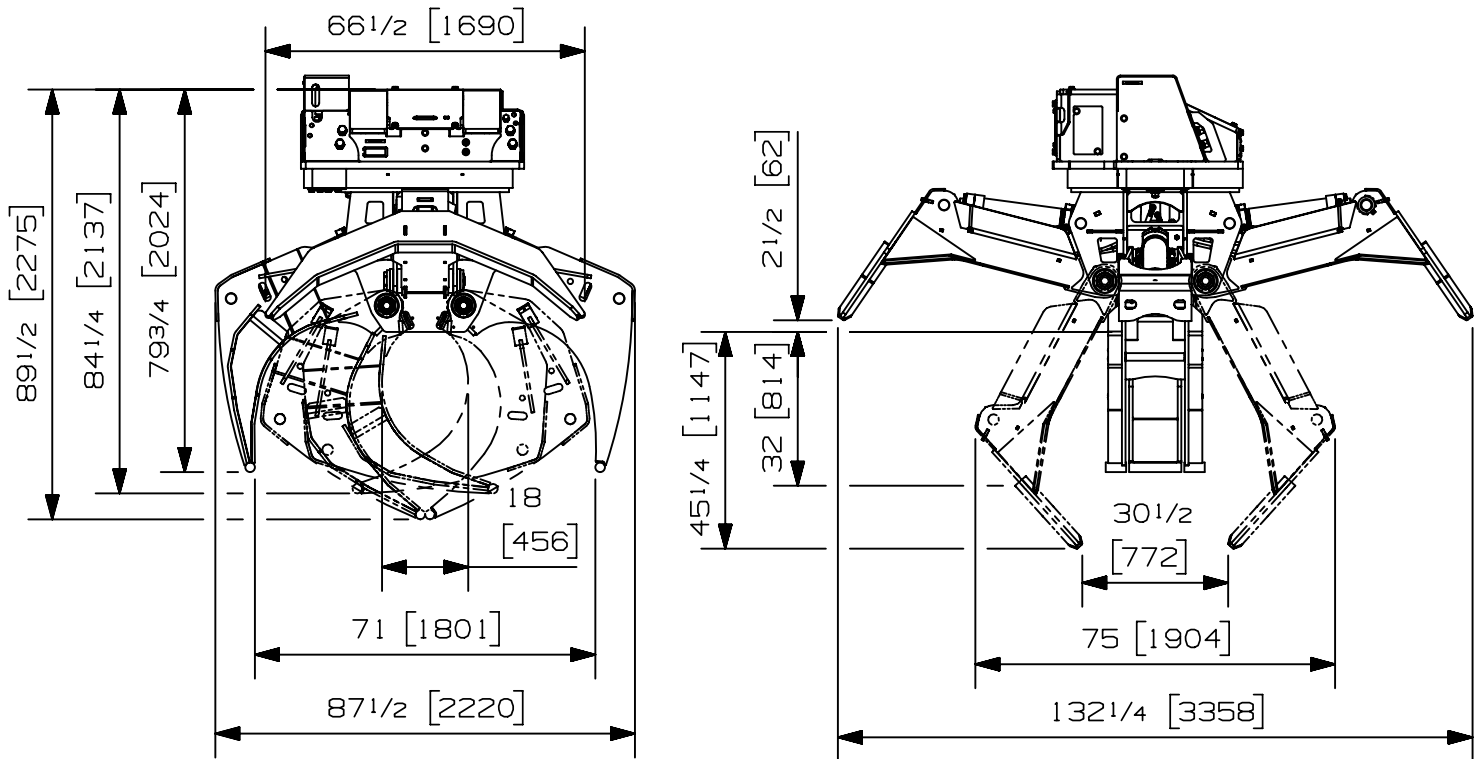


Max load:	n/a lb	n/a kg
Volume:	n/a y ³	n/a m ³
Area tip to tip:	6.03 ft ²	.56 m ²
Rotator lifting capacity:	170000 lb	77111 kg
Torque at relief pressure:	218520 lb-in 2200 psi	24689 Nm 152 bars
Weight:	6185 lb	2805 kg

Rotator	Maximum pressure: 5000 psi 345 bars	Recommended flow: 32 gpm 121 l/min
Rotator recommended flow will produce a speed of 12 rpm		

Cylinder	Diameter	Recommended pressure	Pressure range	Flow range	Lock valves
Standard	4 " (102 mm)	4250 psi (293 bars)	3500-5000 psi (241-345 bars)	24-34 gpm (91-129 l/min.)	no

Grapple cylinder maximum flow will theoretically produce a complete grapple open/close cycle in 5 seconds.



Options:

- See also RGP-1706 options for more options
-
-
-

web site: www.rotobec.com

email: rotobec@rotobec.com

Rotobec Inc.: Head office serving OEM's and Eastern Canada Ph: (418) 383-3002 Fax: (418) 383-5334
 Rotobec West: Branch serving Western Canada and Western USA Ph: (250) 765-1161 Fax: (250) 765-0035
 Rotobec USA: Branch serving Eastern and Central USA Ph: (603) 444-2103 Fax: (603) 444-0327

We reserve the right to change specifications and to improve our products without notice or obligation.

07006-3313
31/10/17 D.L.