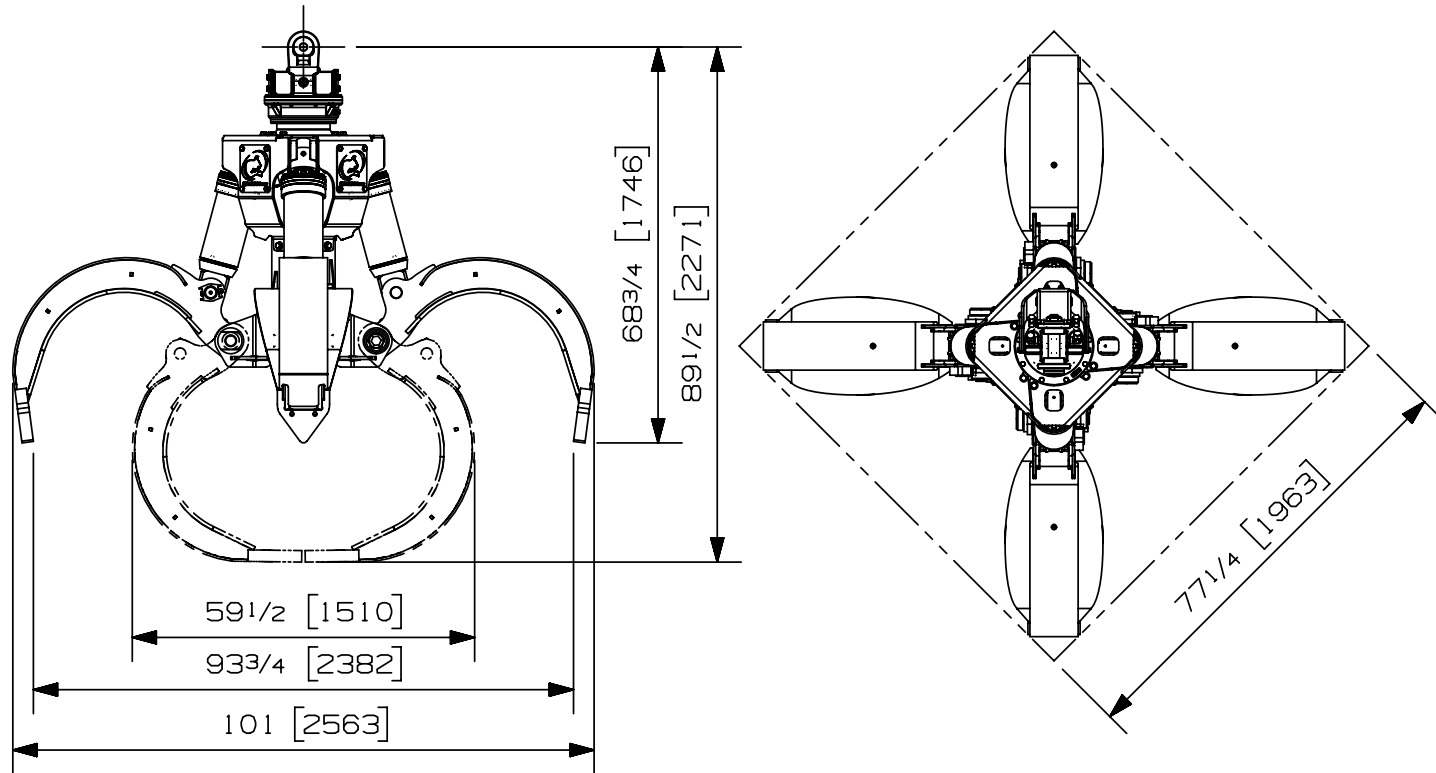


| | | |
|----------------------------|-------------------------|---------------------|
| Max load: | n/a lb | n/a kg |
| Volume: | 1.00 y ³ | .76 m ³ |
| Area tip to tip: | - ft ² | - m ² |
| Rotator lifting capacity: | 32000 lb | 14515 kg |
| Torque at relief pressure: | 16150 lb-in 1450 psi | 1825 Nm 100 bars |
| Weight: | 3140 lb | 1424 kg |

| | | |
|---|--|-------------------------------------|
| Rotator | Maximum pressure: 5000 psi 345 bars | Recommended flow: 9 gpm 34 l/min |
| Rotator recommended flow will produce a speed of 30 rpm | | |

| Cylinder | Diameter | Recommended pressure | Pressure range | Flow range | Lock valves |
|----------|-------------|----------------------|------------------------------|---------------------------|-------------|
| Standard | 3 " (76 mm) | 4300 psi (296 bars) | 3600-5000 psi (248-345 bars) | 21-29 gpm (79-110 l/min.) | no |

Grapple cylinder maximum flow will theoretically produce a complete grapple open/close cycle in 5 seconds.



Options:

-
-
-
-

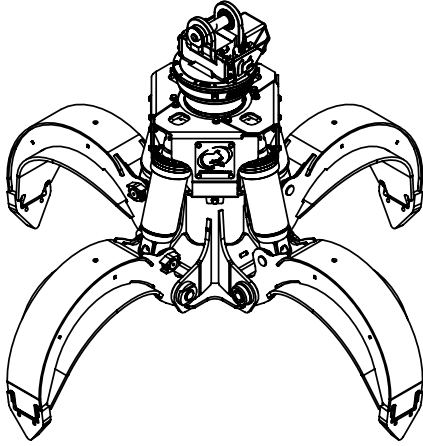
web site: www.rotobec.com

email: rotobec@rotobec.com

Rotobec Inc.: Head office serving OEM's and Eastern Canada Ph: (418) 383-3002 Fax: (418) 383-5334
 Rotobec West: Branch serving Western Canada and Western USA Ph: (250) 765-1161 Fax: (250) 765-0035
 Rotobec USA: Branch serving Eastern and Central USA Ph: (603) 444-2103 Fax: (603) 444-0327

We reserve the right to change specifications and to improve our products without notice or obligation.

07005-0476
12/07/17 D.L.

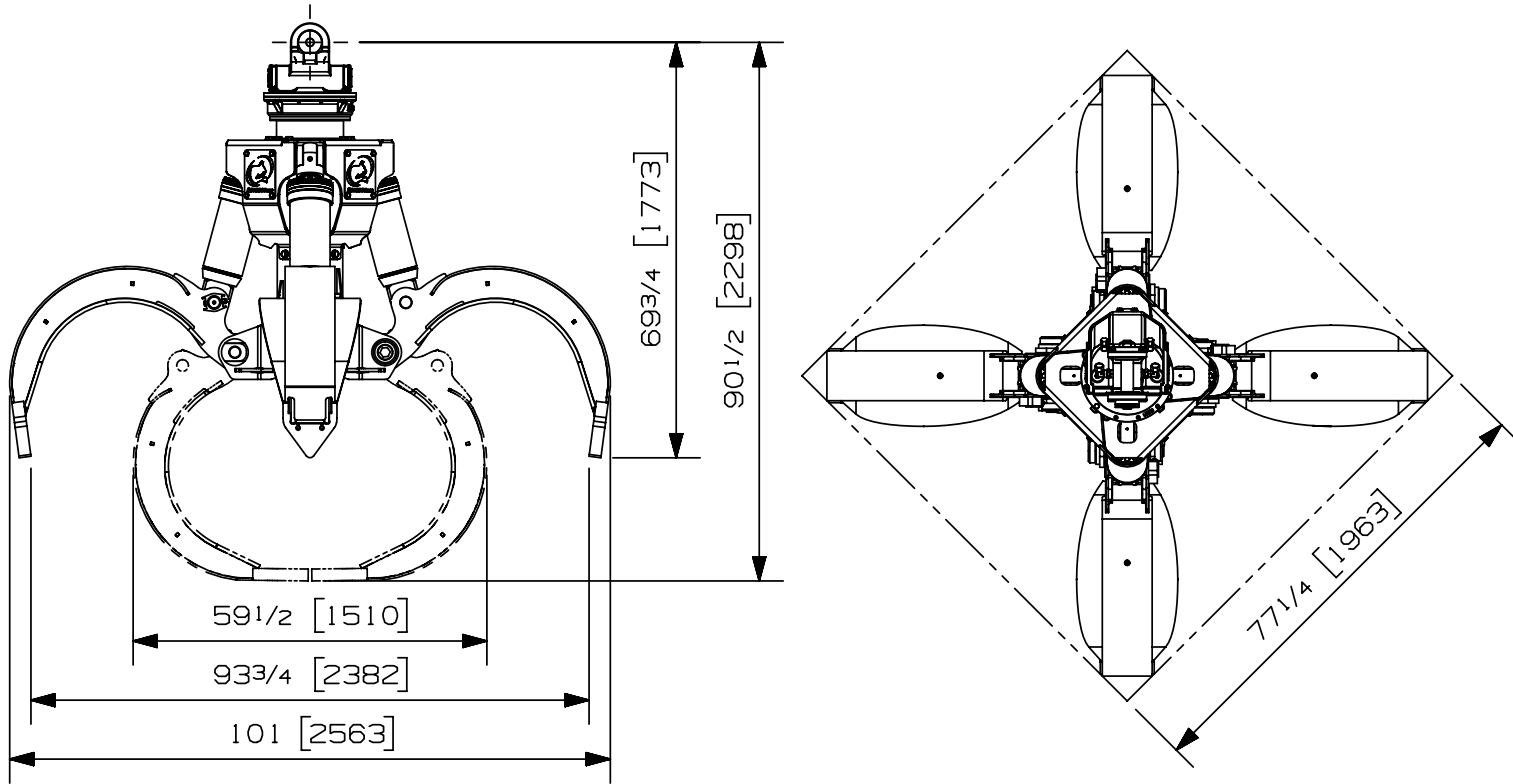


| | | |
|----------------------------|-------------------------|---------------------|
| Max load: | n/a lb | n/a kg |
| Volume: | 1.00 y ³ | 0.76 m ³ |
| Area tip to tip: | - ft ² | - m ² |
| Rotator lifting capacity: | 50000 lb | 22680 kg |
| Torque at relief pressure: | 18630 lb-in 1450 psi | 2105 Nm 100 bars |
| Weight: | 3260 lb | 1479 kg |

| | | |
|---|--|-------------------------------------|
| Rotator | Maximum pressure: 5000 psi 345 bars | Recommended flow: 9 gpm 34 l/min |
| Rotator recommended flow will produce a speed of 25 rpm | | |

| Cylinder | Diameter | Recommended pressure | Pressure range | Flow range | Lock valves |
|----------|-------------|----------------------|------------------------------|---------------------------|-------------|
| Standard | 3 " (76 mm) | 4300 psi (296 bars) | 3600-5000 psi (248-345 bars) | 21-29 gpm (79-110 l/min.) | no |

Grapple cylinder maximum flow will theoretically produce a complete grapple open/close cycle in 5 seconds.



Options:

-
-
-
-

web site: www.rotobec.com

email: rotobec@rotobec.com

Rotobec Inc.: Head office serving OEM's and Eastern Canada Ph: (418) 383-3002 Fax: (418) 383-5334
 Rotobec West: Branch serving Western Canada and Western USA Ph: (250) 765-1161 Fax: (250) 765-0035
 Rotobec USA: Branch serving Eastern and Central USA Ph: (603) 444-2103 Fax: (603) 444-0327

We reserve the right to change specifications and to improve our products without notice or obligation.

07001-6059
12/07/17 D.L.