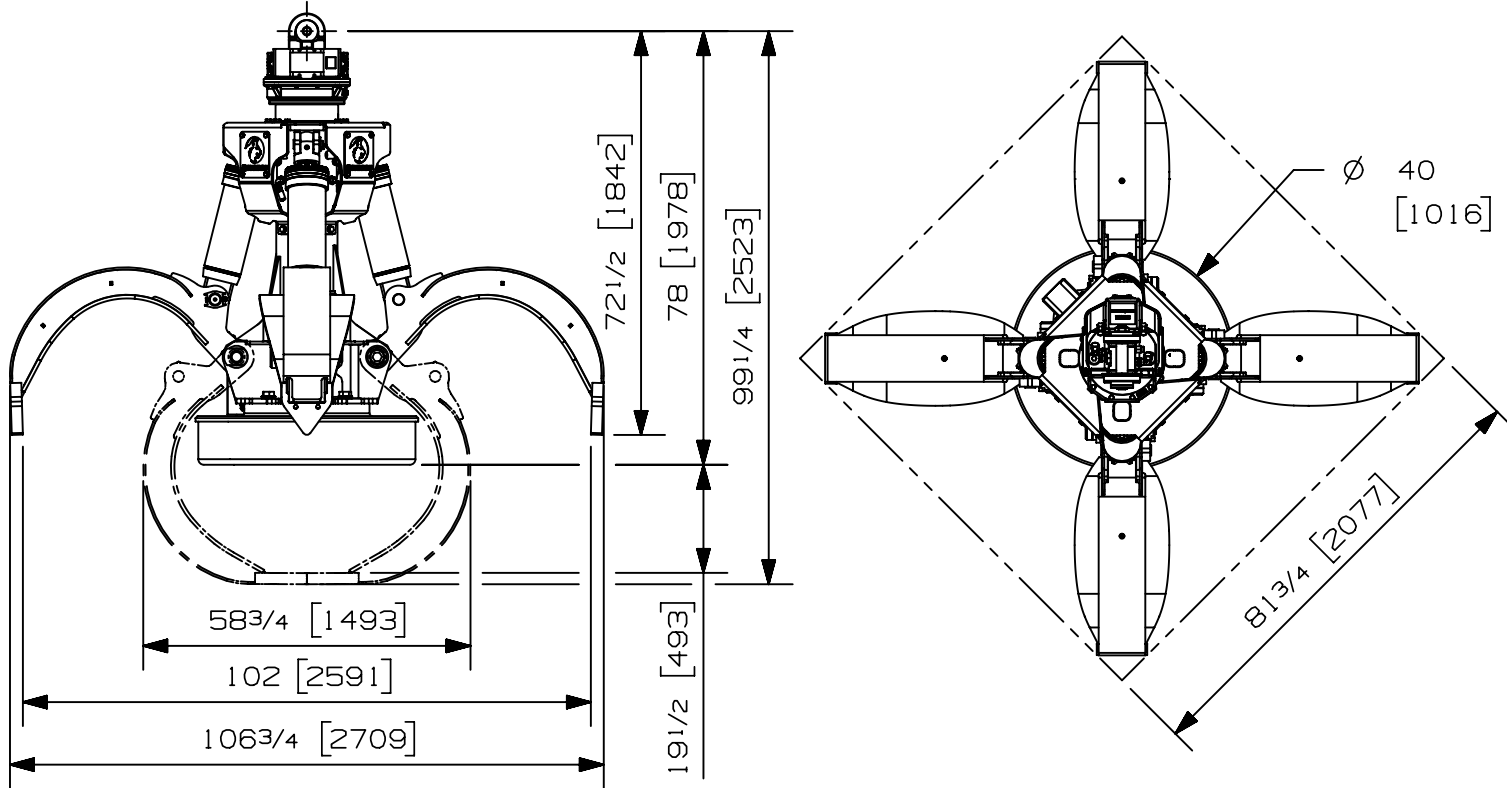


Max load:	- lb	- kg
Volume:	1.00 y <sup>3</sup>	.76 m <sup>3</sup>
Area tip to tip:	- ft <sup>2</sup>	- m <sup>2</sup>
Rotator lifting capacity:	50000 lb	22680 kg
Torque at relief pressure:	18630 lb-in	2105 Nm
	1450 psi	100 bars
Weight:	5565 lb	2524 kg

Rotator	Maximum pressure: 5000 psi	345 bars	Recommended flow: 9 gpm	34 l/min
Rotator recommended flow will produce a maximum speed of 25 rpm				

Cylinder	Diameter	Recommended pressure	Pressure range	Flow range	Lock valves
Standard	3 " (76 mm)	4300 psi (296 bars)	3600 - 5000 psi (248-345 bars)	26 - 37 gpm (98-140 l/min.)	No

Grapple cylinder maximum flow will theoretically produce a complete grapple open/close cycle in 5 seconds.



Options:

- 
- 
- 
- 

web site: [www.rotobec.com](http://www.rotobec.com)

email: [rotobec@rotobec.com](mailto:rotobec@rotobec.com)

Rotobec Inc.: Head office serving OEM's and Eastern Canada Ph: (418) 383-3002 Fax: (418) 383-5334  
 Rotobec West: Branch serving Western Canada and Western USA Ph: (250) 765-1161 Fax: (250) 765-0035  
 Rotobec USA: Branch serving Eastern and Central USA Ph: (603) 444-2103 Fax: (603) 444-0327

We reserve the right to change specifications and to improve our products without notice or obligation.

07008-1905  
19/11/20