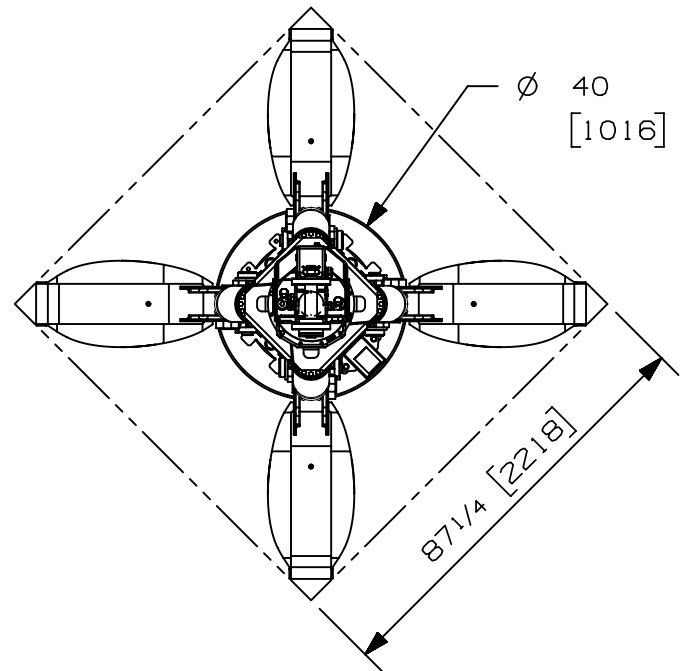
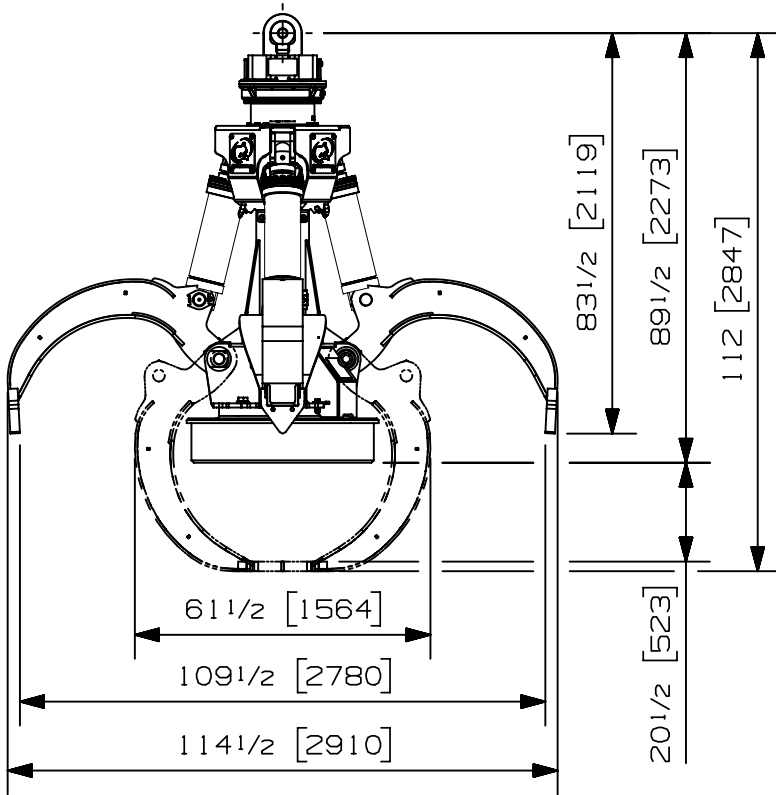


| | | |
|----------------------------|-------------------------|---------------------|
| Max load: | n/a lb | n/a kg |
| Volume: | 1.00 y ³ | .76 m ³ |
| Area tip to tip: | n/a ft ² | n/a m ² |
| Rotator lifting capacity: | 100000 lb | 45359 kg |
| Torque at relief pressure: | 22360 lb-in 1450 psi | 2526 Nm 100 bars |
| Weight: | 7140 lb | 3239 kg |

| | | |
|---|--|-------------------------------------|
| Rotator | Maximum pressure: 5000 psi 345 bars | Recommended flow: 8 gpm 30 l/min |
| Rotator recommended flow will produce a maximum speed of 20 rpm | | |

| Cylinder | Diameter | Recommended pressure | Pressure range | Flow range | Lock valves |
|----------|-----------------|----------------------|------------------------------|----------------------------|-------------|
| Standard | 3 1/2 " (89 mm) | 4300 psi (296 bars) | 3600-5000 psi (248-345 bars) | 42-59 gpm (159-223 l/min.) | no |

Grapple cylinder maximum flow will theoretically produce a complete grapple open/close cycle in 5 seconds.



Options:

-
-
-
-

web site: www.rotobec.com

email: rotobec@rotobec.com

Rotobec Inc.: Head office serving OEM's and Eastern Canada Ph: (418) 383-3002 Fax: (418) 383-5334
Rotobec West: Branch serving Western Canada and Western USA Ph: (250) 765-1161 Fax: (250) 765-0035
Rotobec USA: Branch serving Eastern and Central USA Ph: (603) 444-2103 Fax: (603) 444-0327

We reserve the right to change specifications and to improve our products without notice or obligation.

07006-7335
02/04/19 _____