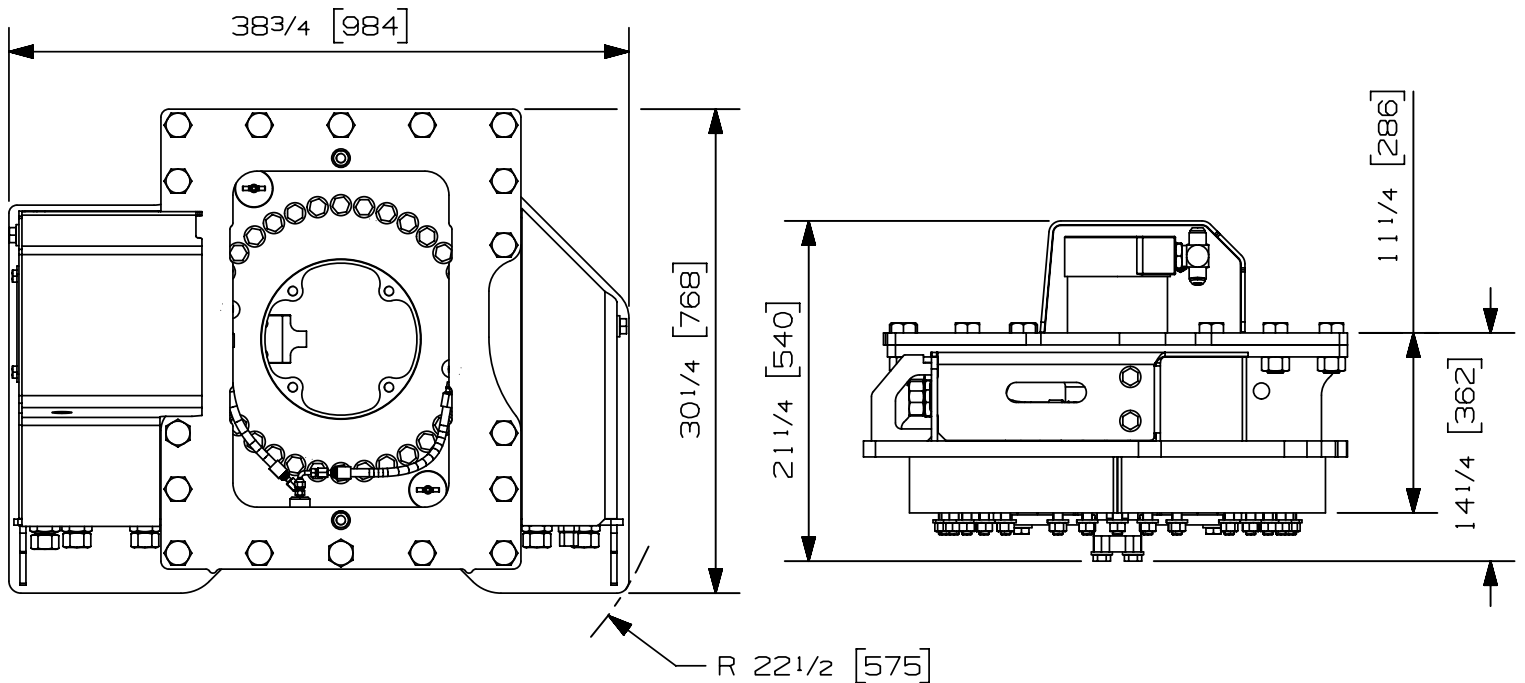


Rotator type:	Continuous	
Maximum lift capacity:	90000 lb	40823 kg
Torque at relief pressure:	148710 lb-in	16802 Nm
	2200 psi	152 bars
Speed at recommended flow:	15 rpm	
Recommended flow to motor:	28 gpm	106 l/min
Maximum pressure to motor:	5000 psi	345 bars
Maximum pressure to collector:	5000 psi	345 bars
Rotator motor inlet ports:	2 X 16 JIC	
Attachment inlet ports:	2 X 16 JIC	
Attachment outlet ports:	4 X 08 ORB - 2 X 12 ORB	
Additional inlet ports:	1 X 10 JIC	
Weight:	1150 lb *	522 kg



* WEIGHT INCLUDING LUGGING BASE PLATE AND WITHOUT VOS OPTION

Options:

- Custom bolt-on lugging (355 lbs/ 161 kg)
- Float on swing motor
- 2 functions valve on swivel (add 105 lbs/ 48 kg)
- 3 functions valve on swivel (add 105 lbs/ 48 kg)
- Positioning cylinder kit, including bracket (400 lbs/ 181 kg)
- Installation kit

web site: www.rotobec.com

email: rotobec@rotobec.com

Rotobec Inc.: Head office serving OEM's and Eastern Canada Ph: (418) 383-3002 Fax: (418) 383-5334
Rotobec West: Branch serving Western Canada and Western USA Ph: (250) 765-1161 Fax: (250) 765-0035
Rotobec USA: Branch serving Eastern and Central USA Ph: (603) 444-2103 Fax: (603) 444-0327

We reserve the right to change specifications and to improve our products without notice or obligation.

07003-8690
14/08/17 D.L.