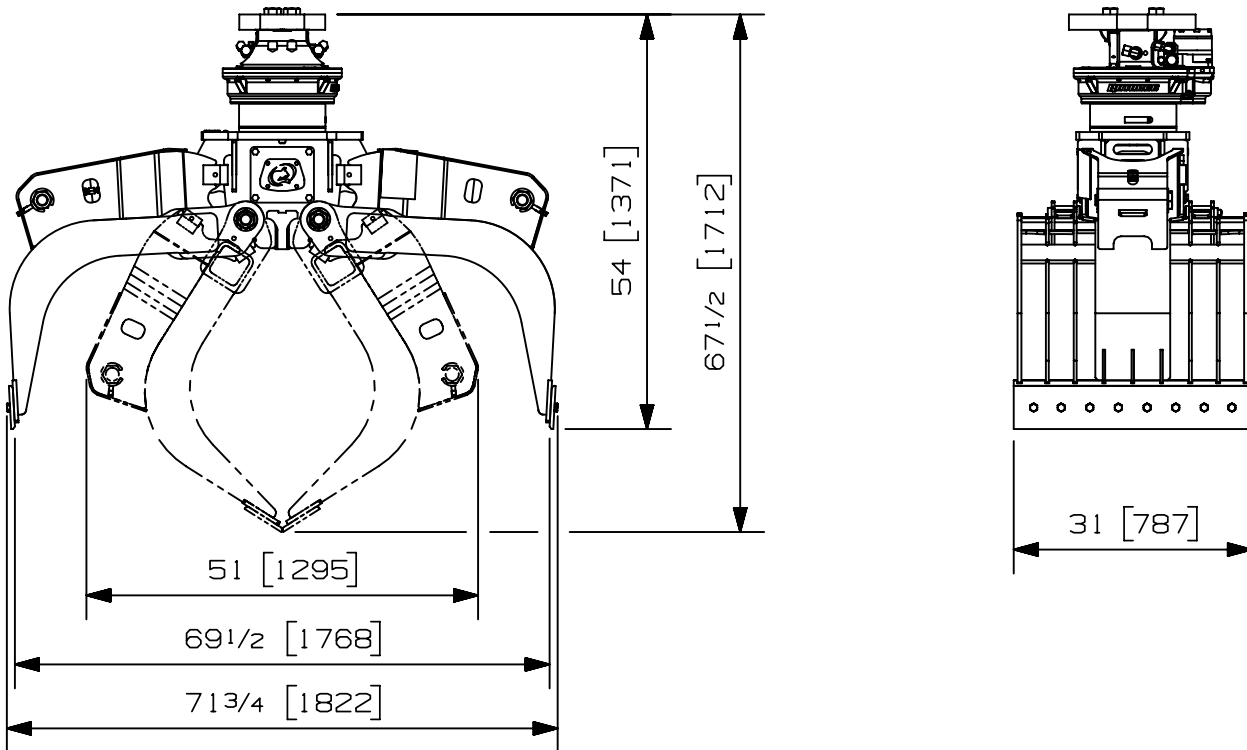


<b>Max load:</b>	n/a lb	n/a kg
<b>Volume:</b>	.35 y <sup>3</sup>	.27 m <sup>3</sup>
<b>Area tip to tip:</b>	3.65 ft <sup>2</sup>	.34 m <sup>2</sup>
<b>Rotator lifting capacity:</b>	50000 lb	22680 kg
<b>Torque at relief pressure:</b>	18140 lb-in 913 psi	2050 Nm 63 bars
<b>Weight:</b>	1735 lb	787 kg

<b>Rotator</b>	<b>Maximum pressure:</b> 4200 psi    290 bars	<b>Recommended flow:</b> 8 gpm    30 l/min
Rotator recommended flow will produce a maximum speed of 15 rpm		

Cylinder	Diameter	Recommended pressure	Pressure range	Flow range	Lock valves
Standard	3 " (76 mm)	4300 psi (296 bars)	3600-5000 psi (248-345 bars)	10-15 gpm (38-57 l/min.)	no
Standard	3 1/2 " (89 mm)	3000 psi (207 bars)	2500-3500 psi (172-241 bars)	14-21 gpm (53-79 l/min.)	no

Grapple cylinder maximum flow will theoretically produce a complete grapple open/close cycle in 4 seconds.



**Options:**

- Load holding valve (9 lbs / 4 kg)
- See also RGP-502 option for more options
- 
- 

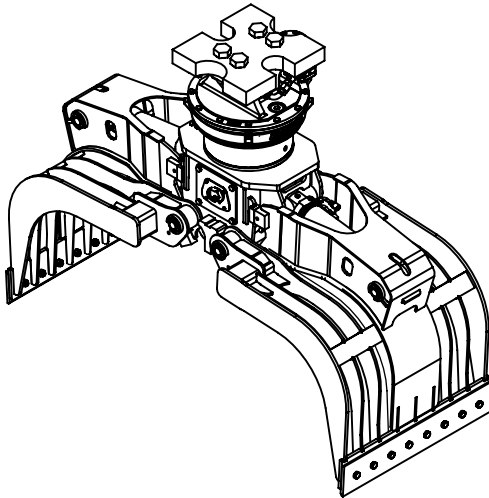
web site: [www.rotobec.com](http://www.rotobec.com)

email: [rotobec@rotobec.com](mailto:rotobec@rotobec.com)

**Rotobec Inc.:** Head office serving OEM's and Eastern Canada    Ph: (418) 383-3002 Fax: (418) 383-5334  
**Rotobec West:** Branch serving Western Canada and Western USA    Ph: (250) 765-1161 Fax: (250) 765-0035  
**Rotobec USA:** Branch serving Eastern and Central USA    Ph: (603) 444-2103 Fax: (603) 444-0327

We reserve the right to change specifications and to improve our products without notice or obligation.

07006-7722  
20/06/18 D.L.

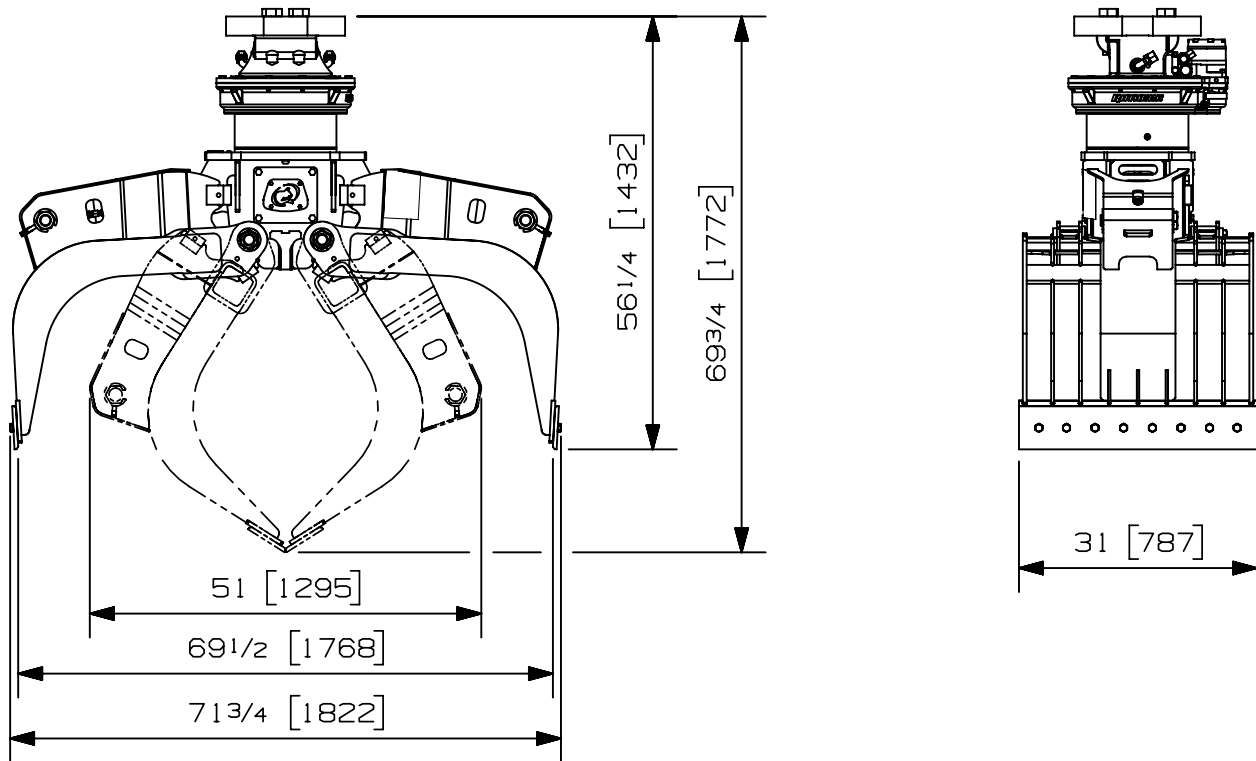


<b>Max load:</b>	n/a lb	n/a kg
<b>Volume:</b>	.35 y <sup>3</sup>	.27 m <sup>3</sup>
<b>Area tip to tip:</b>	3.65 ft <sup>2</sup>	.34 m <sup>2</sup>
<b>Rotator lifting capacity:</b>	100000 lb	45359 kg
<b>Torque at relief pressure:</b>	21770 lb-in 913 psi	2460 Nm 63 bars
<b>Weight:</b>	2000 lb	907 kg

<b>Rotator</b>	<b>Maximum pressure:</b> 4200 psi    290 bars	<b>Recommended flow:</b> 6 gpm    23 l/min
Rotator recommended flow will produce a maximum speed of 10 rpm		

Cylinder	Diameter	Recommended pressure	Pressure range	Flow range	Lock valves
Standard	3 " (76 mm)	4300 psi (296 bars)	3600-5000 psi (248-345 bars)	10-15 gpm (38-57 l/min.)	no
Standard	3 1/2 " (89 mm)	3000 psi (207 bars)	2500-3500 psi (172-241 bars)	14-21 gpm (53-79 l/min.)	no

Grapple cylinder maximum flow will theoretically produce a complete grapple open/close cycle in 4 seconds.



**Options:**

- Load holding valve (9 lbs / 4 kg)
- See also RGP-1002 option for more options
- 
- 

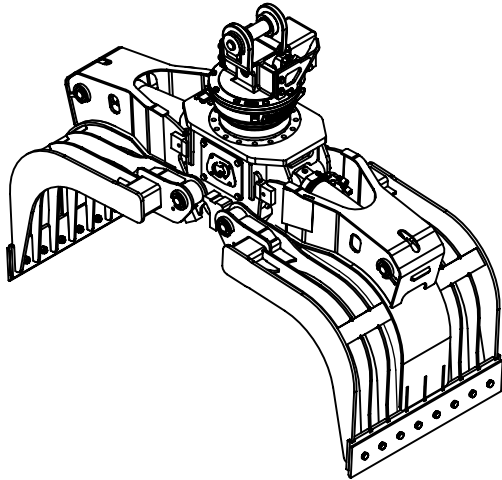
web site: [www.rotobec.com](http://www.rotobec.com)

email: [rotobec@rotobec.com](mailto:rotobec@rotobec.com)

**Rotobec Inc.:** Head office serving OEM's and Eastern Canada    Ph: (418) 383-3002 Fax: (418) 383-5334  
**Rotobec West:** Branch serving Western Canada and Western USA    Ph: (250) 765-1161 Fax: (250) 765-0035  
**Rotobec USA:** Branch serving Eastern and Central USA    Ph: (603) 444-2103 Fax: (603) 444-0327

We reserve the right to change specifications and to improve our products without notice or obligation.

07007-1196  
28/06/18 D.L.

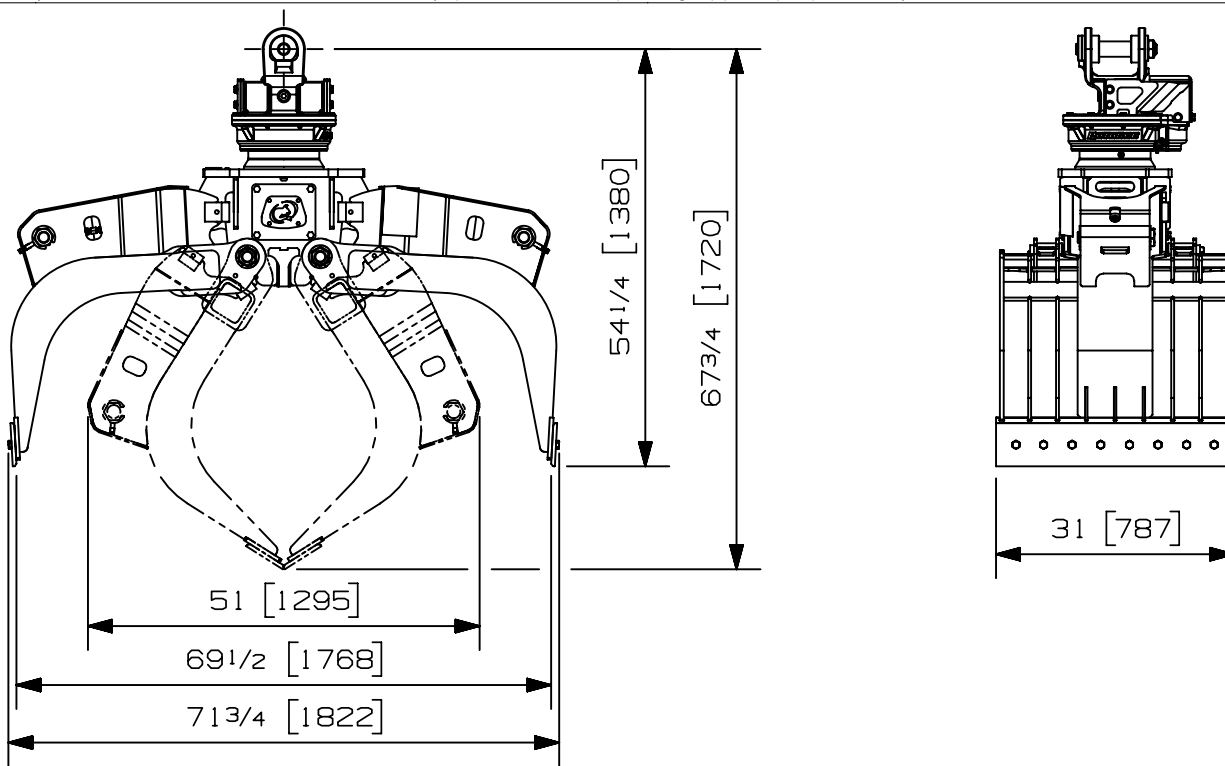


Max load:	n/a lb	n/a kg
Volume:	.35 y <sup>3</sup>	.27 m <sup>3</sup>
Area tip to tip:	3.65 ft <sup>2</sup>	.34 m <sup>2</sup>
Rotator lifting capacity:	32000 lb	14515 kg
Torque at relief pressure:	12920 lb-in 1160 psi	1460 Nm 80 bars
Weight:	1590 lb	721 kg

Rotator	Maximum pressure: 5000 psi    345 bars	Recommended flow: 9 gpm    34 l/min
Rotator recommended flow will produce a speed of 30 rpm		

Cylinder	Diameter	Recommended pressure	Pressure range	Flow range	Lock valves
Standard	3 " (76 mm)	4300 psi (296 bars)	3600-5000 psi (248-345 bars)	10-15 gpm (38-57 l/min.)	no
Standard	3 1/2 " (89 mm)	3000 psi (207 bar)	2500-3500 psi (172-241 bars)	14-21 gpm (53-79 l/min.)	no

Grapple cylinder maximum flow will theoretically produce a complete grapple open/close cycle in 4 seconds.



Options:

- Load holding valve (9 lbs / 4 kg)
- 
- 
- 

web site: [www.rotobec.com](http://www.rotobec.com)

email: [rotobec@rotobec.com](mailto:rotobec@rotobec.com)

Rotobec Inc.: Head office serving OEM's and Eastern Canada    Ph: (418) 383-3002 Fax: (418) 383-5334  
 Rotobec West: Branch serving Western Canada and Western USA    Ph: (250) 765-1161 Fax: (250) 765-0035  
 Rotobec USA: Branch serving Eastern and Central USA    Ph: (603) 444-2103 Fax: (603) 444-0327

We reserve the right to change specifications and to improve our products without notice or obligation.

07008-1315  
20/06/18 D.L.