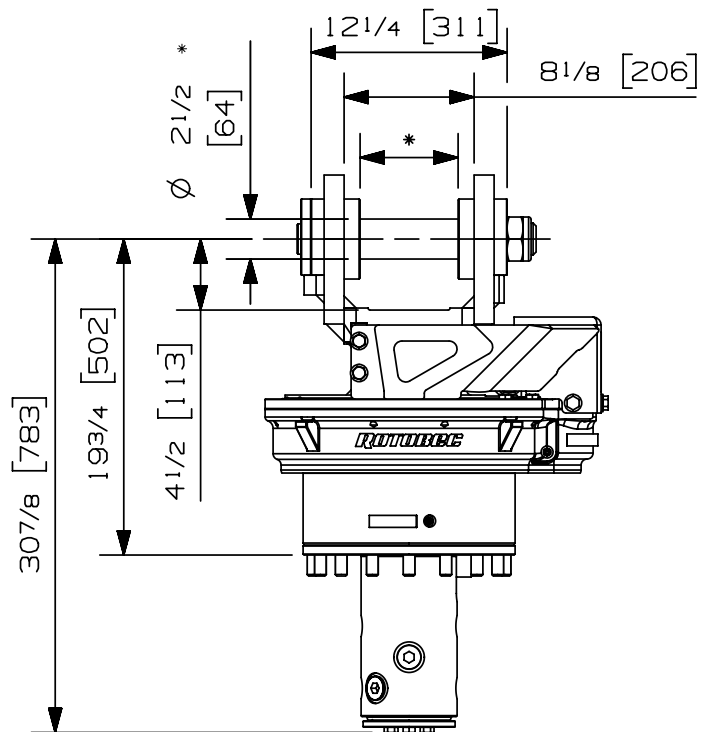
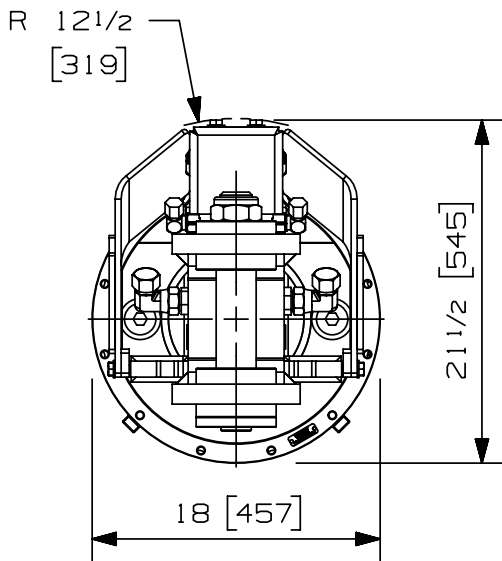


Rotator type:	Continuous	
Maximum lift capacity:	100000 lb	45359 kg
Torque at relief pressure:	22360 lb-in	2526 Nm
	1450 psi	100 bars
Speed at recommended flow:	20 rpm	
Recommended flow to motor:	8 gpm	30 l/min
Maximum pressure to motor:	5000 psi	345 bars
Maximum pressure to collector:	5000 psi	345 bars
Rotator motor inlet ports:	2 X 10 JIC	
Attachment inlet ports:	4 X 16 JIC	
Attachment outlet ports:	4 X 10 ORB - 3 X 16 ORB	
Additional inlet ports:	N/A	
Weight:	685 lb	311 kg



* SOME DIMENSIONS ARE AVAILABLE

Options:

-
-
-
-

web site: www.rotobec.com

email: rotobec@rotobec.com

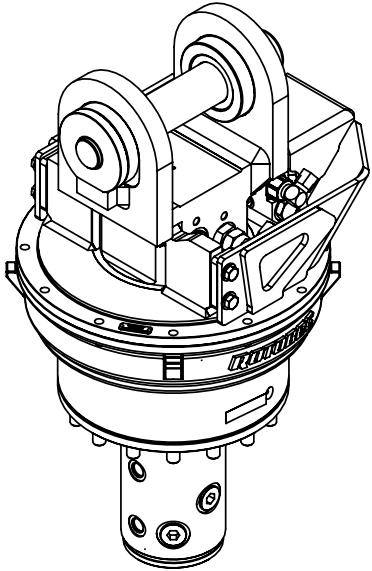
Rotobec Inc.: Head office serving OEM's and Eastern Canada Ph: (418) 383-3002 Fax: (418) 383-5334
Rotobec West: Branch serving Western Canada and Western USA Ph: (250) 765-1161 Fax: (250) 765-0035
Rotobec USA: Branch serving Eastern and Central USA Ph: (603) 444-2103 Fax: (603) 444-0327

We reserve the right to change specifications and to improve our products without notice or obligation.

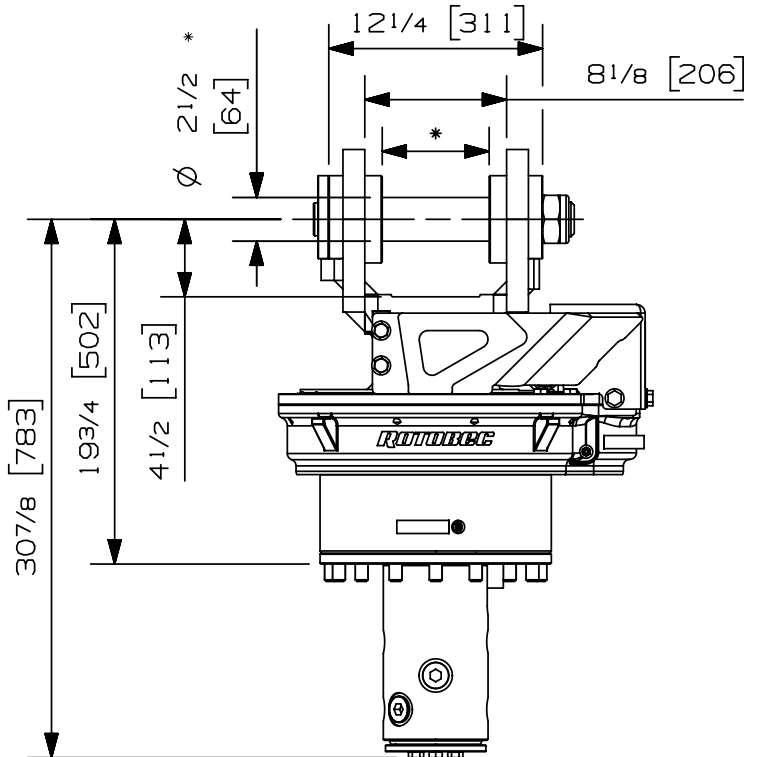
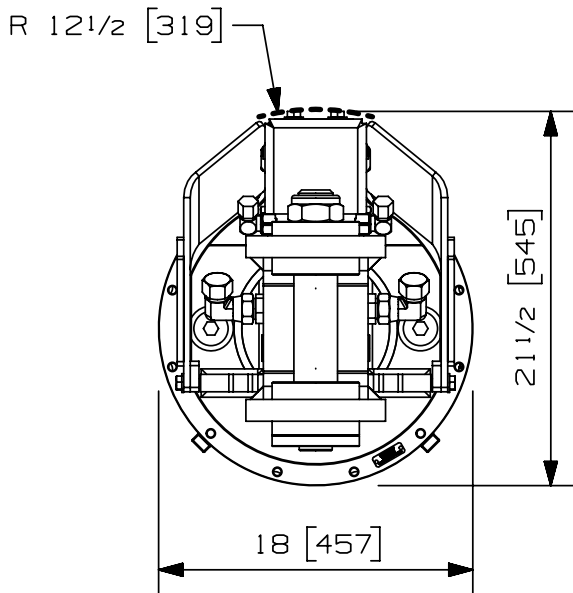
892-0008
29/08/17 E.T.

Rotator

RT-1004 (Log Grapple)



Rotator type:	Countinuous	
Maximum lift capacity:	100000 lb	45359 kg
Torque at relief pressure:	17890 lb-in	2021 Nm
	1160 psi	80 bars
Speed at recommended flow:	20 rpm	
Recommended flow to motor:	8 gpm	30 l/min
Maximum pressure to motor:	5000 psi	345 bars
Maximum pressure to collector:	5000 psi	345 bars
Rotator motor inlet ports:	2 X 10 JIC	
Attachment inlet ports:	4 X 16 JIC	
Attachment outlet ports:	4 X 10 JIC 3 X 16 ORB	
Additional inlet ports:	N/A	
Weight:	685 lb	311 kg



* SOME DIMENSIONS ARE AVAILABLE

Options:

-
-
-
-

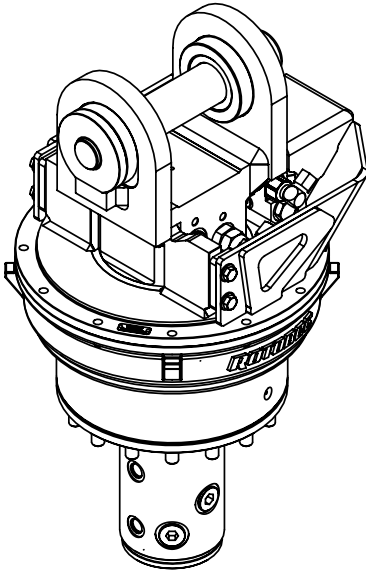
web site: www.rotobec.com

email: rotobec@rotobec.com

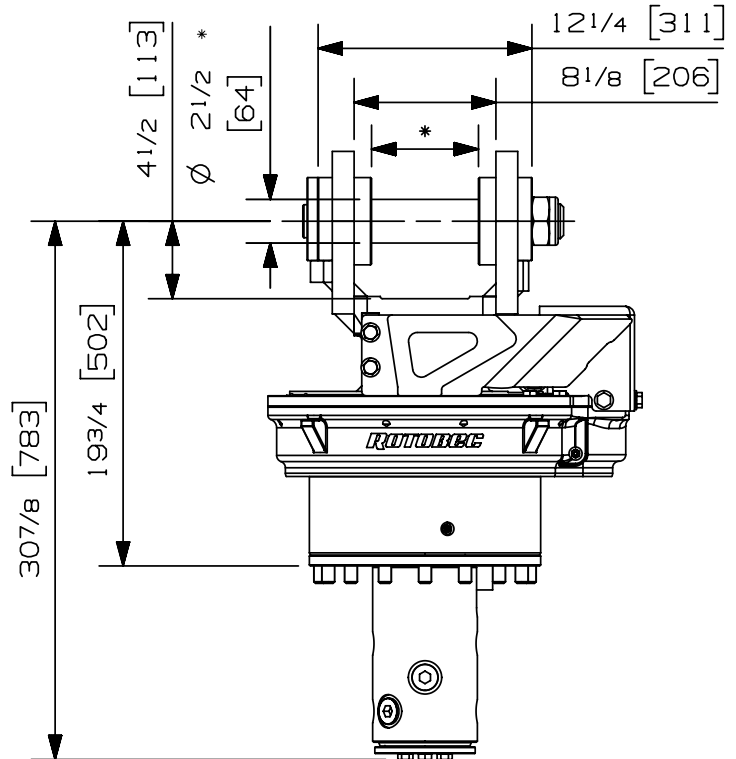
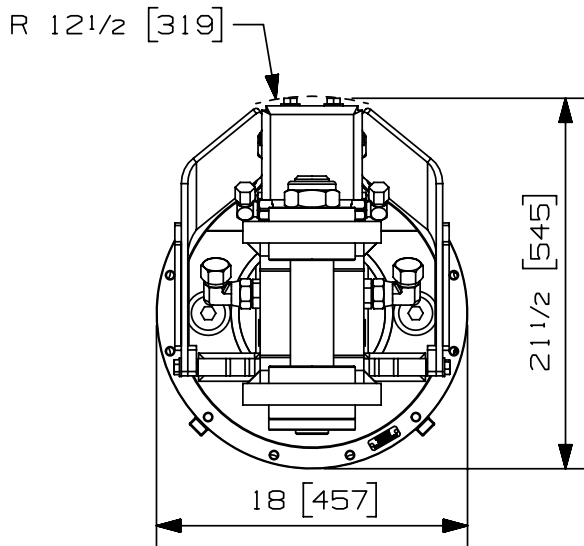
Rotobec Inc.: Head office serving OEM's and Eastern Canada Ph: (418) 383-3002 Fax: (418) 383-5334
Rotobec West: Branch serving Western Canada and Western USA Ph: (250) 765-1161 Fax: (250) 765-0035
Rotobec USA: Branch serving Eastern and Central USA Ph: (603) 444-2103 Fax: (603) 444-0327

We reserve the right to change specifications and to improve our products without notice or obligation.

07000-6584
29/08/17 E.T.



Rotator type:	Continuous	
Maximum lift capacity:	100000 lb	45359 kg
Torque at relief pressure:	27910 lb-in	3153 Nm
	1810 psi	125 bars
Speed at recommended flow:	20 rpm	
Recommended flow to motor:	8 gpm	30 l/min
Maximum pressure to motor:	5000 psi	345 bars
Maximum pressure to collector:	5000 psi	345 bars
Rotator motor inlet ports:	2 X 10 JIC	
Attachment inlet ports:	4 X 16 JIC	
Attachment outlet ports:	4 X 10 JIC - 3 X 16 JIC	
Additional inlet ports:	N/A	
Weight:	685 lb	311 kg



* SOME DIMENSIONS ARE AVAILABLE

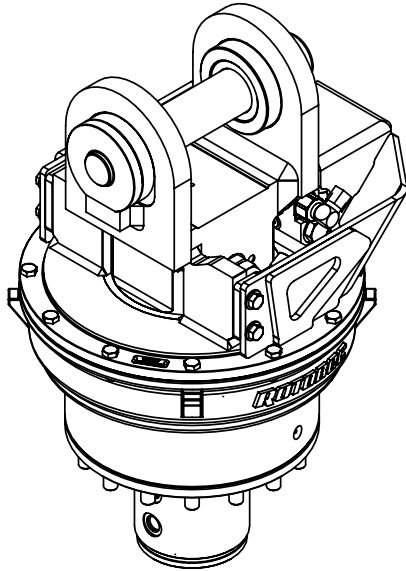
Options:

-
-
-
-

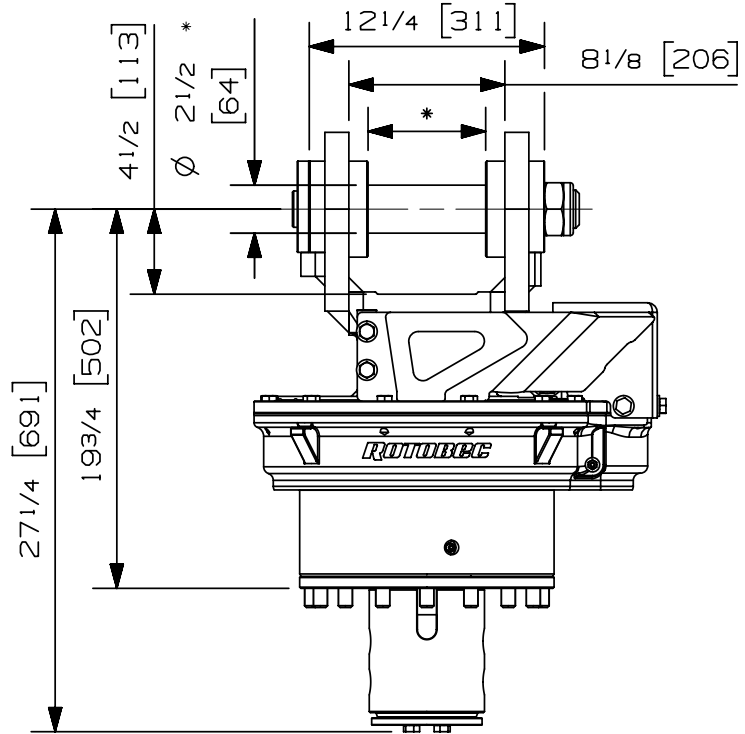
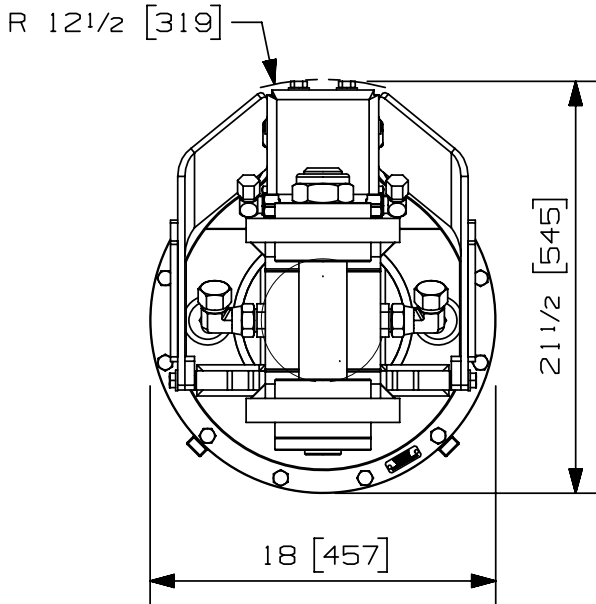
web site: www.rotobec.com

email: rotobec@rotobec.com

Rotobec Inc.: Head office serving OEM's and Eastern Canada Ph: (418) 383-3002 Fax: (418) 383-5334
Rotobec West: Branch serving Western Canada and Western USA Ph: (250) 765-1161 Fax: (250) 765-0035
Rotobec USA: Branch serving Eastern and Central USA Ph: (603) 444-2103 Fax: (603) 444-0327



Rotator type:	Continuous	
Maximum lift capacity:	100000 lb	45359 kg
Torque at relief pressure:	22360 lb-in	2526 Nm
	1450 psi	100 bars
Speed at recommended flow:	20 rpm	
Recommended flow to motor:	8 gpm	30 l/min
Maximum pressure to motor:	5000 psi	345 bars
Maximum pressure to collector:	5000 psi	345 bars
Rotator motor inlet ports:	2 X 10 JIC	
Attachment inlet ports:	2 X 16 JIC	
Attachment outlet ports:	4 X 10 ORB	
Additional inlet ports:	N/A	
Weight:	655 lb	297 kg



* SOME DIMENSIONS ARE AVAILABLE

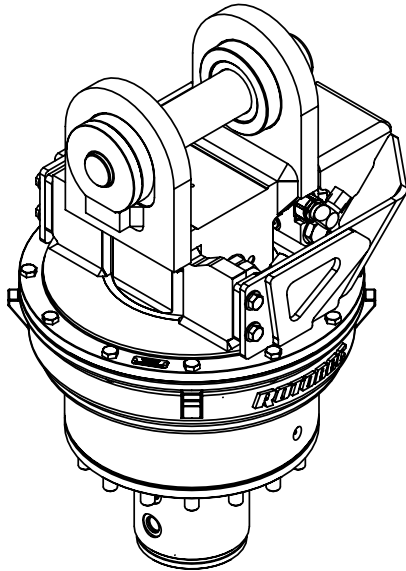
Options:

-
-
-
-

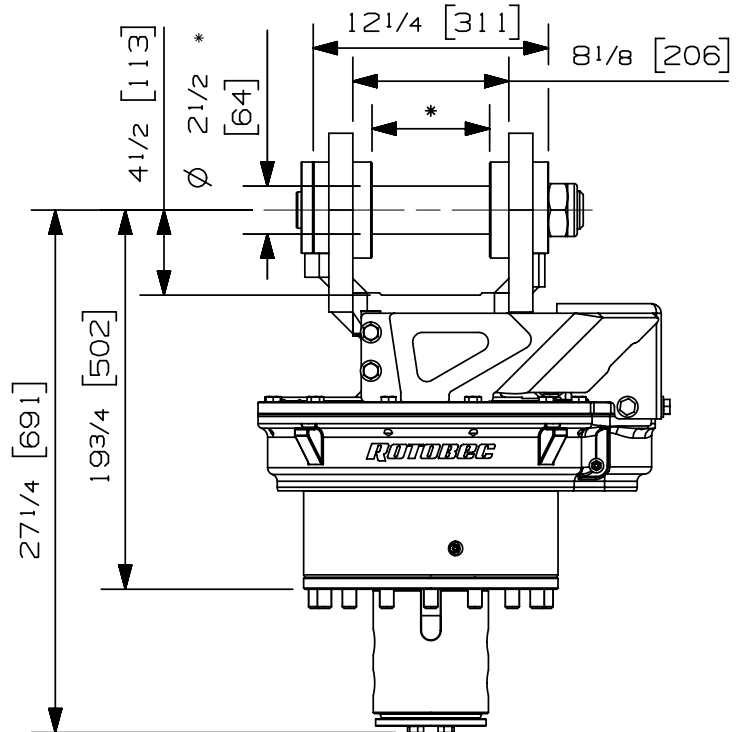
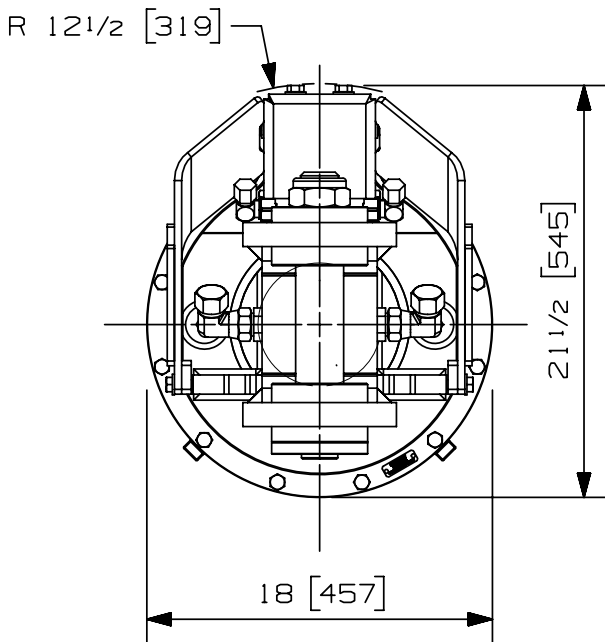
web site: www.rotobec.com

email: rotobec@rotobec.com

Rotobec Inc.: Head office serving OEM's and Eastern Canada Ph: (418) 383-3002 Fax: (418) 383-5334
Rotobec West: Branch serving Western Canada and Western USA Ph: (250) 765-1161 Fax: (250) 765-0035
Rotobec USA: Branch serving Eastern and Central USA Ph: (603) 444-2103 Fax: (603) 444-0327



Rotator type:	Continuous	
Maximum lift capacity:	100000 lb	45359 kg
Torque at relief pressure:	27910 lb-in	3153 Nm
	1810 psi	125 bars
Speed at recommended flow:	20 rpm	
Recommended flow to motor:	8 gpm	30 l/min
Maximum pressure to motor:	5000 psi	345 bars
Maximum pressure to collector:	5000 psi	345 bars
Rotator motor inlet ports:	2 X 10 JIC	
Attachment inlet ports:	2 X 16 JIC	
Attachment outlet ports:	4 X 10 ORB	
Additional inlet ports:	N/A	
Weight:	655 lb	297 kg



* SOME DIMENSIONS ARE AVAILABLE

Options:

-
-
-
-

web site: www.rotobec.com

email: rotobec@rotobec.com

Rotobec Inc.: Head office serving OEM's and Eastern Canada Ph: (418) 383-3002 Fax: (418) 383-5334
Rotobec West: Branch serving Western Canada and Western USA Ph: (250) 765-1161 Fax: (250) 765-0035
Rotobec USA: Branch serving Eastern and Central USA Ph: (603) 444-2103 Fax: (603) 444-0327