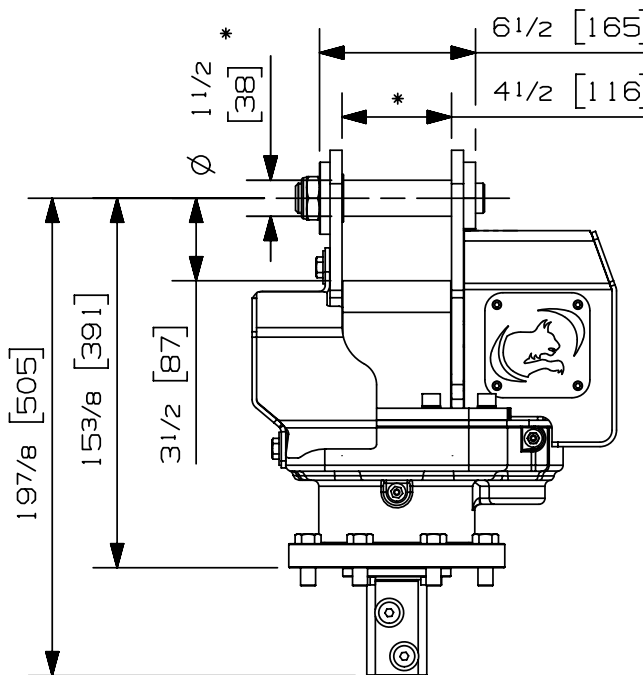
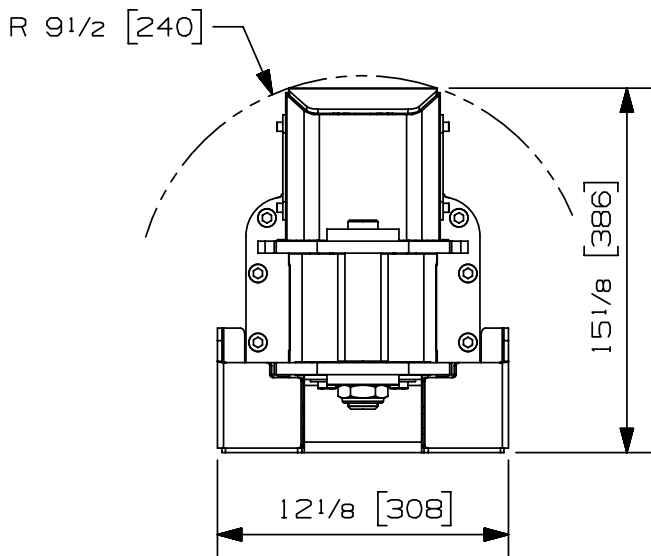


Rotator type:	Continuous	
Maximum lift capacity:	14000 lb	6350 kg
Torque at relief pressure:	8450 lb-in	955 Nm
	913 psi	63 bars
Speed at recommended flow:	30 rpm	
Recommended flow to motor:	8 gpm	30 l/min
Maximum pressure to motor:	5000 psi	345 bars
Maximum pressure to collector:	5000 psi	345 bars
Rotator motor inlet ports:	2 X 10 JIC	
Attachment inlet ports:	2 X 10 JIC	
Attachment outlet ports:	4 X 08 ORB	
Additional inlet ports:	N/A	
Weight:	205 lb	93 kg



* SOME DIMENSIONS ARE AVAILABLE

Options:

-
-
-
-

web site: www.rotobec.com

email: rotobec@rotobec.com

Rotobec Inc.: Head office serving OEM's and Eastern Canada Ph: (418) 383-3002 Fax: (418) 383-5334
Rotobec West: Branch serving Western Canada and Western USA Ph: (250) 765-1161 Fax: (250) 765-0035
Rotobec USA: Branch serving Eastern and Central USA Ph: (603) 444-2103 Fax: (603) 444-0327