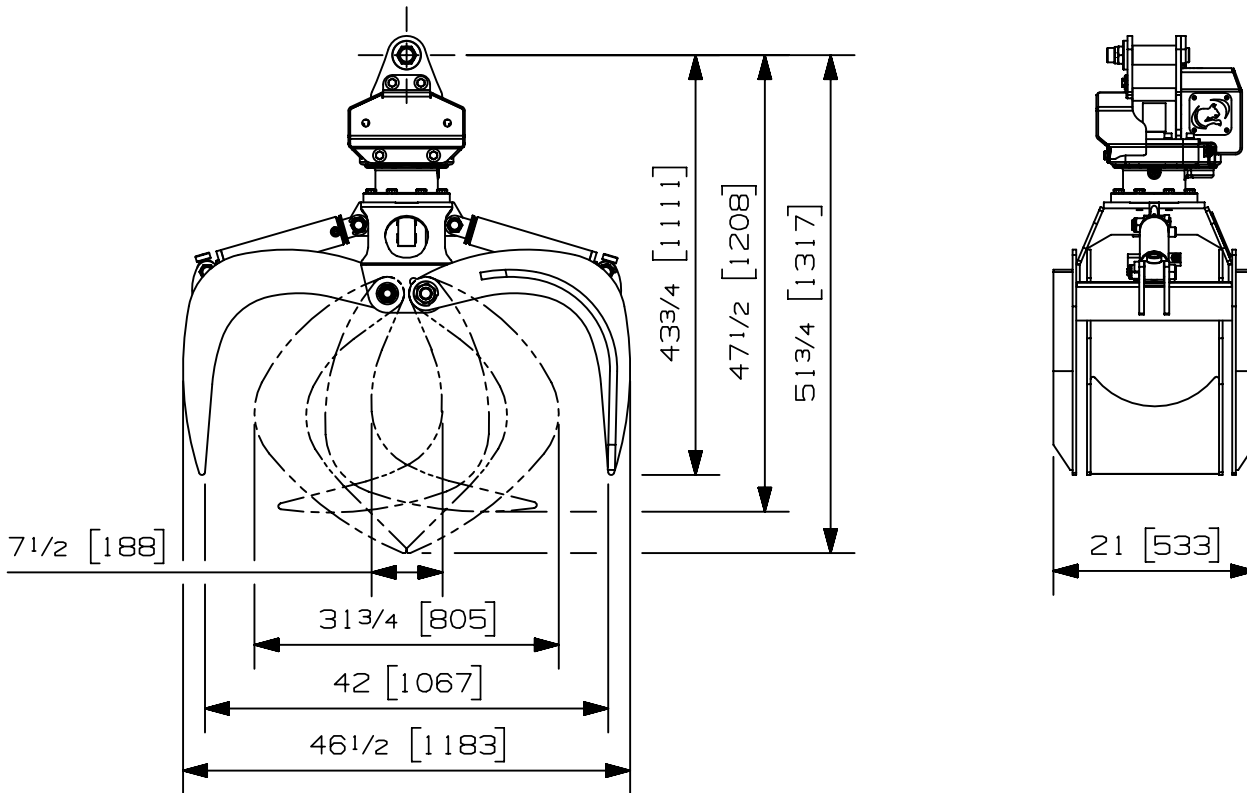


Max load:	n/a lb	n/a kg
Volume:	.15 Cord of 8 ft	.54 m ³
Area tip to tip:	2.35 ft ²	.22 m ²
Rotator lifting capacity:	14000 lb	6350 kg
Torque at relief pressure:	8450 lb-in 913 psi	955 Nm 63 bars
Weight:	520 lb	236 kg

Rotator	Maximum pressure: 5000 psi 345 bars	Recommended flow: 8 gpm 30 l/min
Rotator recommended flow will produce a speed of 30 rpm		

Cylinder	Diameter	Recommended pressure	Pressure range	Flow range	Lock valves
Standard	2 1/2 " (64 mm)	2250 psi (155 bars)	2000-2500 psi (138-172 bars)	7-10 gpm (26-38 l/min.)	no

Grapple cylinder maximum flow will theoretically produce a complete grapple open/close cycle in 4 seconds.



Options:

- Leveling plate
- Log protection package, including shaft on jaw tips and protection strips on jaw edges
- Shaft on jaw tips to prevent log damage
-

web site: www.rotobec.com

email: rotobec@rotobec.com

Rotobec Inc.: Head office serving OEM's and Eastern Canada Ph: (418) 383-3002 Fax: (418) 383-5334
Rotobec West: Branch serving Western Canada and Western USA Ph: (250) 765-1161 Fax: (250) 765-0035
Rotobec USA: Branch serving Eastern and Central USA Ph: (603) 444-2103 Fax: (603) 444-0327