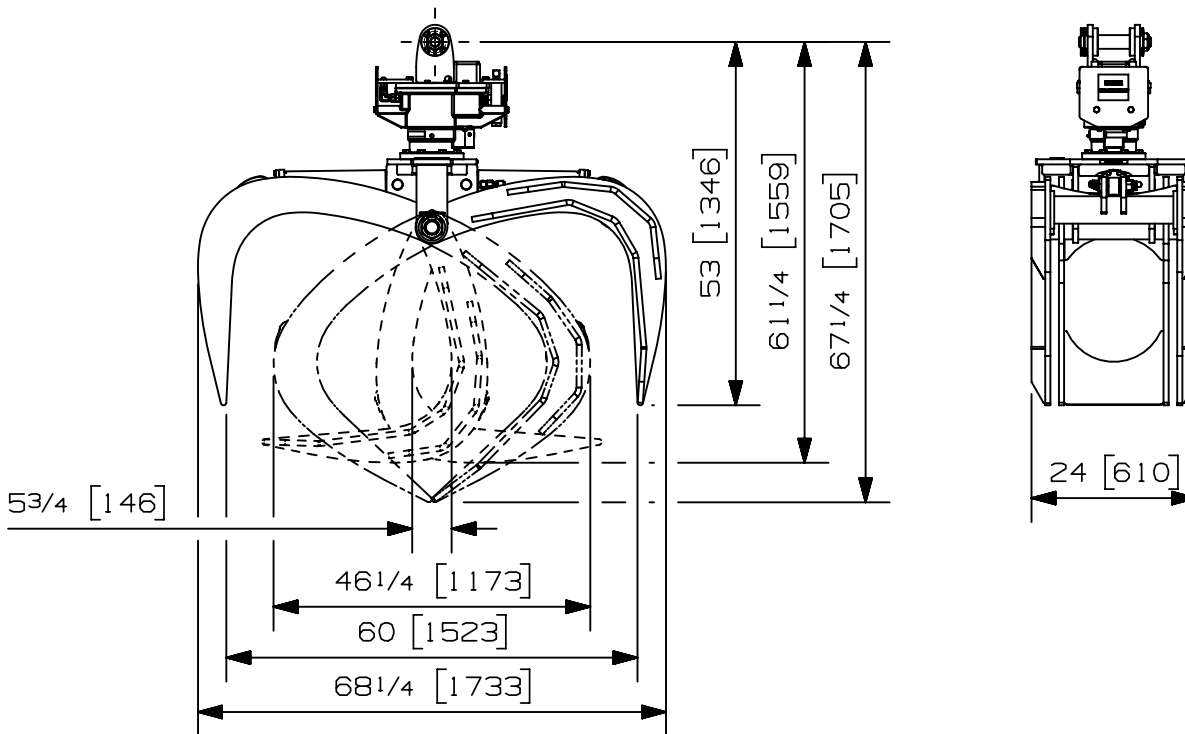


Max load:	n/a lb	n/a kg
Volume:	.33 cord of 8 ft	1.21 m ³
Area tip to tip:	5.30 ft ²	.49 m ²
Rotator lifting capacity:	18000 lb	8165 kg
Torque at relief pressure:	8450 lb-in	955 Nm
	913 psi	63 bars
Weight:	1000 lb	454 kg

Rotator	Maximum pressure: 4000 psi 276 bars	Recommended flow: 8 gpm 30 l/min
Rotator recommended flow will produce a maximum speed of 30 rpm		

Cylinder	Diameter	Recommended pressure	Pressure range	Flow range	Lock valves
Standard	3 1/2 " (89 mm)	2350 psi (162 bars)	2000-2700 psi (138-186 bars)	16-24 gpm (61-91 l/min.)	no
Standard	3 " (76 mm)	3250 psi (224 bars)	2800-3700 psi (193-255 bars)	11-16 gpm (42-61 l/min.)	no

Grapple cylinder maximum flow will theoretically produce a complete grapple open/close cycle in 4 seconds.



Options:

- Leveling plate (185 lbs / 84 kg)
- Closed wide jaw (15 lbs / 7 kg)
- Log protection package, including shaft on jaw tips and protection strips on jaw edges
- Shaft on jaw tips to prevent log damage

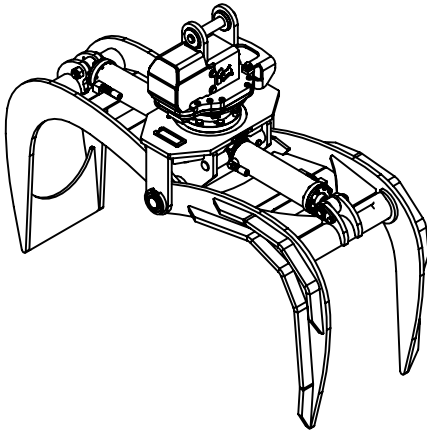
web site: www.rotobec.com

email: rotobec@rotobec.com

Rotobec Inc.: Head office serving OEM's and Eastern Canada Ph: (418) 383-3002 Fax: (418) 383-5334
Rotobec West: Branch serving Western Canada and Western USA Ph: (250) 765-1161 Fax: (250) 765-0035
Rotobec USA: Branch serving Eastern and Central USA Ph: (603) 444-2103 Fax: (603) 444-0327

We reserve the right to change specifications and to improve our products without notice or obligation.

07008-3197
14/02/19 D.L.

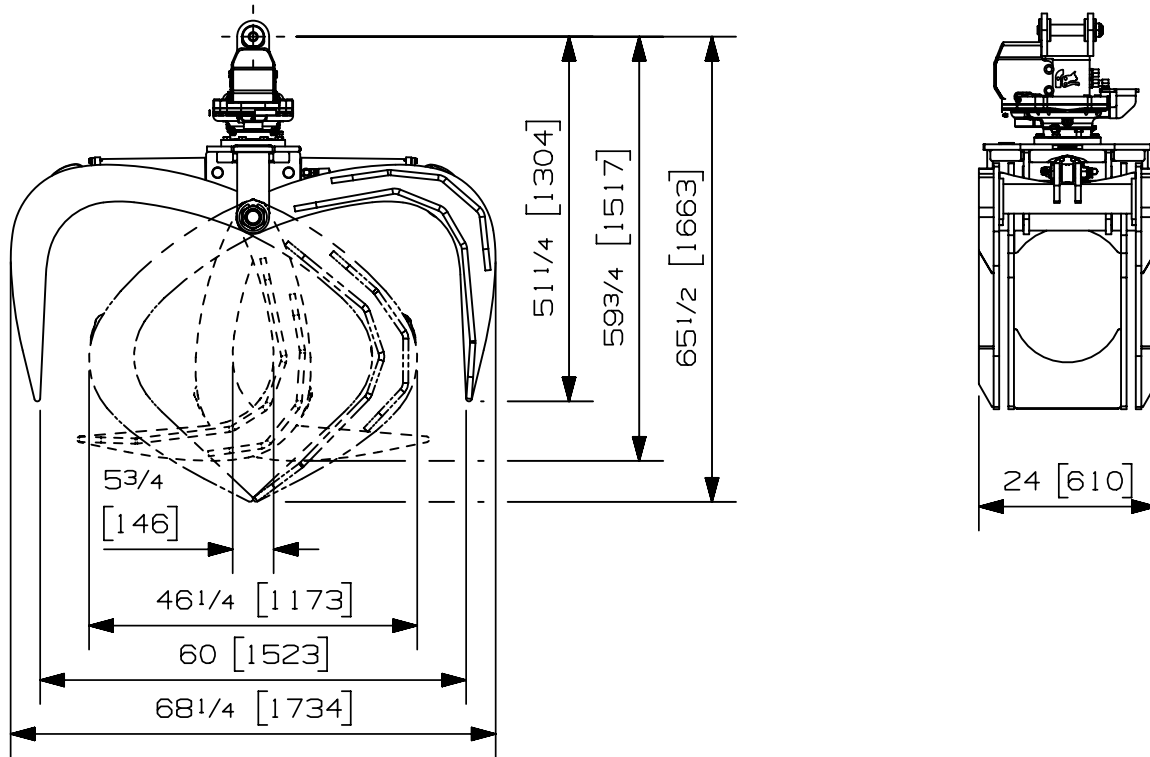


Max load:	n/a lb	n/a kg
Volume:	.33 cord of 8 ft	1.20 m ³
Area tip to tip:	5.44 ft ²	.51 m ²
Rotator lifting capacity:	22000 lb	9979 kg
Torque at relief pressure:	10700 lb-in 913 psi	1209 Nm 63 bars
Weight:	1000 lb	454 kg

Rotator	Maximum pressure: 5000 psi 345 bars	Recommended flow: 10 gpm 38 l/min
Rotator recommended flow will produce a speed of 30 rpm		

Cylinder	Diameter	Recommended pressure	Pressure range	Flow range	Lock valves
Standard	3 1/2 " (89 mm)	2350 psi (162 bars)	2000-2700 psi (138-186 bars)	16-24 gpm (61-91 l/min.)	no
Optional	3 " (76 mm)	3250 psi (224 bars)	2800-3700 psi (193-255 bars)	11-16 gpm (42-61 l/min.)	no

Grapple cylinder maximum flow will theoretically produce a complete grapple open/close cycle in 4 seconds.



Options:

- Leveling plate. (185 lbs / 84 kg)
- Closed wide jaw. (15 lbs / 7 kg)
- Log protection package, including shaft on jaw tips and protection strips on jaw edges
- Shaft on jaw tips to prevent log damage

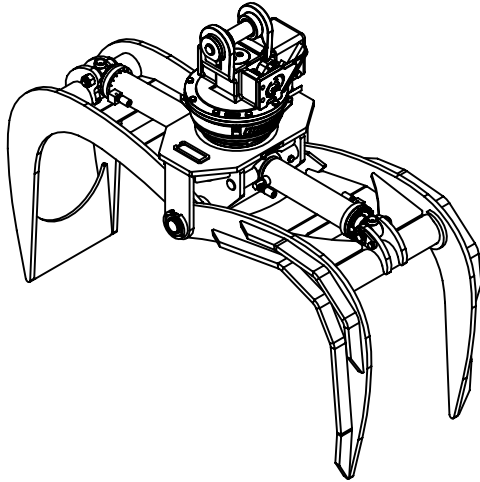
web site: www.rotobec.com

email: rotobec@rotobec.com

Rotobec Inc.: Head office serving OEM's and Eastern Canada Ph: (418) 383-3002 Fax: (418) 383-5334
Rotobec West: Branch serving Western Canada and Western USA Ph: (250) 765-1161 Fax: (250) 765-0035
Rotobec USA: Branch serving Eastern and Central USA Ph: (603) 444-2103 Fax: (603) 444-0327

We reserve the right to change specifications and to improve our products without notice or obligation.

07003-0499
06/02/19 D.L.

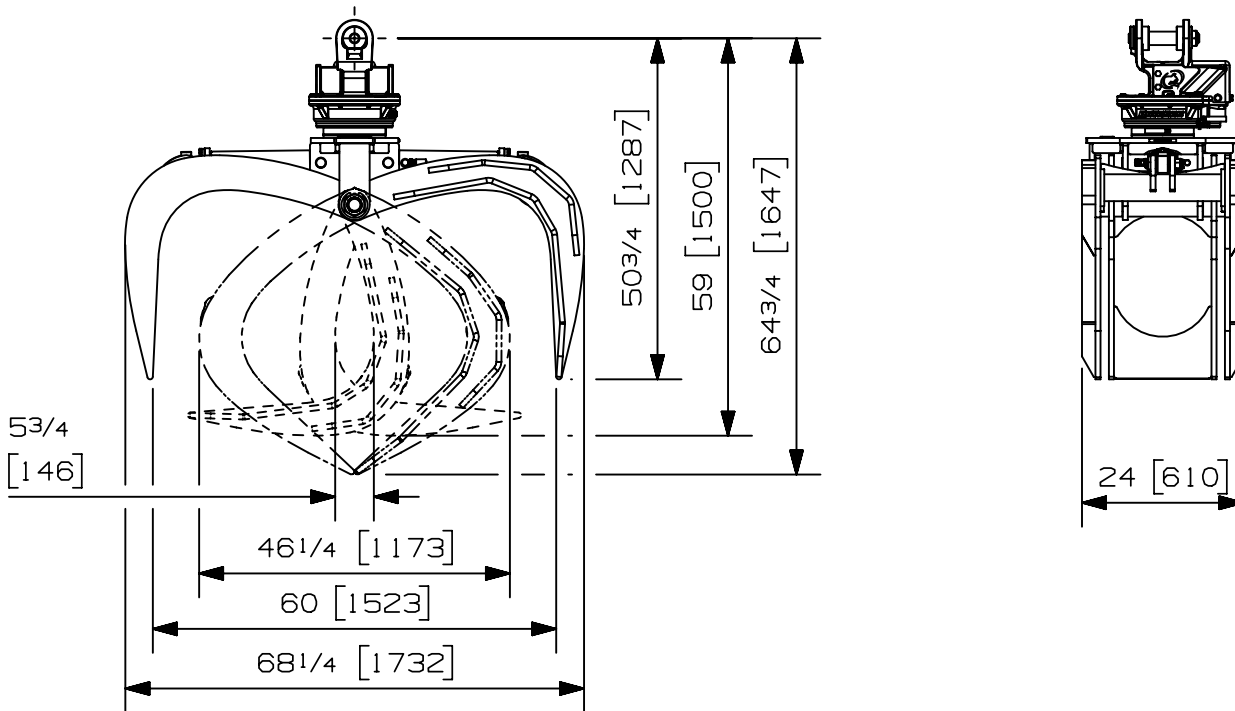


Max load:	n/a lb	n/a kg
Volume:	.33 cord of 8 ft	1.20 m ³
Area tip to tip:	5.44 ft ²	.51 m ²
Rotator lifting capacity:	25000 lb	11340 kg
Torque at relief pressure:	16150 lb-in 1450 psi	1825 Nm 100 bars
Weight:	1045 lb	474 kg

Rotator	Maximum pressure: 5000 psi 345 bars	Recommended flow: 9 gpm 34 l/min
Rotator recommended flow will produce a speed of 30 rpm		

Cylinder	Diameter	Recommended pressure	Pressure range	Flow range	Lock valves
Standard	3 1/2 " (89 mm)	2350 psi (162 bars)	2000-2700 psi (138-186 bars)	16-24 gpm (61-91 l/min.)	no
Standard	3 " (76 mm)	3250 psi (224 bars)	2800-3700 psi (193-255 bars)	11-16 gpm (42-61 l/min.)	no

Grapple cylinder maximum flow will theoretically produce a complete grapple open/close cycle in 4 seconds.



Options:

- Leveling plate (185 lbs / 84 kg)
- Closed wide jaw (15 lbs / 7 kg)
- Log protection package, including shaft on jaw tips and protection strips on jaw edges
- Shaft on jaw tips to prevent log damage

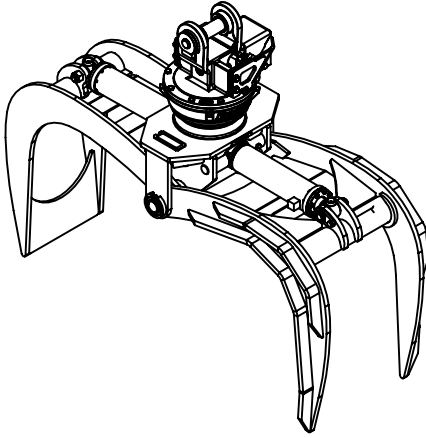
web site: www.rotobec.com

email: rotobec@rotobec.com

Rotobec Inc.: Head office serving OEM's and Eastern Canada Ph: (418) 383-3002 Fax: (418) 383-5334
Rotobec West: Branch serving Western Canada and Western USA Ph: (250) 765-1161 Fax: (250) 765-0035
Rotobec USA: Branch serving Eastern and Central USA Ph: (603) 444-2103 Fax: (603) 444-0327

We reserve the right to change specifications and to improve our products without notice or obligation.

07008-2761
06/02/19 D.L.

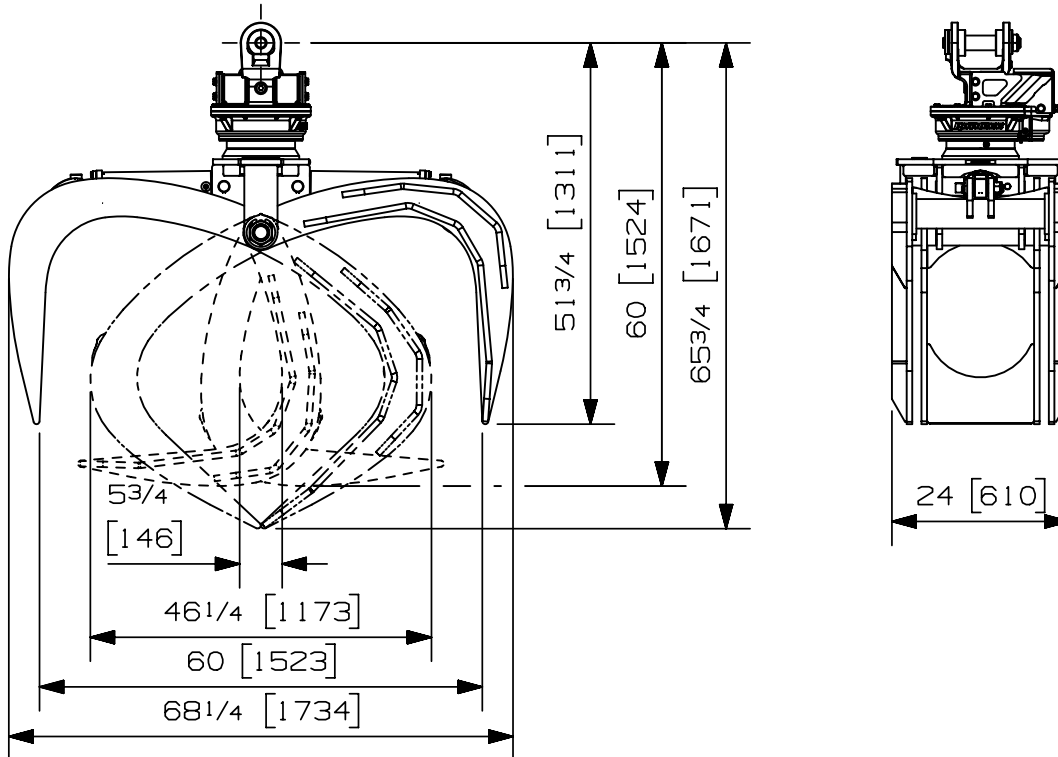


Max load:	n/a lb	n/a kg
Volume:	.33 cord of 8 ft	1.20 m ³
Area tip to tip:	5.44 ft ²	.51 m ²
Rotator lifting capacity:	32000 lb	14515 kg
Torque at relief pressure:	16150 lb-in	1825 Nm
	1450 psi	100 bars
Weight:	1095 lb	497 kg

Rotator	Maximum pressure: 5000 psi 345 bars	Recommended flow: 9 gpm 34 l/min
Rotator recommended flow will produce a speed of 30 rpm		

Cylinder	Diameter	Recommended pressure	Pressure range	Flow range	Lock valves
Standard	3 1/2 " (89 mm)	2350 psi (162 bars)	2000-2700 psi (138-186 bars)	16-24 gpm (61-91 l/min.)	no
Optional	3 " (76 mm)	3250 psi (224 bars)	2800-3700 psi (193-255 bars)	11-16 gpm (42-61 l/min.)	no

Grapple cylinder maximum flow will theoretically produce a complete grapple open/close cycle in 4 seconds.



Options:

- Leveling plate. (185 lbs / 84 kg)
- Closed wide jaw. (15 lbs / 7 kg)
- Log protection package, including shaft on jaw tips and protection strips on jaw edges
- Shaft on jaw tips to prevent log damage

web site: www.rotobec.com

email: rotobec@rotobec.com

Rotobec Inc.: Head office serving OEM's and Eastern Canada Ph: (418) 383-3002 Fax: (418) 383-5334
Rotobec West: Branch serving Western Canada and Western USA Ph: (250) 765-1161 Fax: (250) 765-0035
Rotobec USA: Branch serving Eastern and Central USA Ph: (603) 444-2103 Fax: (603) 444-0327

We reserve the right to change specifications and to improve our products without notice or obligation.

07009-0677
14/02/19 D.L.