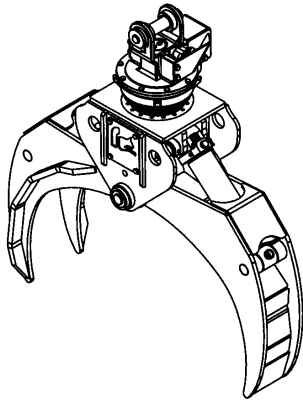




Log grapple

4048HD with rotator RT-252



Opening	48 in. (1219 mm)
Closing	4 in. (102 mm)
Volume	.190 cord of 8 ft. wood
Area tip to tip	3.1 sq. ft. (.28 sq. meter)
Rotator lifting capacity	25000 lb (11340 kg)
Torque at relief pressure	16150 in.lb (1825 Nm) @ 1450 psi (100 bars)
Steel* thickness	3/4" (19 mm)
Weight	1275 lb (578 kg)

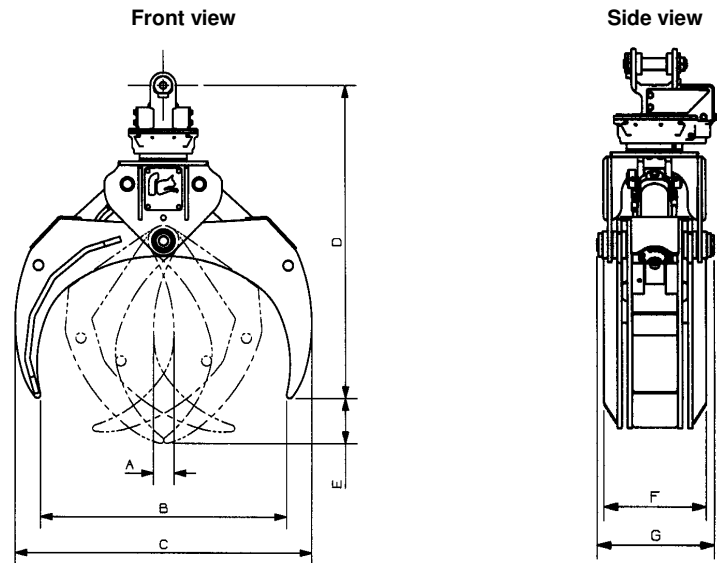
*High tensile strength steel: 165,000 psi (1138 MPa)

Rotator	Maximum pressure: 5000 psi (345 bars)	Recommended flow: 9 gpm (34 l/min.)
Rotator recommended flow will produce a speed of 30 rpm.		

Cylinder	Diameter	Recommended pressure	Pressure range	Flow range	Lock valves
Standard	3 1/2" (89 mm)	3000 psi (207 bars)	2500 - 5000 psi (172 - 345 bars)	15 - 23 gpm (57 - 87 l/min.)	yes

Grapple cylinder maximum flow will theoretically produce a complete grapple open/close cycle in 4 seconds.

Reference	Dimension
A	4 in. (102 mm)
B	48 in. (1219 mm)
C	57 7/8 in. (1470 mm)
D	61 in. (1549 mm)
E	8 3/4 in. (222 mm)
F	17 in. (432 mm)
G	19 1/2 in. (495 mm)
H	



OPTIONS: Log protection package, including shaft on jaw tips and protection strips on jaw edges. Jaw tip modification to prevent log damage (available on heavy-duty models, standard on super-heavy-duty models). Impact protection relief valve.

web site: www.rotobec.com

e-mail: rotobec@rotobec.com

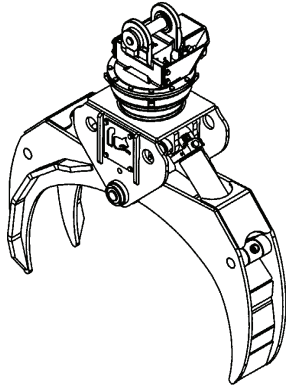
Rotobec Inc.: Head office serving OEM's and Eastern Canada
 Rotobec West: Branch serving Western Canada and Western USA
 Rotobec USA: Branch serving Eastern and Central USA

Ph: (418) 383-3002 Fax: (418) 383-5334
 Ph: (250) 765-1161 Fax: (250) 765-0035
 Ph: (603) 444-2103 Fax: (603) 444-0327



Log grapple

4048HD with rotator RT-322



Opening	48 in. (1219 mm)
Closing	4 in. (102 mm)
Volume	.190 cord of 8 ft. wood
Area tip to tip	3.1 sq. ft. (.28 sq. meter)
Rotator lifting capacity	32000 lb (14515 kg)
Torque at relief pressure	12920 in.lb (1460 Nm) @ 1160 psi (80 bars)
Steel* thickness	3/4" (19 mm)
Weight	1375 lb (624 kg)

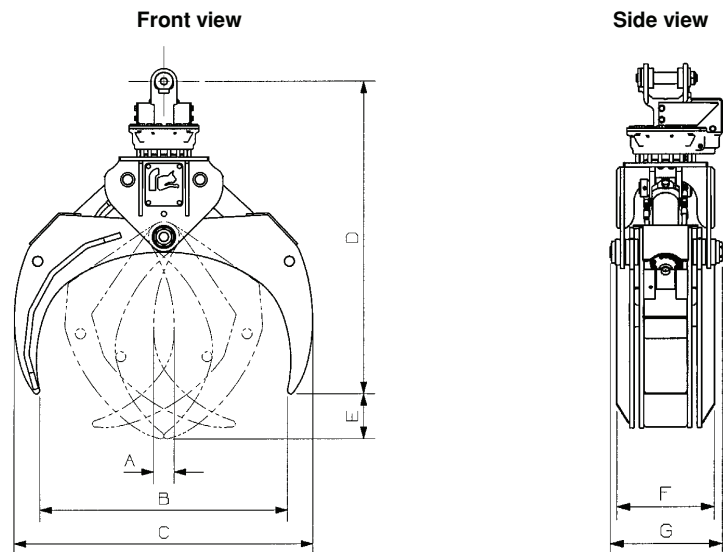
*High tensile strength steel: 165,000 psi (1138 MPa)

Rotator	Maximum pressure: 5000 psi (345 bars)	Recommended flow: 9 gpm (34 l/min.)
Rotator recommended flow will produce a speed of 30 rpm.		

Cylinder	Diameter	Recommended pressure	Pressure range	Flow range	Lock valves
Standard	3 1/2" (89 mm)	3000 psi (207 bars)	2500 - 5000 psi (172 - 345 bars)	15 - 23 gpm (57 - 87 l/min.)	yes

Grapple cylinder maximum flow will theoretically produce a complete grapple open/close cycle in 4 seconds.

Reference	Dimension
A	4 in. (102 mm)
B	48 in. (1219 mm)
C	57 7/8 in. (1470 mm)
D	61 7/8 in. (1572 mm)
E	8 3/4 in. (222 mm)
F	17 in. (432 mm)
G	19 1/2 in. (495 mm)
H	



OPTIONS: Log protection package, including shaft on jaw tips and protection strips on jaw edges. Jaw tip modification to prevent log damage (available on heavy-duty models, standard on super-heavy-duty models). Impact protection relief valve.

web site: www.rotobec.com

e-mail: rotobec@rotobec.com

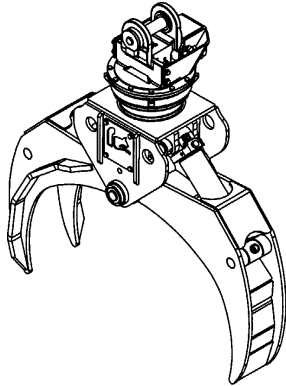
Rotobec Inc.: Head office serving OEM's and Eastern Canada
 Rotobec West: Branch serving Western Canada and Western USA
 Rotobec USA: Branch serving Eastern and Central USA

Ph: (418) 383-3002 Fax: (418) 383-5334
 Ph: (250) 765-1161 Fax: (250) 765-0035
 Ph: (603) 444-2103 Fax: (603) 444-0327



Log grapple

4048HD with rotator RT-504



Opening	48 in. (1219 mm)
Closing	4 in. (102 mm)
Volume	.190 cord of 8 ft. wood
Area tip to tip	3.1 sq. ft. (.28 sq. meter)
Rotator lifting capacity	50000 lb (22680 kg)
Torque at relief pressure	14910 in.lb (1685 Nm) @ 1160 psi (80 bars)
Steel* thickness	3/4" (19 mm)
Weight	1450 lb (658 kg)

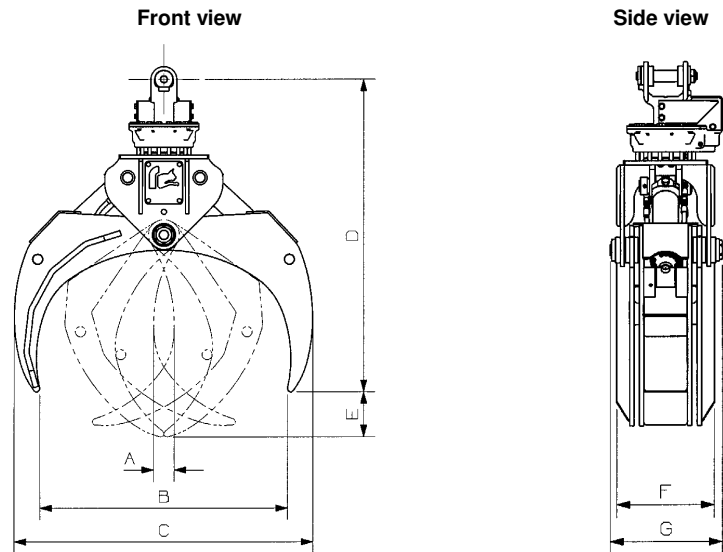
*High tensile strength steel: 165,000 psi (1138 MPa)

Rotator	Maximum pressure: 5000 psi (345 bars)	Recommended flow: 9 gpm (34 l/min.)
Rotator recommended flow will produce a speed of 25 rpm.		

Cylinder	Diameter	Recommended pressure	Pressure range	Flow range	Lock valves
Standard	3 1/2" (89 mm)	3000 psi (207 bars)	2500 - 5000 psi (172 - 345 bars)	15 - 23 gpm (57 - 87 l/min.)	yes

Grapple cylinder maximum flow will theoretically produce a complete grapple open/close cycle in 4 seconds.

Reference	Dimension
A	4 in. (102 mm)
B	48 in. (1219 mm)
C	57 7/8 in. (1470 mm)
D	63 in. (1600 mm)
E	8 3/4 in. (222 mm)
F	17 in. (432 mm)
G	19 1/2 in. (495 mm)
H	



OPTIONS: RotoCut saw unit. Log protection package, including shaft on jaw tips and protection strips on jaw edges. Jaw tip modification to prevent log damage (available on heavy-duty models, standard on super-heavy-duty models). Impact protection relief valve.

web site: www.rotobec.com

e-mail: rotobec@rotobec.com

Rotobec Inc.: Head office serving OEM's and Eastern Canada
 Rotobec West: Branch serving Western Canada and Western USA
 Rotobec USA: Branch serving Eastern and Central USA

Ph: (418) 383-3002 Fax: (418) 383-5334
 Ph: (250) 765-1161 Fax: (250) 765-0035
 Ph: (603) 444-2103 Fax: (603) 444-0327