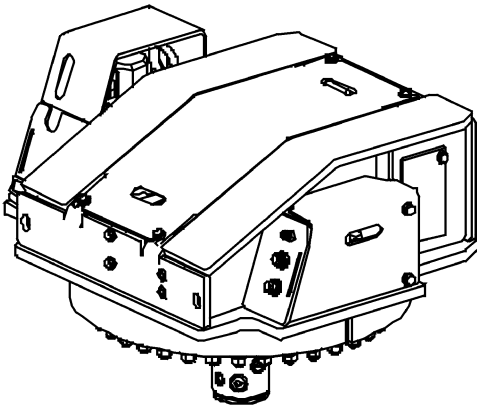




ROTOBEC™

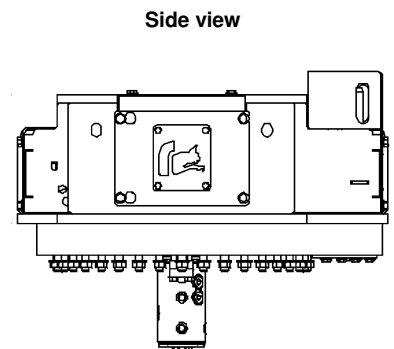
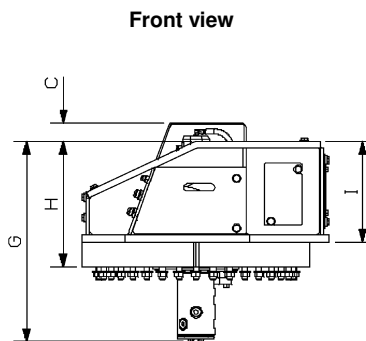
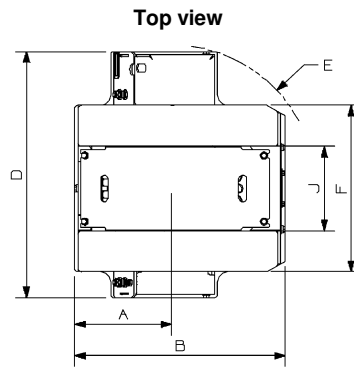
Rotator

RGP-1704-2



Rotator type	Continuous, open gears
Maximum lift capacity	170000 lb (77111 kg)
Torque at relief pressure	218520 in. lb (24692 Nm) @ 2200 psi (152 bars)
Speed at recommended flow	12 rpm
Recommended flow	32 gpm (121 l/min.)
Maximum pressure to motor	5000 psi (345 bars)
Maximum pressure to cylinders	5000 psi (345 bars)
Rotator motor ports	2 x 16 JIC + 1 x 10 JIC
Collector upper ports	2 x 16 JIC
Collector lower ports	5 x 16 ORB + 4 x 10 ORB
Weight	2125 lb (964 kg)

Reference	Dimension
A	18 1/4 in. (464 mm)
B	39 5/8 in. (1006 mm)
C	3 in. (76 mm)
D	46 1/2 in. (1181 mm)
E	27 1/8 in. (689 mm)
F	31 1/2 in. (800 mm)
G	32 1/4 in. (819 mm)
H	20 1/4 in. (514 mm)
I	16 1/4 in. (413 mm)
J	16 in. (406 mm)
K	
L	



* Dimensions may vary.

OPTIONS: Pin-on or quick attach lugging. 3 section valve in head. Float.
Weight is without options.

web site: www.rotobec.com

e-mail: rotobec@rotobec.com

Rotobec Inc.: Head office serving OEM's and Eastern Canada
Rotobec West: Branch serving Western Canada and Western USA
Rotobec USA: Branch serving Eastern and Central USA

Ph: (418) 383-3002 Fax: (418) 383-5334
Ph: (250) 765-1161 Fax: (250) 765-0035
Ph: (603) 444-2103 Fax: (603) 444-0327