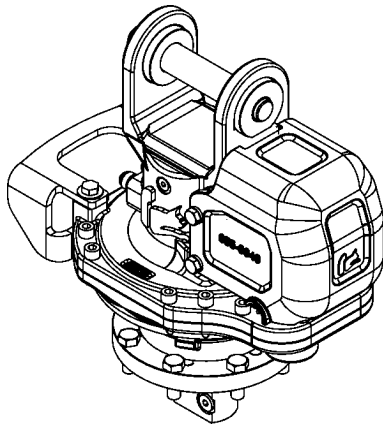




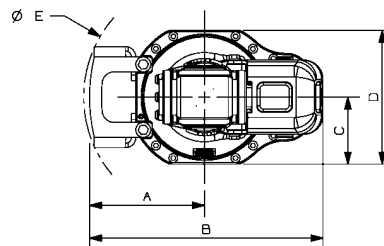
# Rotator

## RT-222-2



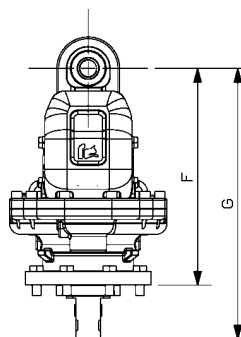
|                                      |   |
|--------------------------------------|---|
| <b>Rotator type</b>                  | Continuous, sealed                        |
| <b>Maximum lift capacity</b>         | 22000 lb (9980 kg)                        |
| <b>Torque at relief pressure</b>     | 10700 in.lb (1209 Nm) @ 913 psi (63 bars) |
| <b>Speed at recommended flow</b>     | 30 rpm                                    |
| <b>Recommended flow</b>              | 10 gpm (38 l/min.)                        |
| <b>Maximum pressure to motor</b>     | 5000 psi (345 bars)                       |
| <b>Maximum pressure to cylinders</b> | N/A                                       |
| <b>Rotator motor ports</b>           | 2 x 10 JIC                                |
| <b>Collector upper ports</b>         | 2 x 10 JIC                                |
| <b>Collector lower ports</b>         | 4 x 08 ORB                                |
| <b>Weight</b>                        | 225 lb (102 kg)                           |

Top view

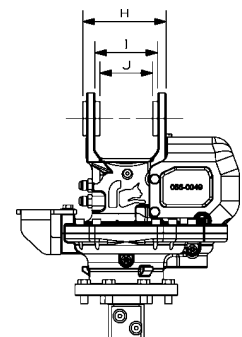


| Reference | Dimension           |
|-----------|---------------------|
| A         | 9 5/8 in. (244 mm)  |
| B         | 19 1/2 in. (495 mm) |
| C         | 5 5/8 in. (143 mm)  |
| D         | 11 1/4 in. (286 mm) |
| E         | 20 1/4 in. (514 mm) |
| F         | 15 1/2 in. (394 mm) |
| G         | 19 3/8 in. (492 mm) |
| H         | 7 1/4 in. (184 mm)  |
| I         | 5 1/2 in. (140 mm)  |
| J         | *                   |
| K         |                     |
| L         |                     |

Front view



Side view



\* Dimensions may vary.

web site: [www.rotobec.com](http://www.rotobec.com)

e-mail: [rotobec@rotobec.com](mailto:rotobec@rotobec.com)

Rotobec Inc.: Head office serving OEM's and Eastern Canada  
 Rotobec West: Branch serving Western Canada and Western USA  
 Rotobec USA: Branch serving Eastern and Central USA

Ph: (418) 383-3002 Fax: (418) 383-5334  
 Ph: (250) 765-1161 Fax: (250) 765-0035  
 Ph: (603) 444-2103 Fax: (603) 444-0327