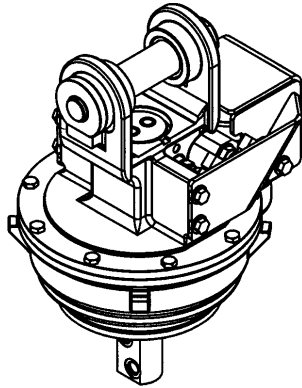




# Rotator

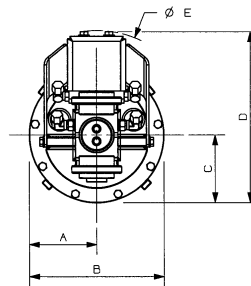
## RT-252-1



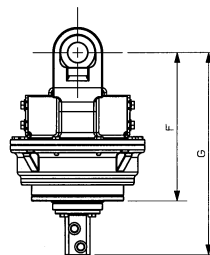
<b>Rotator type</b>	Continuous, sealed
<b>Maximum lift capacity</b>	25000 lb (11340 kg)
<b>Torque at relief pressure</b>	16150 in.lb (1825 Nm) @ 1450 psi (100 bars)
<b>Speed at recommended flow</b>	30 rpm
<b>Recommended flow</b>	9 gpm (34 l/min.)
<b>Maximum pressure to motor</b>	5000 psi (345 bars)
<b>Maximum pressure to cylinders</b>	5000 psi (345 bars)
<b>Rotator motor ports</b>	2 x 10 JIC
<b>Collector upper ports</b>	2 x 10 JIC
<b>Collector lower ports</b>	4 x 08 ORB
<b>Weight</b>	270 lb (122 kg)

Reference	Dimension
A	6 3/4 in. (171 mm)
B	13 1/2 in. (343 mm)
C	6 3/4 in. (171 mm)
D	17 1/8 in. (435 mm)
E	21 in. (533 mm)
F	14 7/8 in. (378 mm)
G	20 1/4 in. (514 mm)
H	8 5/8 in. (219 mm)
I	6 1/8 in. (156 mm)
J	*
K	
L	

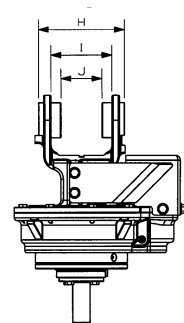
Top view



Front view



Side view



\* Dimensions may vary.

web site: [www.rotobec.com](http://www.rotobec.com)

e-mail: [rotobec@rotobec.com](mailto:rotobec@rotobec.com)

Rotobec Inc.: Head office serving OEM's and Eastern Canada  
 Rotobec West: Branch serving Western Canada and Western USA  
 Rotobec USA: Branch serving Eastern and Central USA

Ph: (418) 383-3002 Fax: (418) 383-5334  
 Ph: (250) 765-1161 Fax: (250) 765-0035  
 Ph: (603) 444-2103 Fax: (603) 444-0327