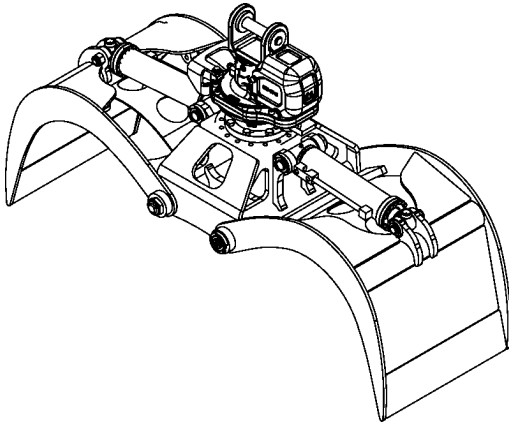




Pulpwood grapple

045 with rotator RT-222



Opening	70 3/8 in. (1788 mm)
Closing	30 5/8 in. (778 mm)
Volume	.292 cord of 8 ft. wood
Area tip to tip	4.7 sq. ft. (.43 sq. meter)
Rotator lifting capacity	22000 lb (9980 kg)
Torque at relief pressure	10700 in.lb (1209 Nm) @ 913 psi (63 bars)
Steel* thickness	1/2" (13 mm)
Weight	928 lb (421 kg)

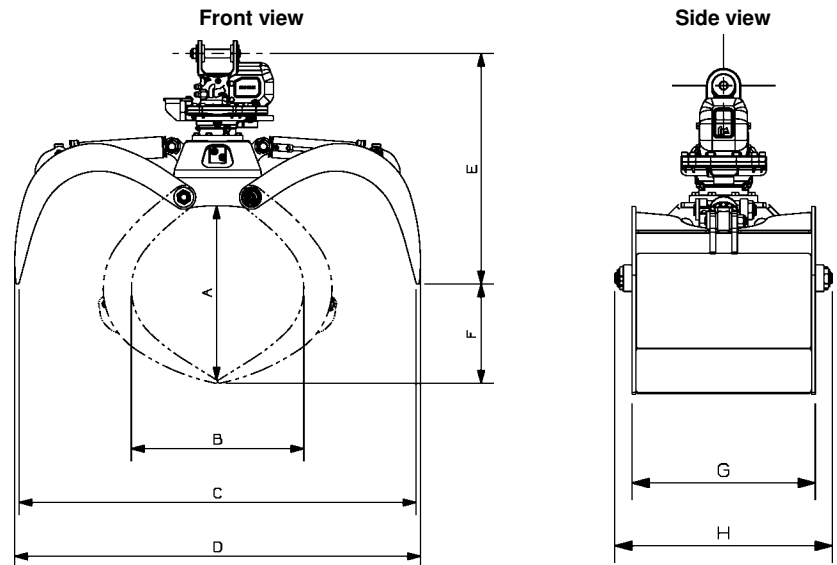
*High tensile strength steel: 165,000 psi (1138 MPa)

Rotator	Maximum pressure: 5000 psi (345 bars)	Recommended flow: 10 gpm (38 l/min.)
Rotator recommended flow will produce a speed of 30 rpm.		

Cylinder	Diameter	Recommended pressure	Pressure range	Flow range	Lock valves
Standard	3 1/2" (89 mm)	2350 psi (162 bars)	2000 - 2700 psi (138 - 186 bars)	15 - 22 gpm (57 - 83 l/min.)	no
Standard	3" (76 mm)	3250 psi (224 bars)	2800 - 3700 psi (193 - 255 bars)	10 - 15 gpm (38 - 57 l/min.)	no

Grapple cylinder maximum flow will theoretically produce a complete grapple open/close cycle in 4 seconds.

Reference	Dimension
A	31 in. (787 mm)
B	30 5/8 in. (778 mm)
C	70 3/8 in. (1788 mm)
D	72 in. (1829 mm)
E	40 3/4 in. (1035 mm)
F	17 5/8 in. (448 mm)
G	24 1/8 in. (613 mm)
H	28 5/8 in. (727 mm)



OPTIONS: Leveling plate 140 lb. Chain 95 lb.

web site: www.rotobec.com

e-mail: rotobec@rotobec.com

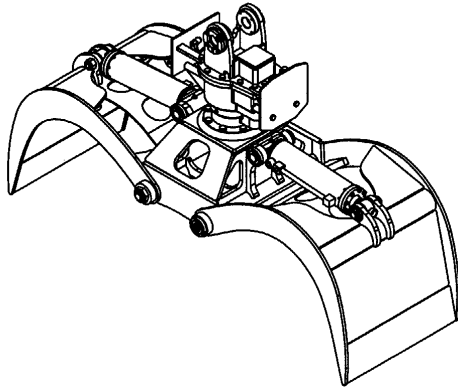
Rotobec Inc.: Head office serving OEM's and Eastern Canada
 Rotobec West: Branch serving Western Canada and Western USA
 Rotobec USA: Branch serving Eastern and Central USA

Ph: (418) 383-3002 Fax: (418) 383-5334
 Ph: (250) 765-1161 Fax: (250) 765-0035
 Ph: (603) 444-2103 Fax: (603) 444-0327



Pulpwood grapple

045 with rotator R-9150



Opening	70 3/8 in. (1788 mm)
Closing	30 5/8 in. (778 mm)
Volume	.292 cord of 8 ft. wood
Area tip to tip	4.7 sq. ft. (.43 sq. meter)
Rotator lifting capacity	18000 lb (8165 kg)
Torque at relief pressure	8450 in.lb (955 Nm) @ 913 psi (63 bars)
Steel* thickness	1/2" (13 mm)
Weight	945 lb (429 kg)

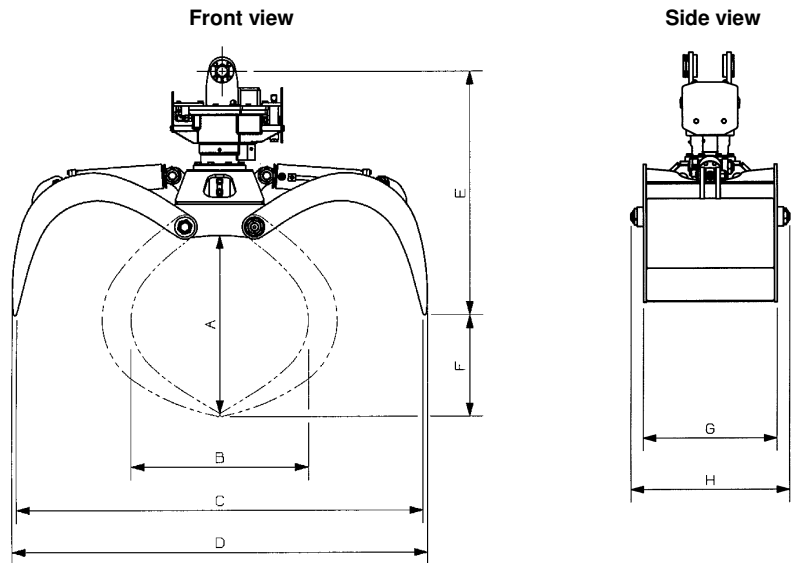
*High tensile strength steel: 165,000 psi (1138 MPa)

Rotator	Maximum pressure: 4000 psi (276 bars)	Recommended flow: 8 gpm (30 l/min.)
Rotator recommended flow will produce a speed of 30 rpm.		

Cylinder	Diameter	Recommended pressure	Pressure range	Flow range	Lock valves
Standard	3 1/2" (89 mm)	2350 psi (162 bars)	2000 - 2700 psi (138 - 186 bars)	15 - 22 gpm (57 - 83 l/min.)	no
Standard	3" (76 mm)	3250 psi (224 bars)	2800 - 3700 psi (193 - 255 bars)	10 - 15 gpm (38 - 57 l/min.)	no

Grapple cylinder maximum flow will theoretically produce a complete grapple open/close cycle in 4 seconds.

Reference	Dimension
A	31 in. (787 mm)
B	30 5/8 in. (778 mm)
C	70 3/8 in. (1788 mm)
D	72 in. (1829 mm)
E	42 1/2 in. (1080 mm)
F	17 5/8 in. (448 mm)
G	24 1/8 in. (613 mm)
H	28 5/8 in. (727 mm)



OPTIONS: Leveling plate 140 lb. Chain 95 lb.

web site: www.rotobec.com

e-mail: rotobec@rotobec.com

Rotobec Inc.: Head office serving OEM's and Eastern Canada
 Rotobec West: Branch serving Western Canada and Western USA
 Rotobec USA: Branch serving Eastern and Central USA

Ph: (418) 383-3002 Fax: (418) 383-5334
 Ph: (250) 765-1161 Fax: (250) 765-0035
 Ph: (603) 444-2103 Fax: (603) 444-0327