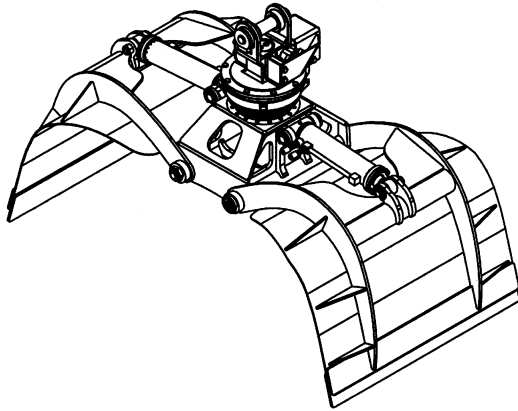




ROTOBEC™

Waste Collection Grapple

045W with rotator RT-252



Opening	72 3/8 in. (1838 mm)	
Volume	0.75 cubic yards	0.57 cubic meters
Rotator lifting capacity	25000 lb (11340 kg)	
Torque at relief pressure	16150 in.lb (1825 Nm)	@ 1450 psi (100 bars)
Steel* thickness	1/2" (13 mm)	
Weight	1155 lb (524 kg)	

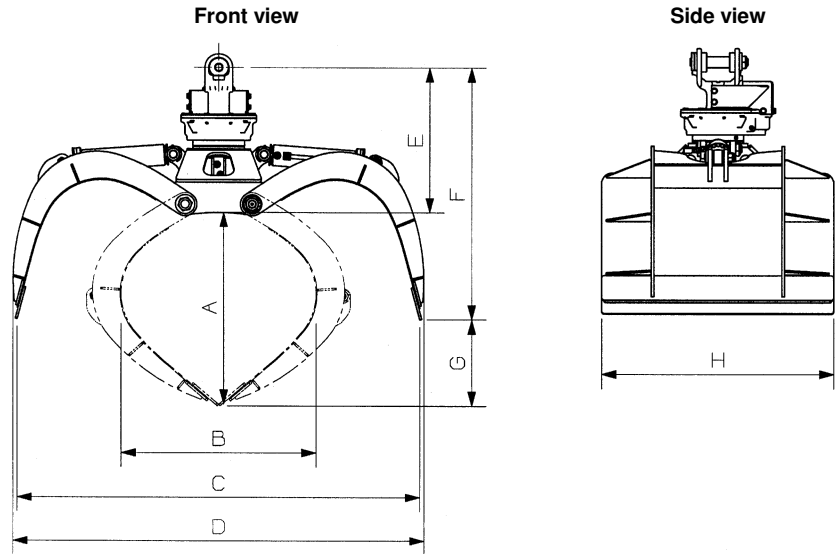
*High tensile strength steel: 165,000 psi (1138 MPa)

Rotator	Maximum pressure: 5000 psi (345 bars)	Recommended flow: 9 gpm (34 l/min.)
Rotator recommended flow will produce a speed of 30 rpm.		

Cylinder	Diameter	Recommended pressure	Pressure range	Flow range	Lock valves
Standard	3 1/2" (89 mm)	2350 psi (162 bars)	2000 - 2700 psi (138 - 186 bars)	15 - 22 gpm (57 - 83 l/min.)	no
Standard	3" (76 mm)	3250 psi (224 bars)	2800 - 3700 psi (193 - 255 bars)	10 - 15 gpm (38 - 57 l/min.)	no

Grapple cylinder maximum flow will theoretically produce a complete grapple open/close cycle in 4 seconds.

Reference	Dimension
A	34 3/4 in. (883 mm)
B	35 in. (889 mm)
C	72 3/8 in. (1838 mm)
D	73 7/8 in. (1876 mm)
E	26 1/4 in. (667 mm)
F	45 3/4 in. (1162 mm)
G	15 5/8 in. (397 mm)
H	42 in. (1067 mm)



web site: www.rotobec.com

e-mail: rotobec@rotobec.com

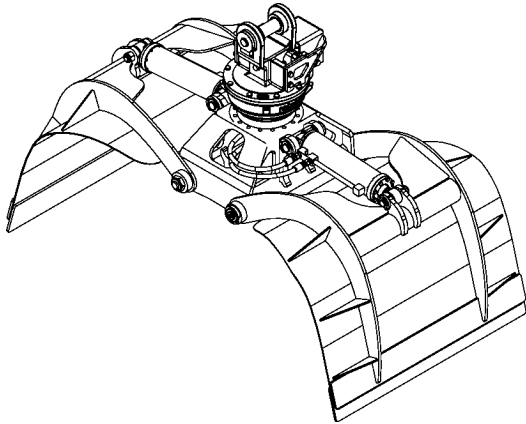
Rotobec Inc.: Head office serving OEM's and Eastern Canada
 Rotobec West: Branch serving Western Canada and Western USA
 Rotobec USA: Branch serving Eastern and Central USA

Ph: (418) 383-3002 Fax: (418) 383-5334
 Ph: (250) 765-1161 Fax: (250) 765-0035
 Ph: (603) 444-2103 Fax: (603) 444-0327



Waste Collection Grapple

045W with rotator RT-322



Opening	72 3/8 in. (1838 mm)	
Volume	0.75 cubic yards	0.57 cubic meters
Rotator lifting capacity	32000 lb (14515 kg)	
Torque at relief pressure	16150 in.lb (1825 Nm)	@ 1450 psi (100 bars)
Steel* thickness	1/2" (13 mm)	
Weight	1185 lb (538 kg)	

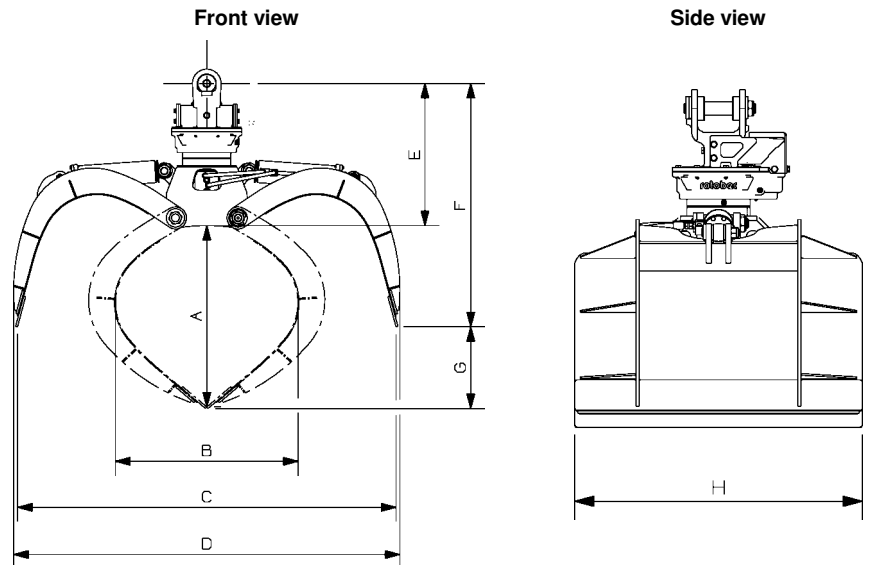
*High tensile strength steel: 165,000 psi (1138 MPa)

Rotator	Maximum pressure: 5000 psi (345 bars)	Recommended flow: 9 gpm (34 l/min.)
Rotator recommended flow will produce a speed of 30 rpm.		

Cylinder	Diameter	Recommended pressure	Pressure range	Flow range	Lock valves
Standard	3 1/2" (89 mm)	2350 psi (162 bars)	2000 - 2700 psi (138 - 186 bars)	15 - 22 gpm (57 - 83 l/min.)	no
Standard	3" (76 mm)	3250 psi (224 bars)	2800 - 3700 psi (193 - 255 bars)	10 - 15 gpm (38 - 57 l/min.)	no

Grapple cylinder maximum flow will theoretically produce a complete grapple open/close cycle in 4 seconds.

Reference	Dimension
A	34 3/4 in. (883 mm)
B	35 in. (889 mm)
C	72 3/8 in. (1838 mm)
D	73 7/8 in. (1876 mm)
E	27 1/4 in. (692 mm)
F	46 3/4 in. (1187 mm)
G	15 5/8 in. (397 mm)
H	42 in. (1067 mm)



web site: www.rotobec.com

e-mail: rotobec@rotobec.com

Rotobec Inc.: Head office serving OEM's and Eastern Canada
 Rotobec West: Branch serving Western Canada and Western USA
 Rotobec USA: Branch serving Eastern and Central USA

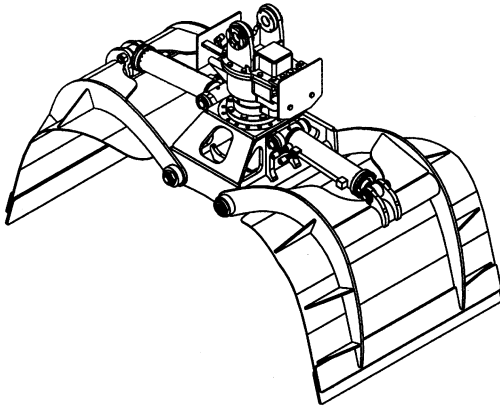
Ph: (418) 383-3002 Fax: (418) 383-5334
 Ph: (250) 765-1161 Fax: (250) 765-0035
 Ph: (603) 444-2103 Fax: (603) 444-0327



ROTOBEC™

Waste Collection Grapple

045W with rotator R-9150



Opening	72 3/8 in. (1838 mm)	
Volume	0.75 cubic yards	0.57 cubic meters
Rotator lifting capacity	18000 lb (8165 kg)	
Torque at relief pressure	8450 in.lb (955 Nm)	@ 913 psi (63 bars)
Steel* thickness	1/2" (13 mm)	
Weight	1105 lb (501 kg)	

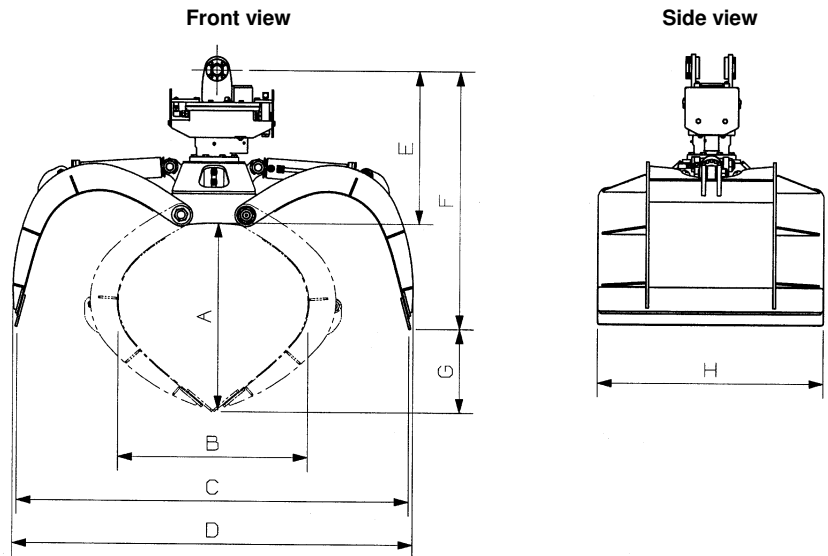
*High tensile strength steel: 165,000 psi (1138 MPa)

Rotator	Maximum pressure: 4000 psi (276 bars)	Recommended flow: 8 gpm (30 l/min.)
Rotator recommended flow will produce a speed of 30 rpm.		

Cylinder	Diameter	Recommended pressure	Pressure range	Flow range	Lock valves
Standard	3 1/2" (89 mm)	2350 psi (162 bars)	2000 - 2700 psi (138 - 186 bars)	15 - 22 gpm (57 - 83 l/min.)	no
Standard	3" (76 mm)	3250 psi (224 bars)	2800 - 3700 psi (193 - 255 bars)	10 - 15 gpm (38 - 57 l/min.)	no

Grapple cylinder maximum flow will theoretically produce a complete grapple open/close cycle in 4 seconds.

Reference	Dimension
A	34 3/4 in. (883 mm)
B	35 in. (889 mm)
C	72 3/8 in. (1838 mm)
D	73 7/8 in. (1876 mm)
E	28 5/8 in. (727 mm)
F	48 1/8 in. (1222 mm)
G	15 5/8 in. (397 mm)
H	42 in. (1067 mm)



web site: www.rotobec.com

e-mail: rotobec@rotobec.com

Rotobec Inc.: Head office serving OEM's and Eastern Canada
 Rotobec West: Branch serving Western Canada and Western USA
 Rotobec USA: Branch serving Eastern and Central USA

Ph: (418) 383-3002 Fax: (418) 383-5334
 Ph: (250) 765-1161 Fax: (250) 765-0035
 Ph: (603) 444-2103 Fax: (603) 444-0327