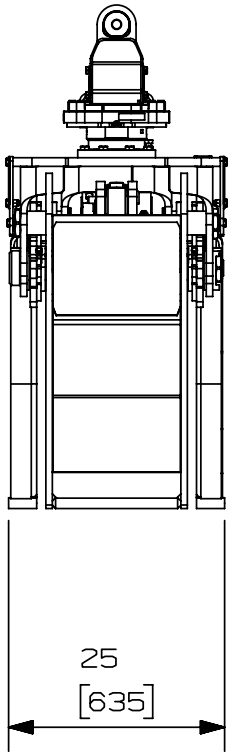
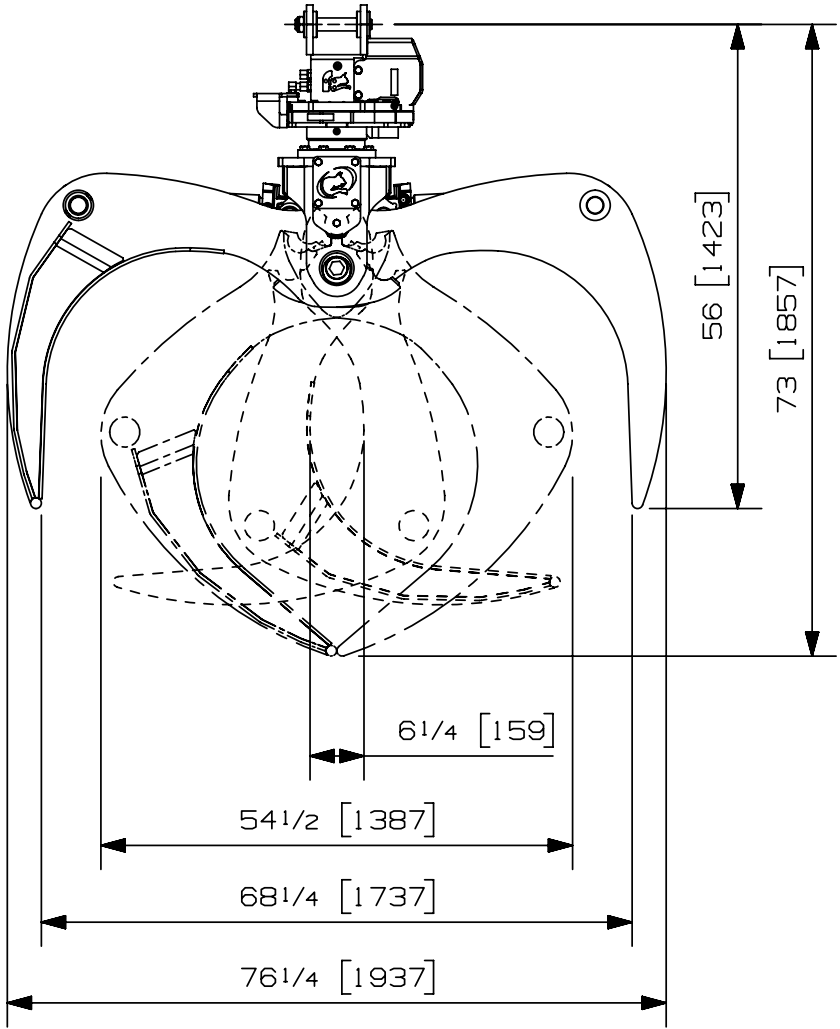


COMBINATION GRAPPLE
 060CHD-A RT-222-2
 COMBINE



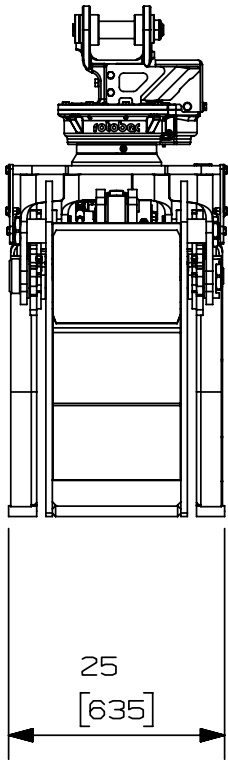
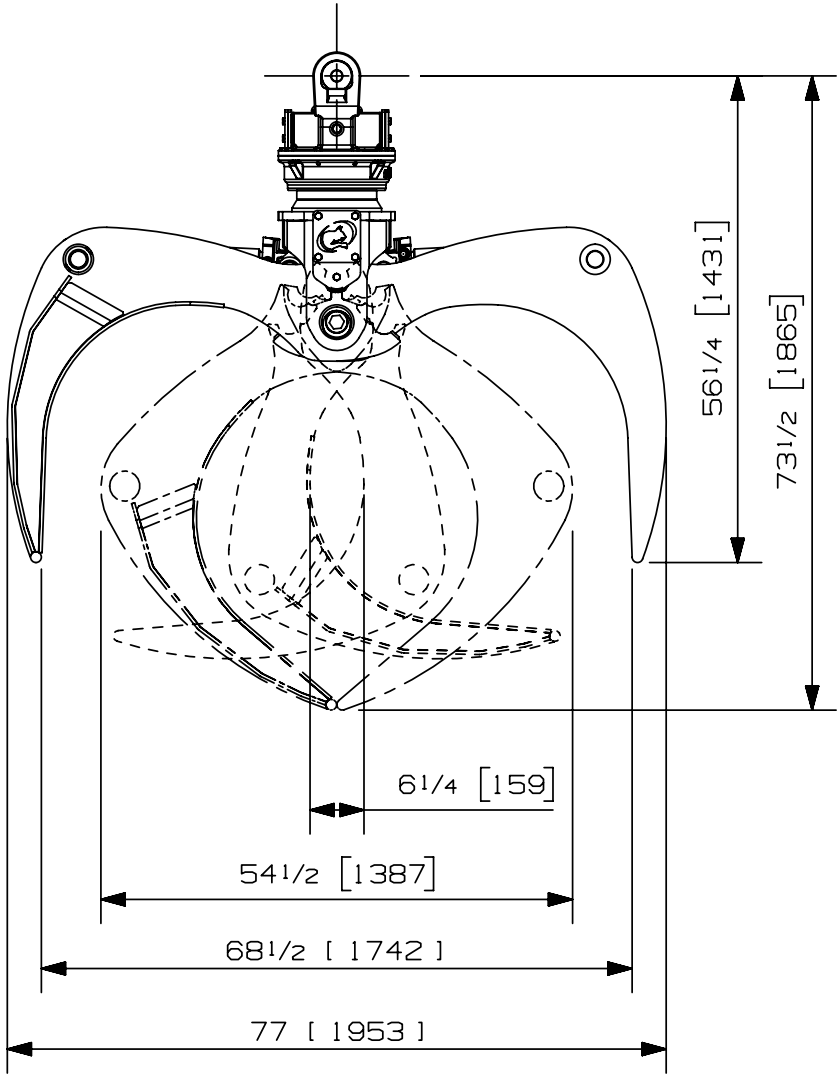
SPECIFICATION TECHNIQUE
 TECHNICAL DATA

SURFACE UTILE PTE A PTE:	0.60 m ² / 6.45 ft ²
USEFUL AREA TIP TO TIP:	
POIDS:	714 kg / 1570 lb
WEIGHT:	
DIA. DU CYLINDRE:	89 mm / 3 1/2 in
CYLINDER DIAMETER:	
PRESSION MAXIMUM:	344 bar / 5000 PSI
MAXIMUM PRESSURE:	
DEBIT MAXIMUM:	91 l/min / 24 GPM
MAXIMUM FLOW:	



Nous nous reservons le droit de modifier nos specifications et d'ameliorer nos produits sans autre avis ou obligation.
 We reserve the right to change specifications and improve our products without notice or obligation.

COMBINATION GRAPPLE
 060CHD-A RT-322HT-1
 COMBINE



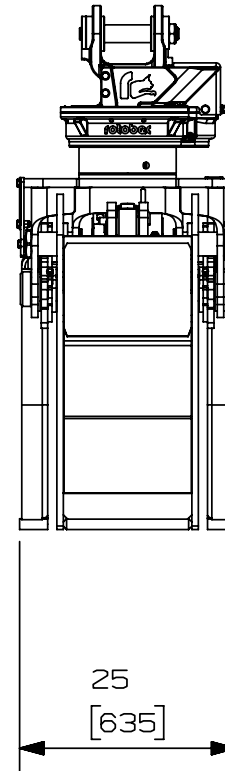
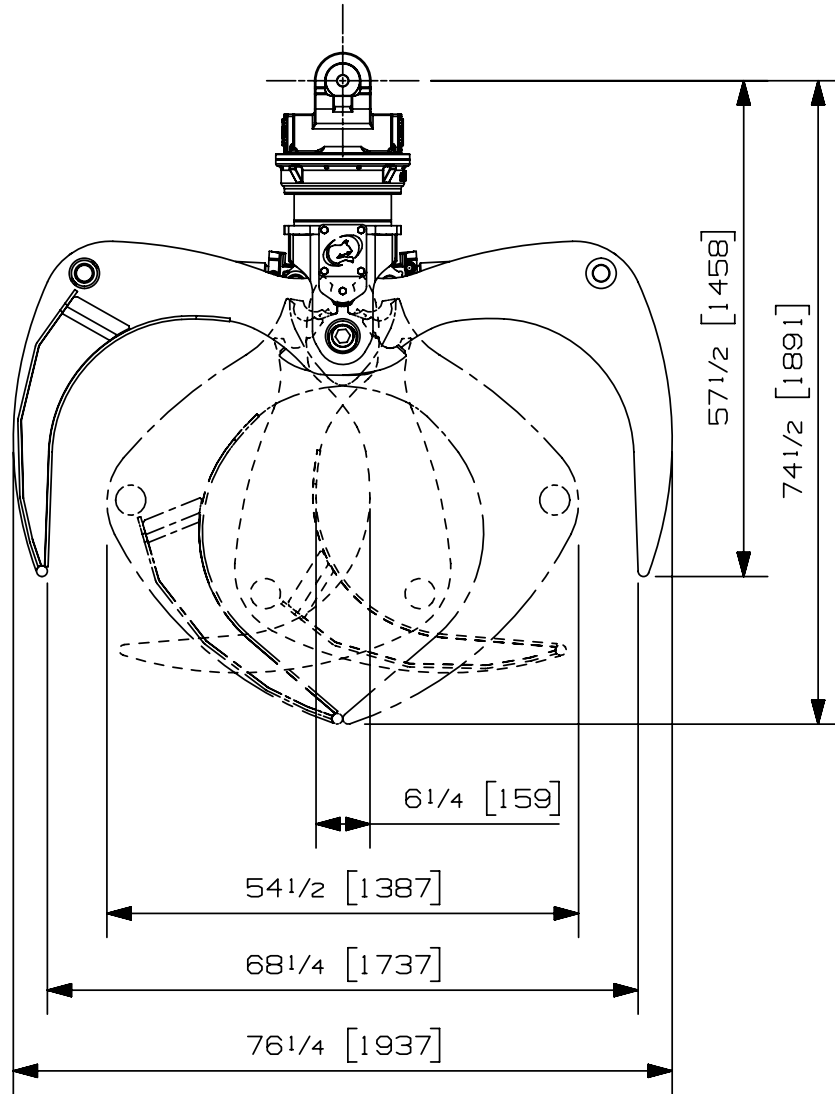
SPECIFICATION TECHNIQUE
 TECHNICAL DATA

SURFACE UTILE PTE A PTE:	0.60 m ² / 6.45 ft ²
USEFUL AREA TIP TO TIP:	
POIDS:	752 kg / 1655 lb
WEIGHT:	
DIA. DU CYLINDRE:	89 mm / 3 1/2 in
CYLINDER DIAMETER:	
PRESSION MAXIMUM:	344 bar / 5000 PSI
MAXIMUM PRESSURE:	
DEBIT MAXIMUM:	91 l/min / 24 GPM
MAXIMUM FLOW:	



Nous nous reservons le droit de modifier nos specifications et d'ameliorer nos produits sans autre avis ou obligation.
 We reserve the right to change specifications and improve our products without notice or obligation.

COMBINATION GRAPPLE 060CHD-A RT-502STDHT-1 COMBINE



SPECIFICATION TECHNIQUE TECHNICAL DATA

SURFACE UTILE PTE A PTE: 0.60 m² / 6.45 ft²
USEFUL AREA TIP TO TIP:

POIDS: 816 kg / 1800 lb
WEIGHT:

DIA. DU CYLINDRE: 89 mm / 3 $\frac{1}{2}$ in
CYLINDER DIAMETER:

PRESSION MAXIMUM: 344 bar / 5000 PSI
MAXIMUM PRESSURE:

DEBIT MAXIMUM: 91 l/min / 24 GPM
MAXIMUM FLOW:



ROTOBEC™