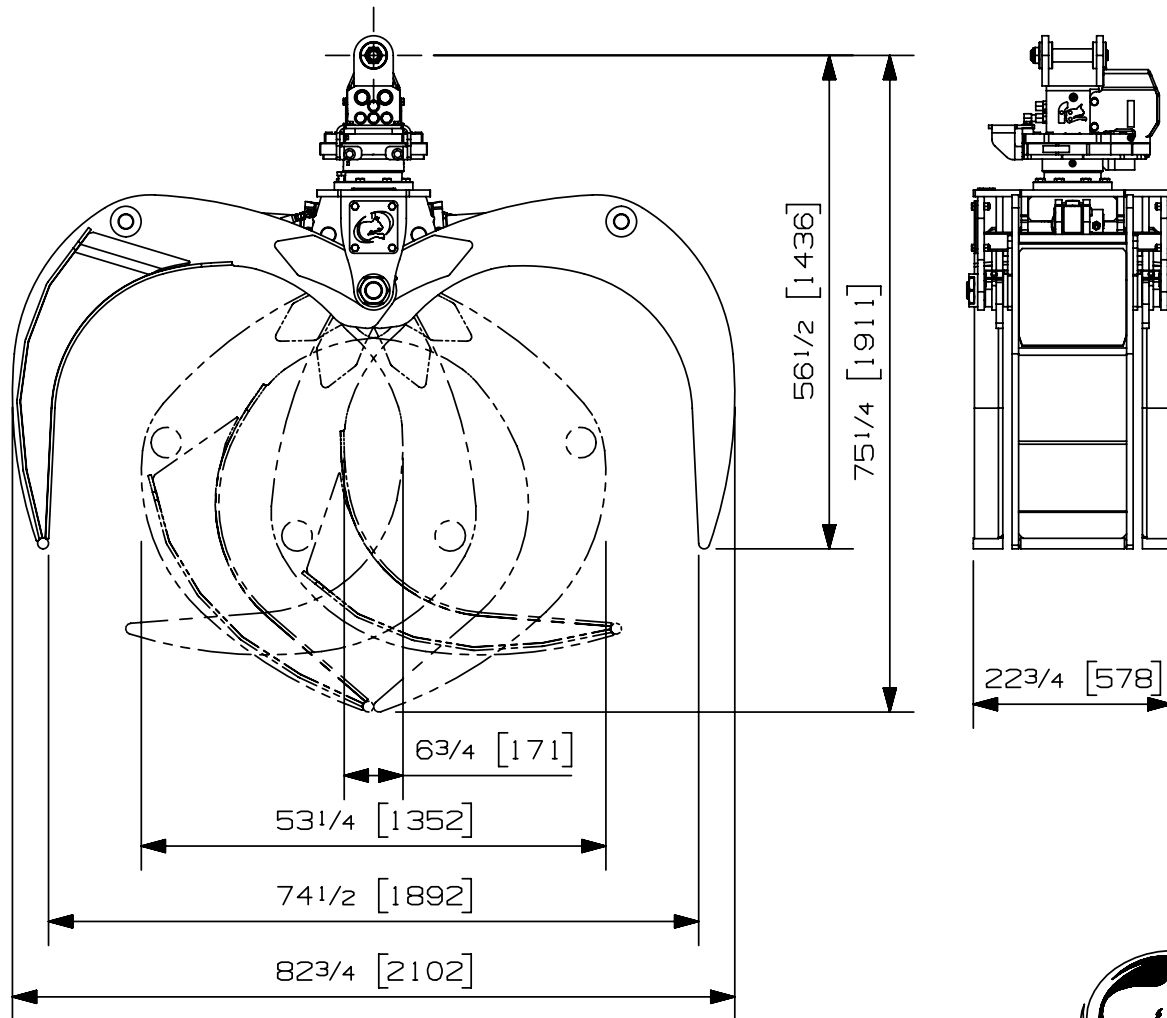


COMBINATION GRAPPLE

070C-A RT-222-2

COMBINE

SPECIFICATION TECHNIQUE TECHNICAL DATA



SURFACE UTILE PTE A PTE: 0.7 m² / 7.5 ft²
USEFUL AREA TIP TO TIP:

POIDS: 602 kg / 1325 lbs
WEIGHT:

STANDARD CYLINDER: 89 mm / 3 1/2 in
CYLINDER STANDARD:

PRESSION MAXIMUM: 241 bar / 3500 PSI
MAXIMUM PRESSURE:

DEBIT MAXIMUM: 95 l/min / 25 GPM
MAXIMUM FLOW:

OPTIONAL CYLINDER: 76 mm / 3 in
CYLINDER OPTIONEL:

PRESSION MAXIMUM: 344 bar / 5000 PSI
MAXIMUM PRESSURE:

DEBIT MAXIMUM: 64 l/min / 17 GPM
MAXIMUM FLOW:



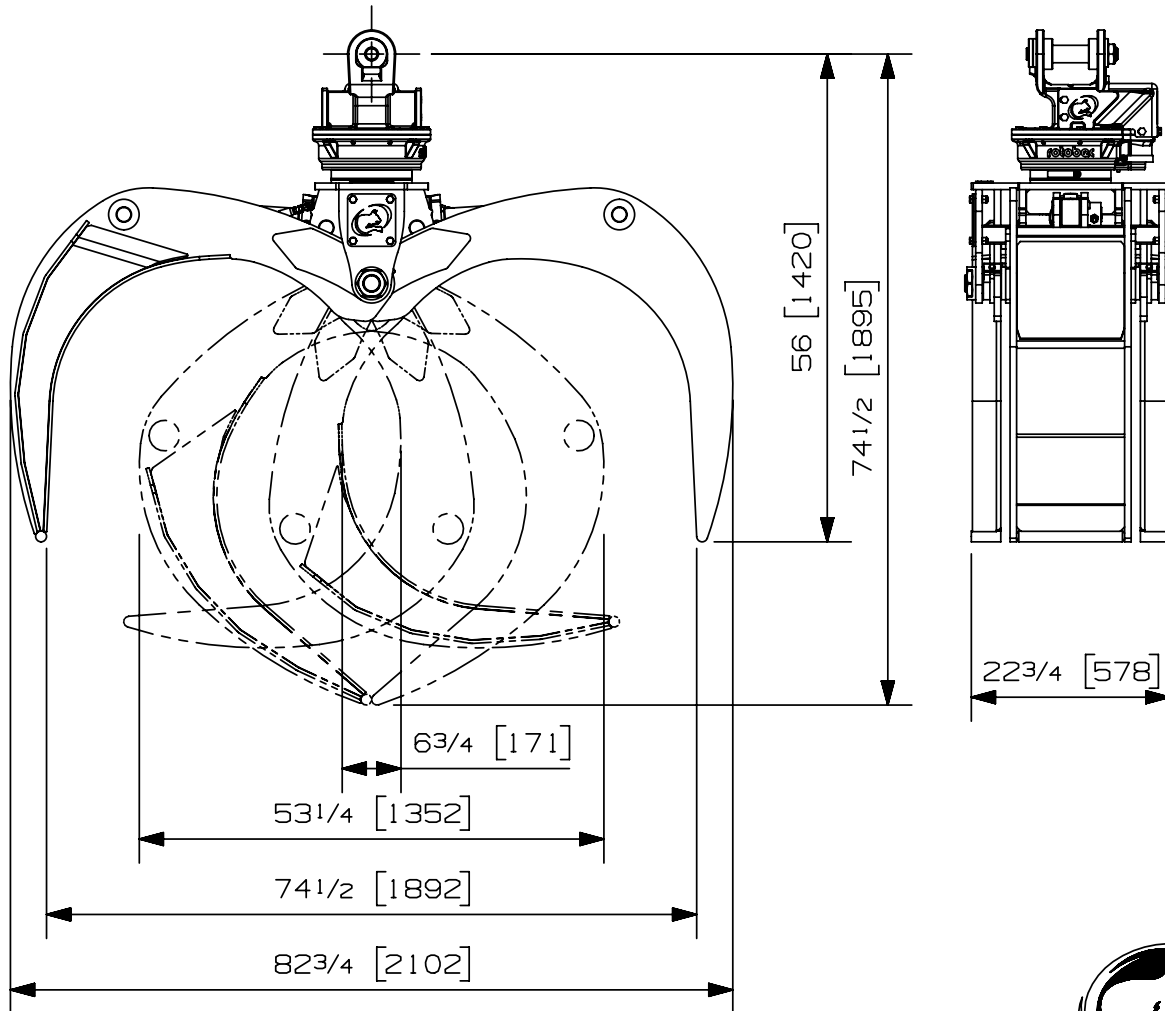
ROTOBEC™

COMBINATION GRAPPLE

070C-A RT-252-2

COMBINE

SPECIFICATION TECHNIQUE TECHNICAL DATA



SURFACE UTILE PTE A PTE: 0.7 m² / 7.5 ft²
USEFUL AREA TIP TO TIP:

POIDS: 623 kg / 1370 lbs
WEIGHT:

STANDARD CYLINDER: 89 mm / 3 1/2 in
CYLINDER STANDARD:

PRESSION MAXIMUM: 241 bar / 3500 PSI
MAXIMUM PRESSURE:

DEBIT MAXIMUM: 95 l/min / 25 GPM
MAXIMUM FLOW:

OPTIONAL CYLINDER: 76 mm / 3 in
CYLINDER OPTIONEL:

PRESSION MAXIMUM: 344 bar / 5000 PSI
MAXIMUM PRESSURE:

DEBIT MAXIMUM: 64 l/min / 17 GPM
MAXIMUM FLOW:



ROTOBEC™