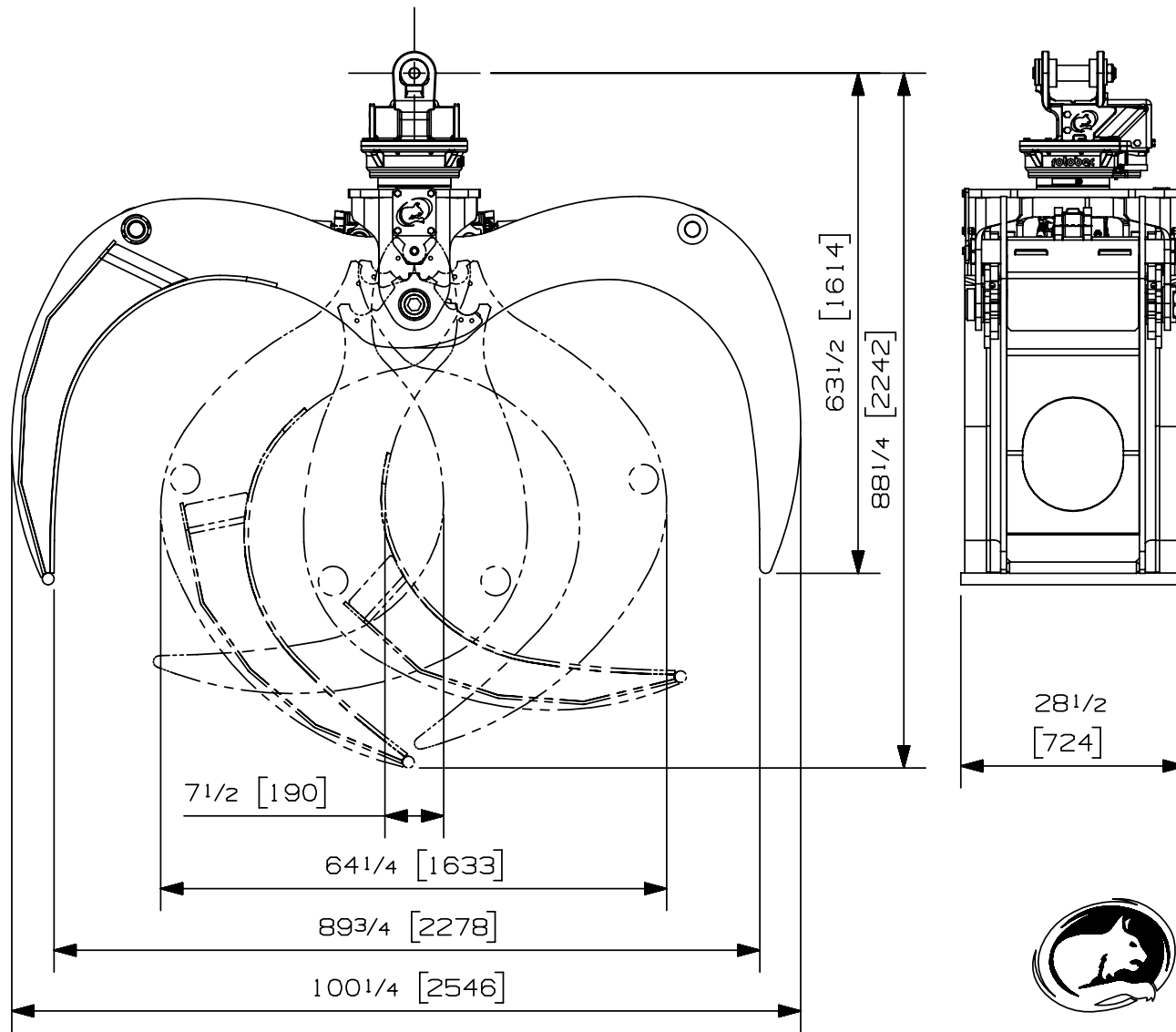


COMBINATION GRAPPLE

100C-A RT-252-1

COMBINE



SPECIFICATION TECHNIQUE TECHNICAL DATA

SURFACE UTILE PTE A PTE: 1.00 m² / 10.76 ft²
USEFUL AREA TIP TO TIP:

POIDS: 1043 kg / 2295 lb
WEIGHT:

DIA. DU CYLINDRE: 89 mm / 3 1/2 in
CYLINDER DIAMETER:

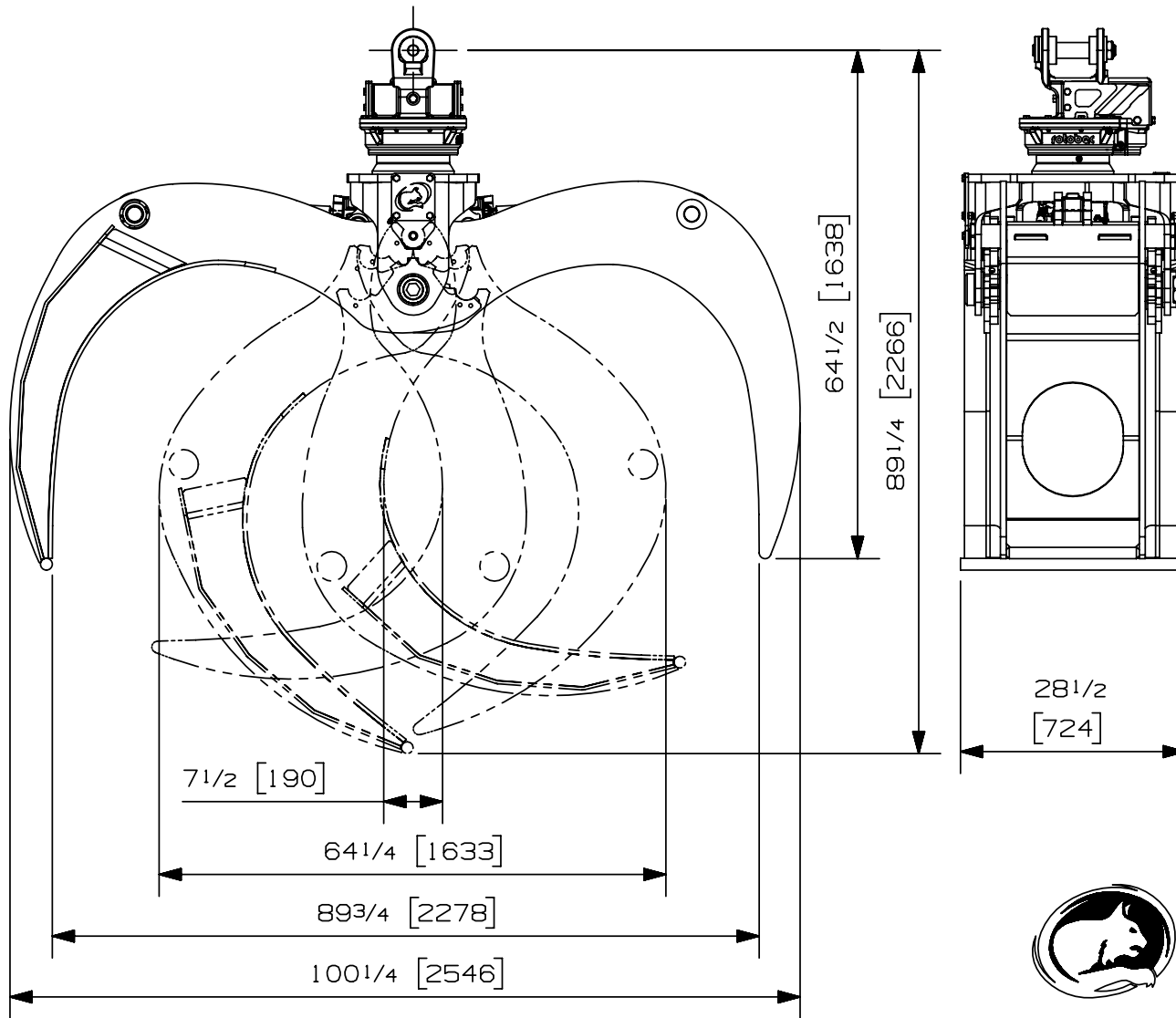
PRESSION MAXIMUM: 344 bar / 5000 PSI
MAXIMUM PRESSURE:

DEBIT MAXIMUM: 117 l/min / 31 GPM
MAXIMUM FLOW:



ROTOBEC™

COMBINATION GRAPPLE 100C-A RT-322HT-1 COMBINE



SPECIFICATION TECHNIQUE TECHNICAL DATA

SURFACE UTILE PTE A PTE: 1.00 m² / 10.76 ft²
USEFUL AREA TIP TO TIP:

POIDS: 1060 kg / 2335 lb
WEIGHT:

DIA. DU CYLINDRE: 89 mm / 3 1/2 in
CYLINDER DIAMETER:

PRESSION MAXIMUM: 344 bar / 5000 PSI
MAXIMUM PRESSURE:

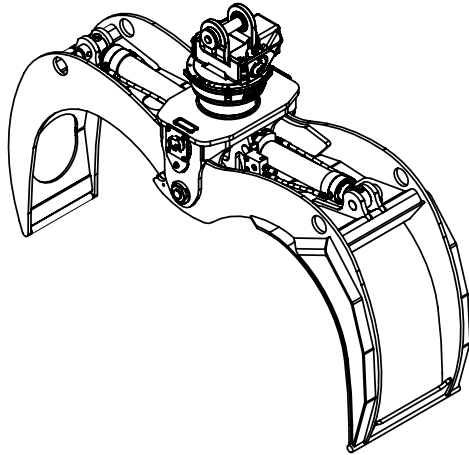
DEBIT MAXIMUM: 117 l/min / 31 GPM
MAXIMUM FLOW:



ROTOBEC™



Combination Grapple 100C RT502-STDHT

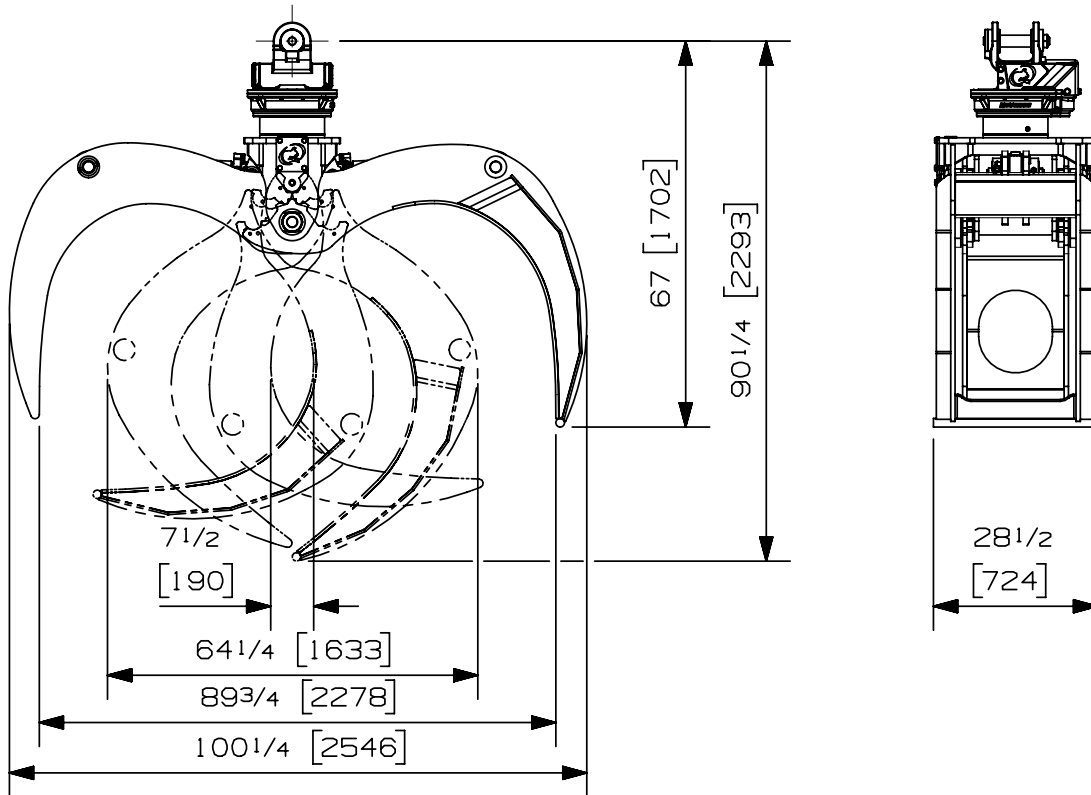


Max load:	n/a lb	n/a kg
Volume:	.67 cord 8 ft	4.86 m ³
Area tip to tip:	10.76 ft ²	1.00 m ²
Rotator lifting capacity:	50000 lb	22680 kg
Torque at relief pressure:	23260 lb-in	2628 Nm
	1810 psi	125 bars
Weight:	2495 lb	1132 kg

Rotator	Maximum pressure: 5000 psi 345 bars	Recommended flow: 9 gpm 34 l/min
Rotator recommended flow will produce a speed of 25 rpm		

Cylinder	Diameter	Recommended pressure	Pressure range	Flow range	Lock valves
Standard	3 1/2 " (89 mm)	4250 psi (293 bars)	3500-5000 psi (241-345 bars)	21-31 gpm (79-117 l/min.)	no

Grapple cylinder maximum flow will theoretically produce a complete grapple open/close cycle in 4 seconds.



Options:

- Leveling plate.
- Hydraulic synchronisation
- Counterbalance valve on cylinder (Not with hydraulic synchronisation)

web site: www.rotobec.com

email: rotobec@rotobec.com

Rotobec Inc.: Head office serving OEM's and Eastern Canada Ph: (418) 383-3002 Fax: (418) 383-5334
Rotobec West: Branch serving Western Canada and Western USA Ph: (250) 765-1161 Fax: (250) 765-0035
Rotobec USA: Branch serving Eastern and Central USA Ph: (603) 444-2103 Fax: (603) 444-0327

We reserve the right to change specifications and to improve our products without notice or obligation.

07003-8612
04/11/13 M.R