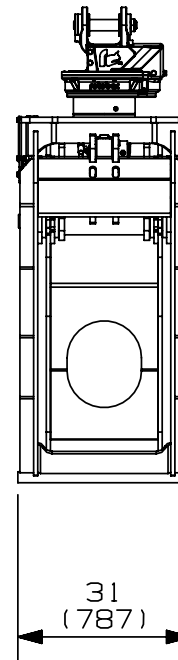
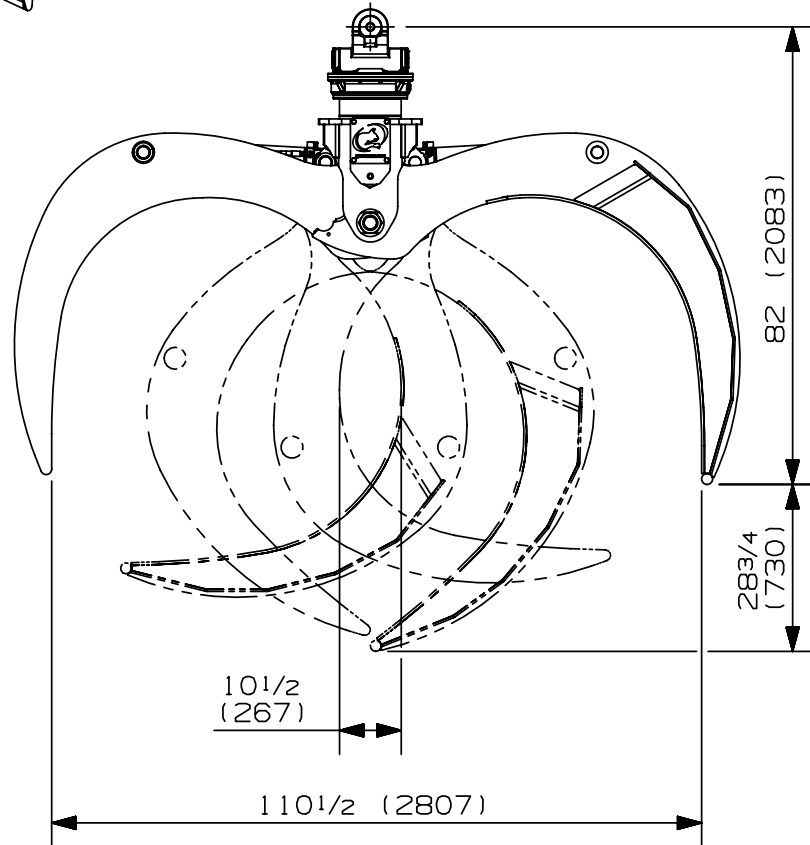
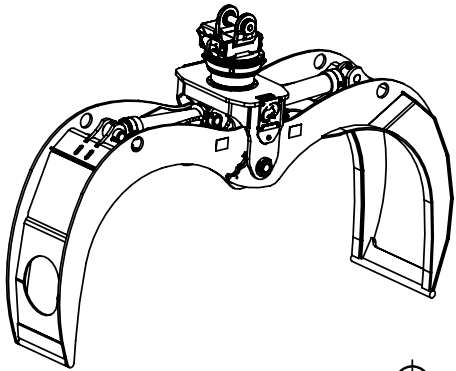


COMBINATION GRAPPLE
 150C-A RT-502STDHT-1
 COMBINE



SPECIFICATION TECHNIQUE
 TECHNICAL DATA

SURFACE UTILE PTE A PTE: 1.50 m² / 16.14 ft²
 USEFUL AREA TIP TO TIP:

POIDS: 1570 kg / 3460 lb
 WEIGHT:

DIA.DU CYLINDRE: 102 mm / 4 in
 CYLINDER DIAMETER:

PRESSION MAXIMUM: 344 bar / 5000 PSI
 MAXIMUM PRESSURE:

DEBIT MAXIMUM: 114 l/min / 42 GPM
 MAXIMUM FLOW:

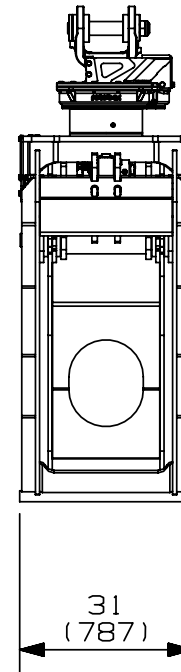
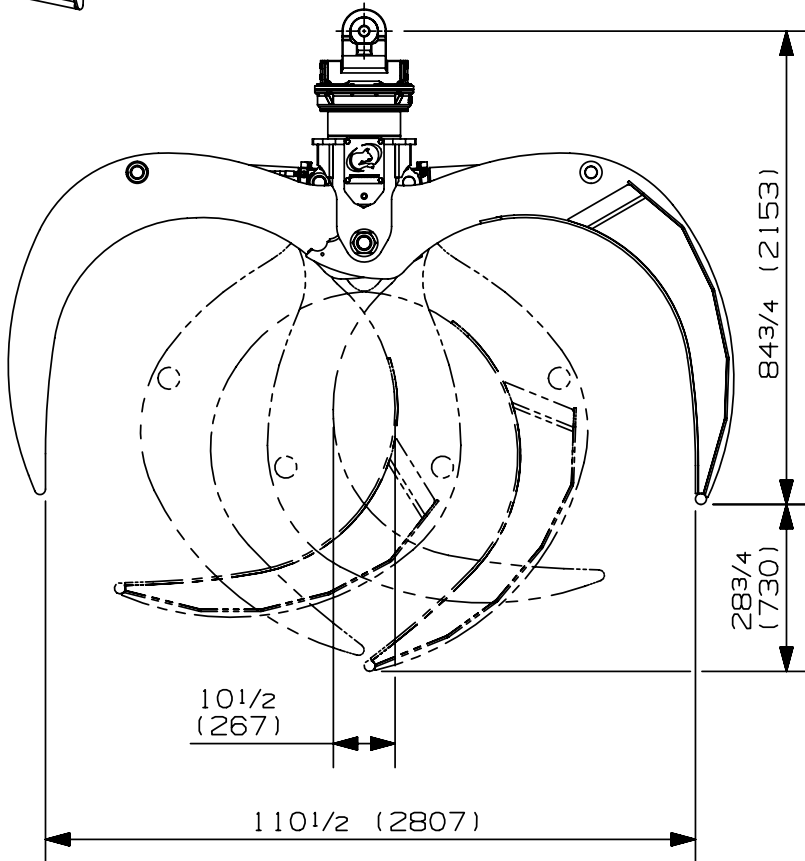
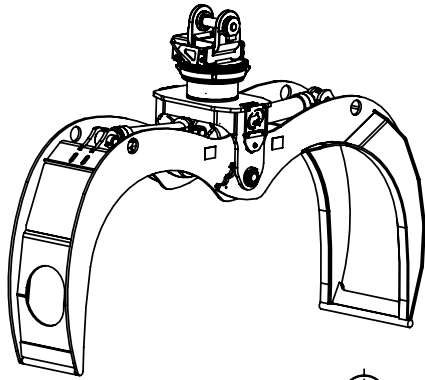


ROTOBEC™

COMBINATION GRAPPLE

150C-A RT-1002STDHT-1

COMBINE



SPECIFICATION TECHNIQUE TECHNICAL DATA

SURFACE UTILE PTE A PTE: 1.50 m² / 16.14 ft²
USEFUL AREA TIP TO TIP:

POIDS: 1660 kg / 3660 lb
WEIGHT:

DIA.DU CYLINDRE: 102 mm / 4 in
CYLINDER DIAMETER:

PRESSION MAXIMUM: 344 bar / 5000 PSI
MAXIMUM PRESSURE:

DEBIT MAXIMUM: 114 l/min / 42 GPM
MAXIMUM FLOW:



ROTOBEC™