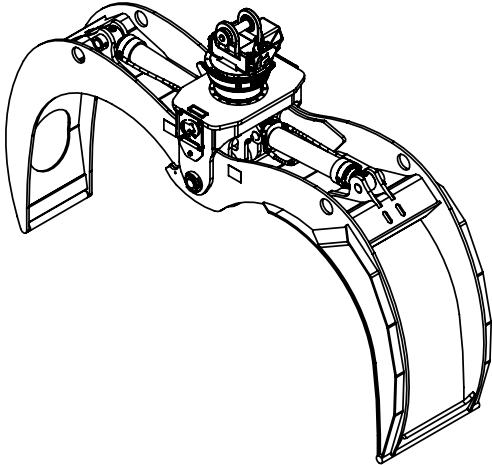




Combination Grapple 175C RT502-STDHT

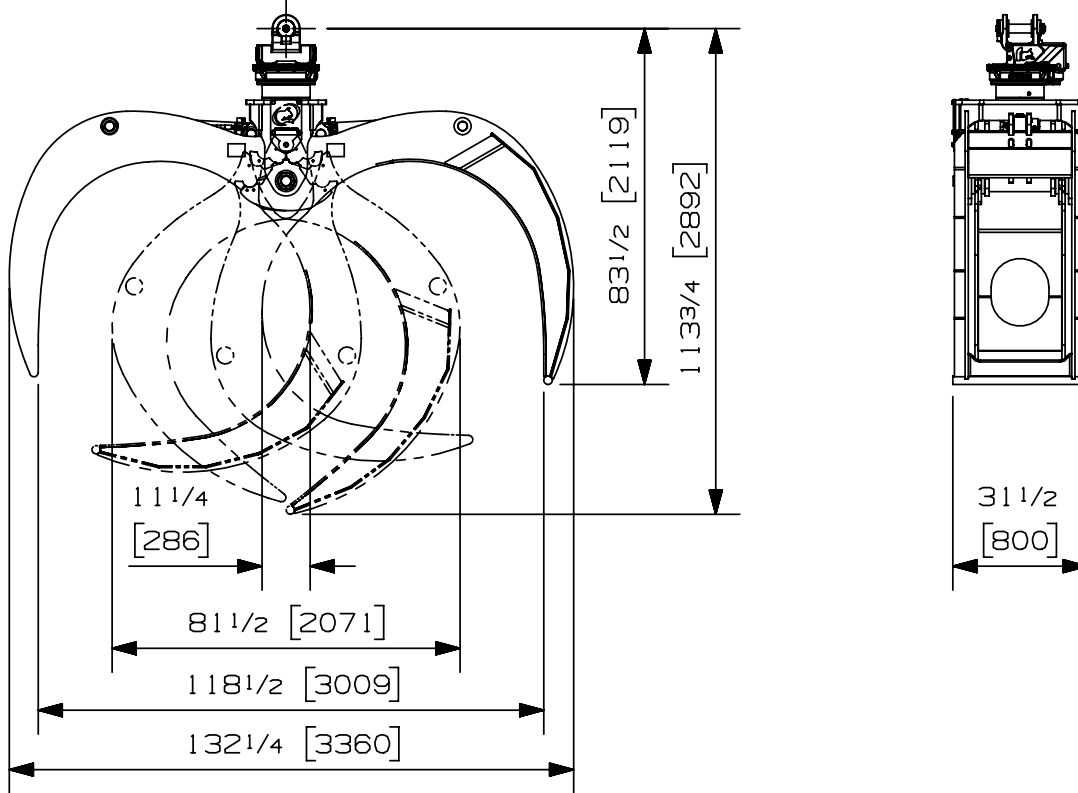


Max load:	n/a lb	n/a kg
Volume:	1.18 cord 8 ft	8.55 m ³
Area tip to tip:	18.84 ft ²	1.75 m ²
Rotator lifting capacity:	50000 lb	22680 kg
Torque at relief pressure:	23260 lb-in	2628 Nm
	1810 psi	125 bars
Weight:	3655 lb	1658 kg

Rotator	Maximum pressure: 5000 psi 345 bars	Recommended flow: 9 gpm 34 l/min
Rotator recommended flow will produce a speed of 25 rpm		

Cylinder	Diameter	Recommended pressure	Pressure range	Flow range	Lock valves
Standard	4 " (102 mm)	4250 psi (293 bars)	3500-5000 psi (241-345 bars)	30-42 gpm (114-159 l/min.)	no

Grapple cylinder maximum flow will theoretically produce a complete grapple open/close cycle in 5 seconds.



Options:

- Leveling plate.
- Hydraulic synchronisation.
- Counter balance valve on cylinders.

web site: www.rotobec.com

email: rotobec@rotobec.com

Rotobec Inc.: Head office serving OEM's and Eastern Canada Ph: (418) 383-3002 Fax: (418) 383-5334
Rotobec West: Branch serving Western Canada and Western USA Ph: (250) 765-1161 Fax: (250) 765-0035
Rotobec USA: Branch serving Eastern and Central USA Ph: (603) 444-2103 Fax: (603) 444-0327

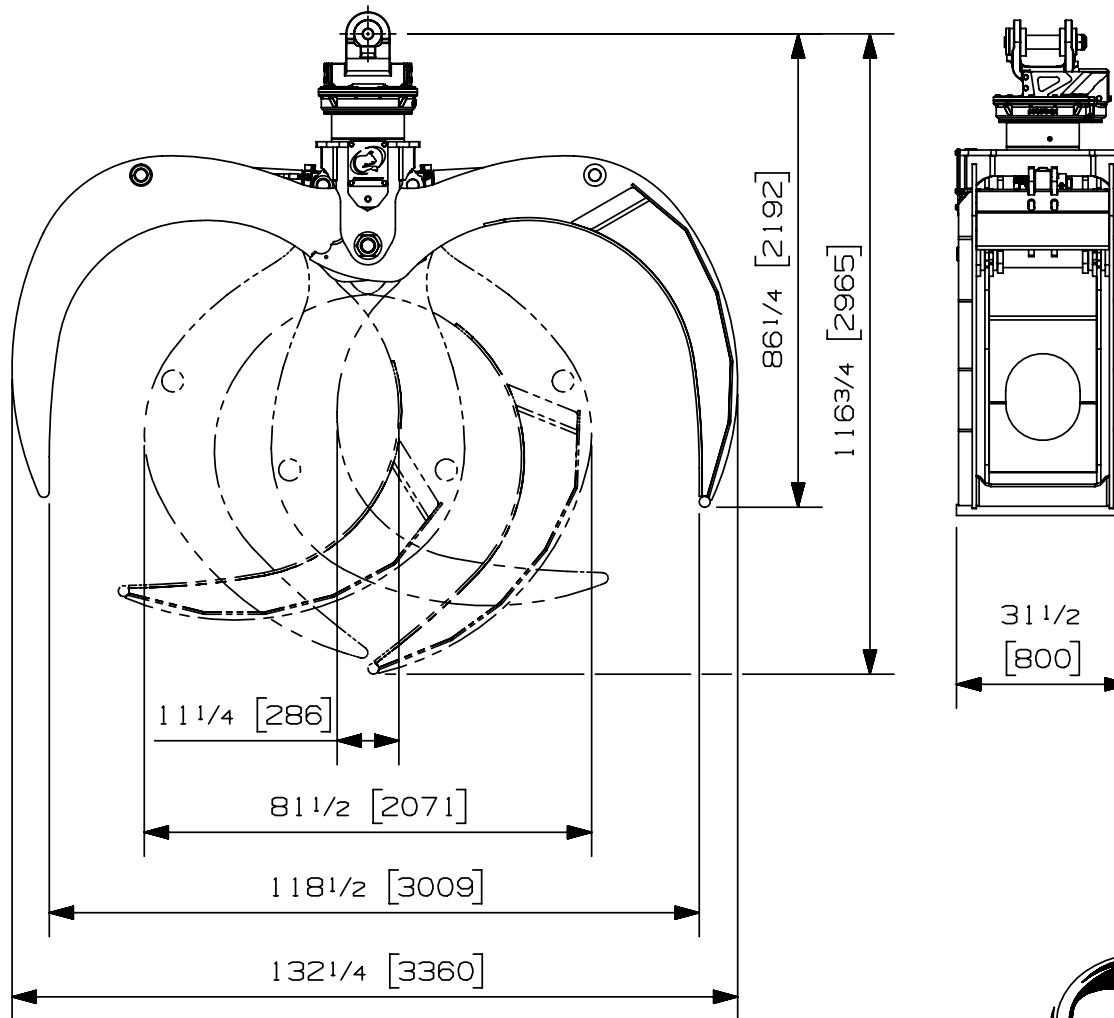
We reserve the right to change specifications and to improve our products without notice or obligation.

07002-7459
29/08/13 o.g.

COMBINATION GRAPPLE

175C-B RT-1002STDHT-1

COMBINE



SPECIFICATION TECHNIQUE TECHNICAL DATA

SURFACE UTILE PTE A PTE: 1.75 m² / 18.84 ft²
USEFUL AREA TIP TO TIP:

POIDS: 1730 kg / 3805 lb
WEIGHT:

DIA.DU CYLINDRE: 102 mm / 4 in
CYLINDER DIAMETER:

PRESSION MAXIMUM: 344 bar / 5000 PSI
MAXIMUM PRESSURE:

DEBIT MAXIMUM: 114 l/min / 42 GPM
MAXIMUM FLOW:



ROTOBEC™