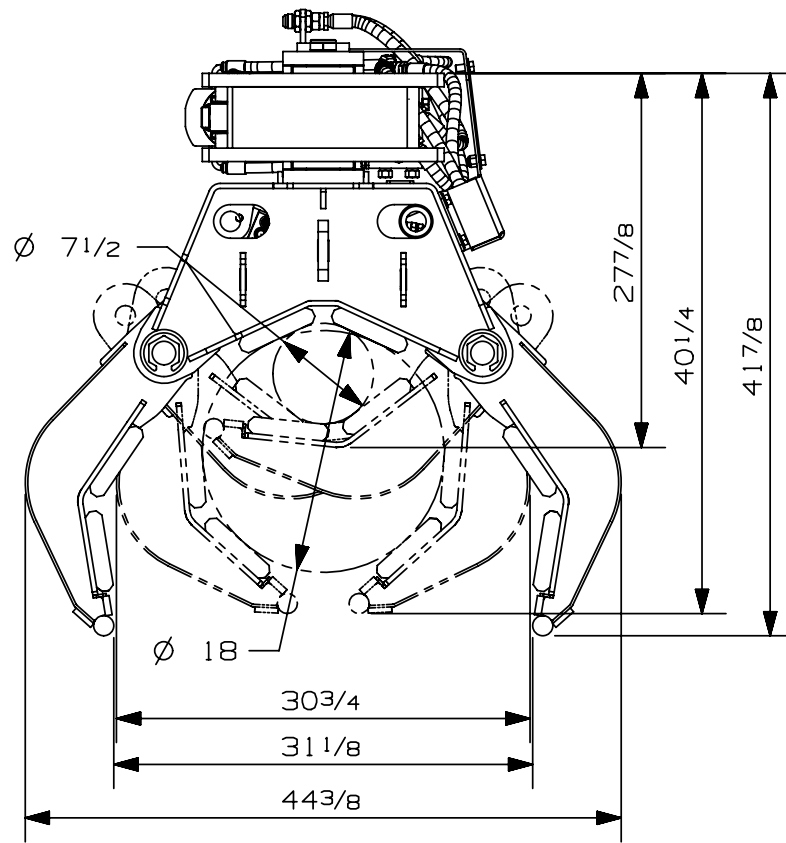


PINCE A TUBE ET POTEAUX
1807ROD-A
PIPE AND POLE HANDLER

SPECIFICATION TECHNIQUE
TECHNICAL DATA



DIA. CYLINDRE DE GRAPPIN: GRAPPLE CYLINDER DIA.:	2.5 po/in
DIA. CYLINDRE DE ROTATION: ROTATOR CYLINDER DIA.:	3.0 po/in
MOMENT DE CHARGE MAX.: MAXIMUM LOAD MOMENT:	20000 lb-pi
POIDS: WEIGHT:	1670 lbs
PRESSION: PRESSURE:	5000 PSI
DEBIT MAXIMUM: MAXIMUM FLOW:	9 GPM
CHARGE AXIALE MAXIMUM: MAXIMUM AXIAL LOAD:	4000 lbs



ROTOBEC™