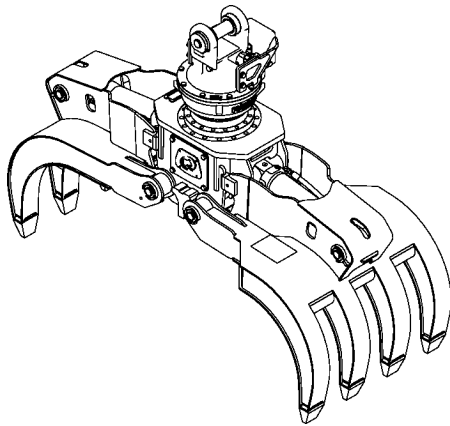




Power Attachment

RPA2030R with rotator RT-252



Opening	67 1/8 in. (1705 mm)
Closing	3 1/2 in. (89 mm)
Volume	.227 cord of 8 ft. wood
Area tip to tip	3.6 sq. ft. (.34 sq. meter)
Rotator lifting capacity	25000 lb (11340 kg)
Torque at relief pressure	16150 in.lb (1825 Nm) @ 1450 psi (100 bars)
Steel* thickness	
Weight	1615 lb (733 kg)

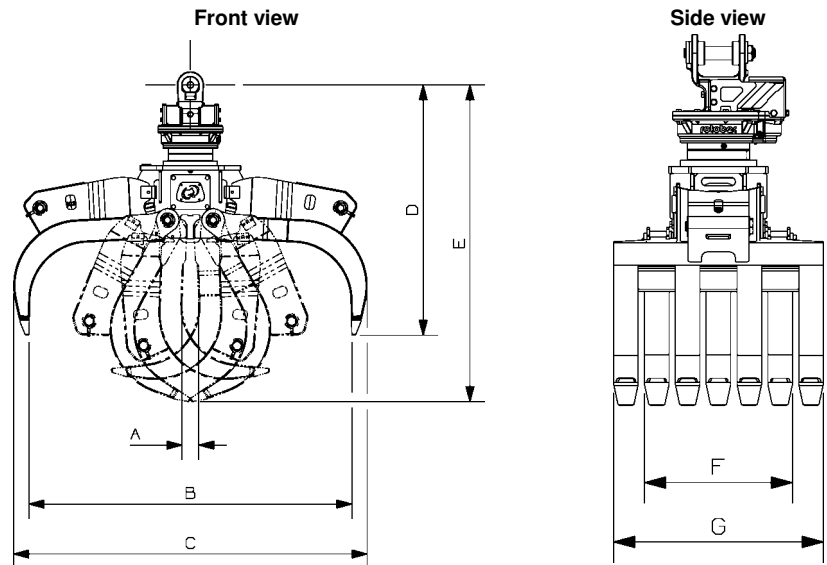
*High tensile strength steel: 165,000 psi (1138 MPa)

Rotator	Maximum pressure: 5000 psi (345 bars)	Recommended flow: 9 gpm (34 l/min.)
Rotator recommended flow will produce a speed of 30 rpm.		

Cylinder	Diameter	Recommended pressure	Pressure range	Flow range	Lock valves

Grapple cylinder maximum flow will theoretically produce a complete grapple open/close cycle in 4 seconds.

Reference	Dimension
A	3 1/2 in. (89 mm)
B	67 1/8 in. (1705 mm)
C	73 1/2 in. (1867 mm)
D	51 1/8 in. (1299 mm)
E	65 in. (1651 mm)
F	21 7/8 in. (556 mm)
G	31 in. (787 mm)
H	
I	
J	
K	



web site: www.rotobec.com

e-mail: rotobec@rotobec.com

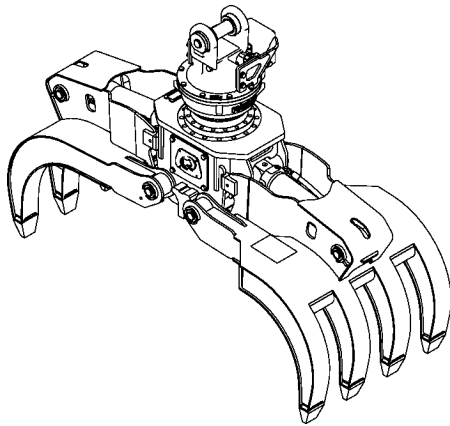
Rotobec Inc.: Head office serving OEM's and Eastern Canada
 Rotobec West: Branch serving Western Canada and Western USA
 Rotobec USA: Branch serving Eastern and Central USA

Ph: (418) 383-3002 Fax: (418) 383-5334
 Ph: (250) 765-1161 Fax: (250) 765-0035
 Ph: (603) 444-2103 Fax: (603) 444-0327



Power Attachment

RPA2030R with rotator RT-322



Opening	67 1/8 in. (1705 mm)
Closing	3 1/2 in. (89 mm)
Volume	.227 cord of 8 ft. wood
Area tip to tip	3.6 sq. ft. (.34 sq. meter)
Rotator lifting capacity	32000 lb (14515 kg)
Torque at relief pressure	16150 in.lb (1825 Nm) @ 1450 psi (100 bars)
Steel* thickness	
Weight	

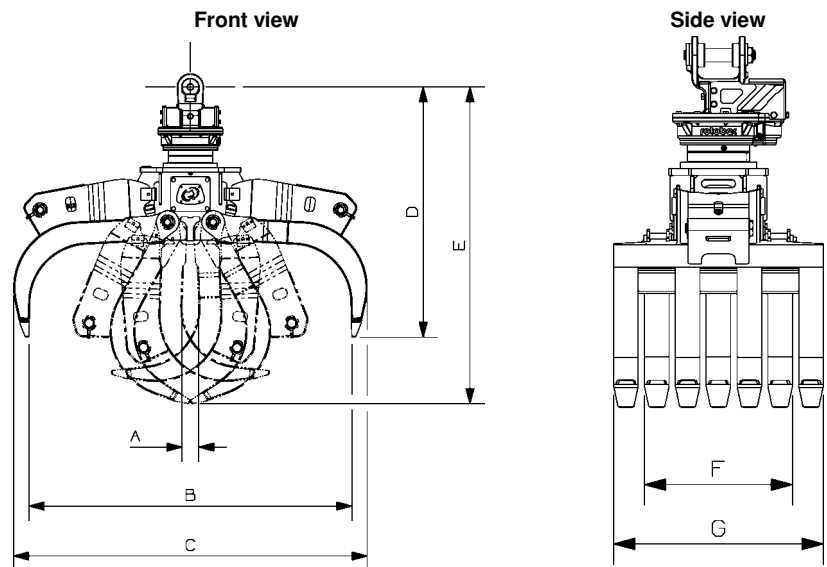
*High tensile strength steel: 165,000 psi (1138 MPa)

Rotator	Maximum pressure: 5000 psi (345 bars)	Recommended flow: 9 gpm (34 l/min.)
Rotator recommended flow will produce a speed of 30 rpm.		

Cylinder	Diameter	Recommended pressure	Pressure range	Flow range	Lock valves

Grapple cylinder maximum flow will theoretically produce a complete grapple open/close cycle in 4 seconds.

Reference	Dimension
A	3 1/2 in. (89 mm)
B	67 1/8 in. (1705 mm)
C	73 1/2 in. (1867 mm)
D	
E	
F	21 7/8 in. (556 mm)
G	31 in. (787 mm)
H	
I	
J	
K	



web site: www.rotobec.com

e-mail: rotobec@rotobec.com

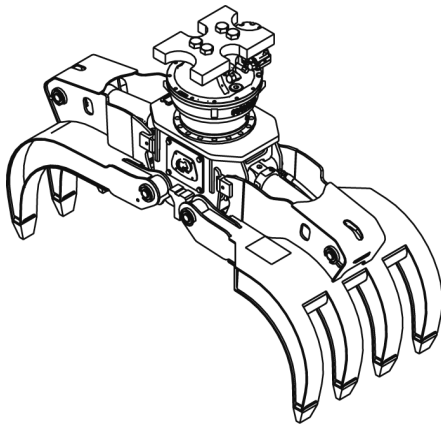
Rotobec Inc.: Head office serving OEM's and Eastern Canada
 Rotobec West: Branch serving Western Canada and Western USA
 Rotobec USA: Branch serving Eastern and Central USA

Ph: (418) 383-3002 Fax: (418) 383-5334
 Ph: (250) 765-1161 Fax: (250) 765-0035
 Ph: (603) 444-2103 Fax: (603) 444-0327



Power Attachment

RPA2030R with rotator RGP-502



Opening	67 1/8 in. (1705 mm)
Closing	3 1/2 in. (89 mm)
Volume	.227 cord of 8 ft. wood
Area tip to tip	3.6 sq. ft. (.34 sq. meter)
Rotator lifting capacity	50000 lb (22680 kg)
Torque at relief pressure	18140 in. lb (2050 Nm) @ 913 psi (63 bars)
Steel* thickness	
Weight	1615 lb (733 kg)

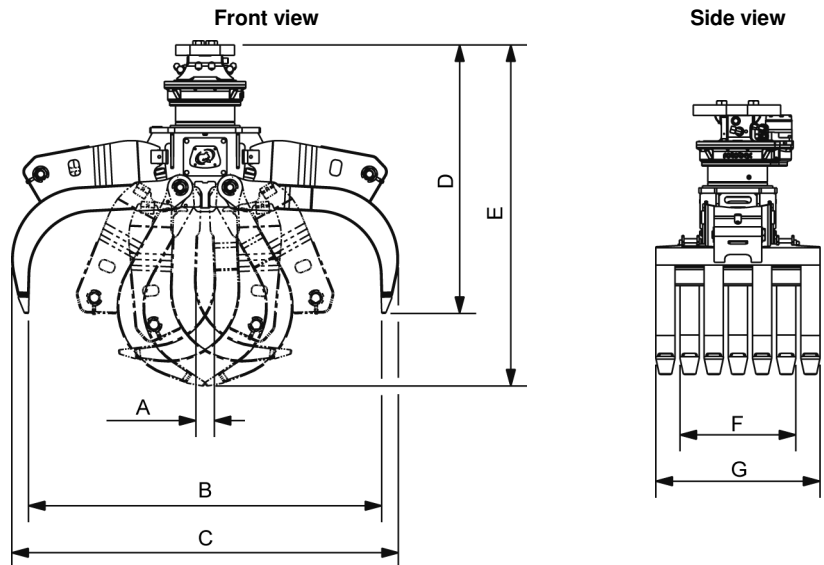
*High tensile strength steel: 165,000 psi (1138 MPa)

Rotator	Maximum pressure: 4200 psi (290 bars)	Recommended flow: 8 gpm (30 l/min.)
Rotator recommended flow will produce a speed of 15 rpm.		

Cylinder	Diameter	Recommended pressure	Pressure range	Flow range	Lock valves
Standard	3" (76 mm)	4000 psi (276 bars)	3000 - 5000 psi (207 - 345 bars)	10 - 15 gpm (38 - 57 l/min.)	no

Grapple cylinder maximum flow will theoretically produce a complete grapple open/close cycle in 4 seconds.

Reference	Dimension
A	3 1/2 in. (89 mm)
B	67 1/8 in. (1705 mm)
C	73 1/2 in. (1867 mm)
D	51 1/8 in. (1299 mm)
E	65 in. (1651 mm)
F	21 7/8 in. (556 mm)
G	31 in. (787 mm)
H	
I	
J	
K	



web site: www.rotobec.com

e-mail: rotobec@rotobec.com

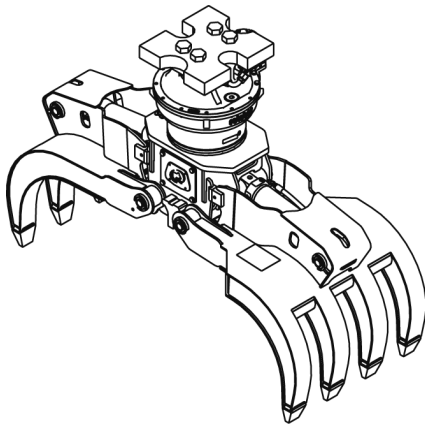
Rotobec Inc.: Head office serving OEM's and Eastern Canada
 Rotobec West: Branch serving Western Canada and Western USA
 Rotobec USA: Branch serving Eastern and Central USA

Ph: (418) 383-3002 Fax: (418) 383-5334
 Ph: (250) 765-1161 Fax: (250) 765-0035
 Ph: (603) 444-2103 Fax: (603) 444-0327



Power Attachment

RPA2030R with rotator RGP-1002



Opening	67 1/8 in. (1705 mm)
Closing	3 1/2 in. (89 mm)
Volume	.227 cord of 8 ft. wood
Area tip to tip	3.6 sq. ft. (.34 sq. meter)
Rotator lifting capacity	100000 lb (45360 kg)
Torque at relief pressure	21770 in.lb (2460 Nm) @ 913 psi (63 bars)
Steel* thickness	
Weight	1880 lb (853 kg)

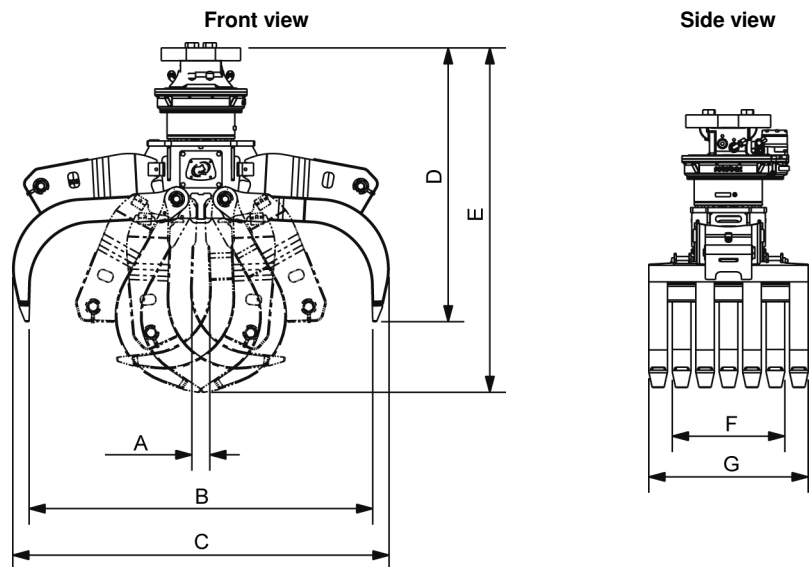
*High tensile strength steel: 165,000 psi (1138 MPa)

Rotator	Maximum pressure: 4200 psi (290 bars)	Recommended flow: 6 gpm (23 l/min.)
Rotator recommended flow will produce a speed of 10 rpm.		

Cylinder	Diameter	Recommended pressure	Pressure range	Flow range	Lock valves
Standard	3" (76 mm)	4000 psi (276 bars)	3000 - 5000 psi (207 - 345 bars)	10 - 15 gpm (38 - 57 l/min.)	no

Grapple cylinder maximum flow will theoretically produce a complete grapple open/close cycle in 4 seconds.

Reference	Dimension
A	3 1/2 in. (89 mm)
B	67 1/8 in. (1705 mm)
C	73 1/2 in. (1867 mm)
D	53 5/8 in. (1362 mm)
E	67 1/2 in. (1715 mm)
F	21 7/8 in. (556 mm)
G	31 in. (787 mm)
H	
I	
J	
K	



web site: www.rotobec.com

e-mail: rotobec@rotobec.com

Rotobec Inc.: Head office serving OEM's and Eastern Canada
 Rotobec West: Branch serving Western Canada and Western USA
 Rotobec USA: Branch serving Eastern and Central USA

Ph: (418) 383-3002 Fax: (418) 383-5334
 Ph: (250) 765-1161 Fax: (250) 765-0035
 Ph: (603) 444-2103 Fax: (603) 444-0327