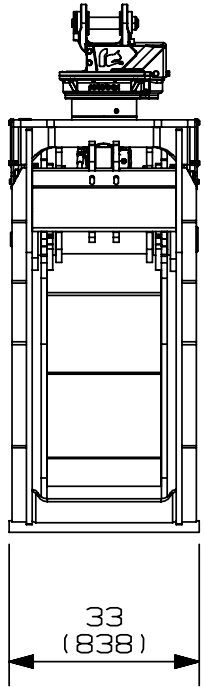
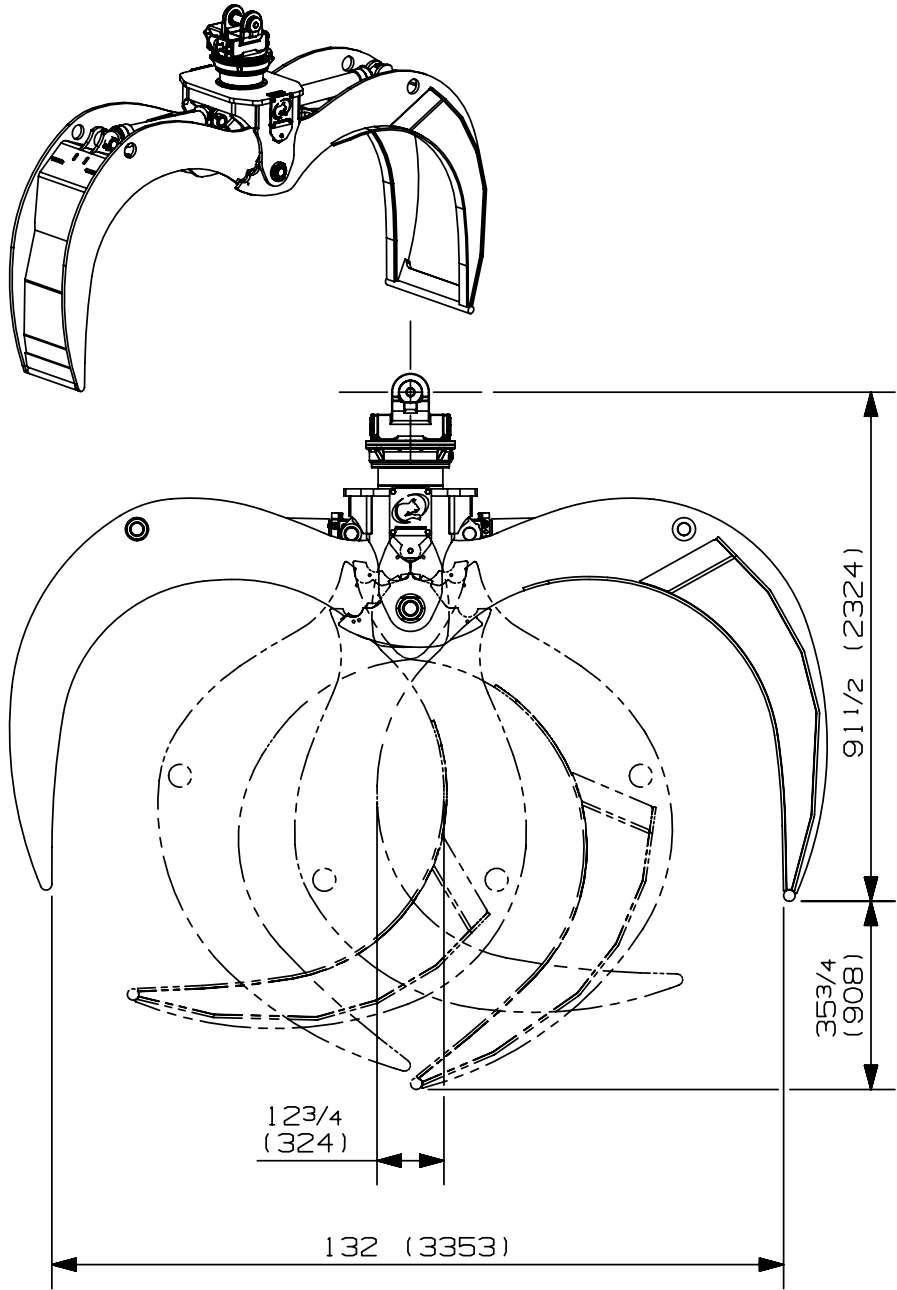


COMBINATION GRAPPLE
 250C-A RT-502STDHT-1
 COMBINE

SPECIFICATION TECHNIQUE
 TECHNICAL DATA

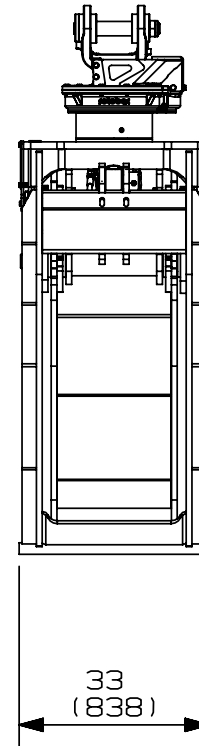
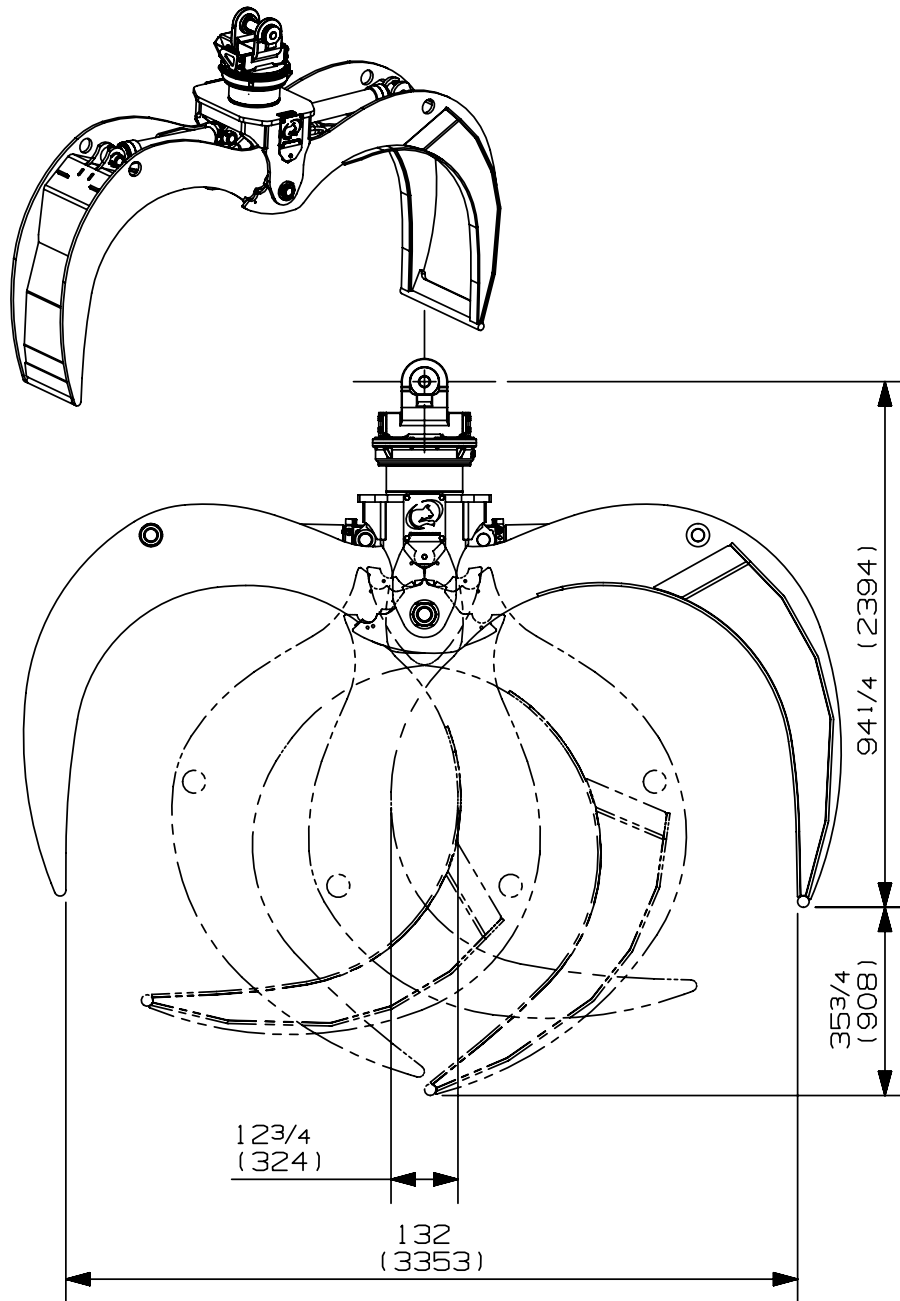
SURFACE UTILE PTE A PTE:	2.50 m ² / 26.91 ft ²
USEFUL AREA TIP TO TIP:	
POIDS:	2250 kg / 4960 lb
WEIGHT:	
DIA.DU CYLINDRE:	102 mm / 4 in
CYLINDER DIAMETER:	
PRESSION MAXIMUM:	344 bar / 5000 PSI
MAXIMUM PRESSURE:	
DEBIT MAXIMUM:	159 l/min / 42 GPM
MAXIMUM FLOW:	



COMBINATION GRAPPLE 250C-A RT-1002STDHT-1 COMBINE

SPECIFICATION TECHNIQUE TECHNICAL DATA

SURFACE UTILE PTE A PTE:	2.50 m ² / 26.91 ft ²
USEFUL AREA TIP TO TIP:	
POIDS:	2340 kg / 5160 lb
WEIGHT:	
DIA.DU CYLINDRE:	102 mm / 4 in
CYLINDER DIAMETER:	
PRESSION MAXIMUM:	344 bar / 5000 PSI
MAXIMUM PRESSURE:	
DEBIT MAXIMUM:	159 l/min / 42 GPM
MAXIMUM FLOW:	



ROTOBEC™