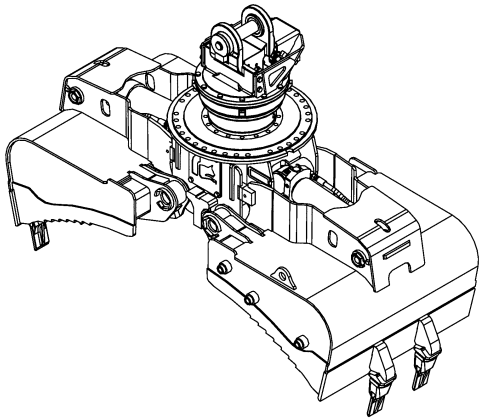




Power Attachment

RPA3045B with rotator RT-322



| | |
|----------------------------------|--|
| Opening | 71 1/8 in. (1807 mm) |
| Closing | 3 5/8 in. (92 mm) |
| Volume | 0.45 cubic yards .34 cubic meters |
| Area tip to tip | N/A |
| Rotator lifting capacity | 32000 lb (14515 kg) |
| Torque at relief pressure | 16150 in.lb (1825 Nm) @ 1450 psi (100 bars) |
| Steel* thickness | 3/8" (10 mm) |
| Weight | 1960 lb (889 kg) |

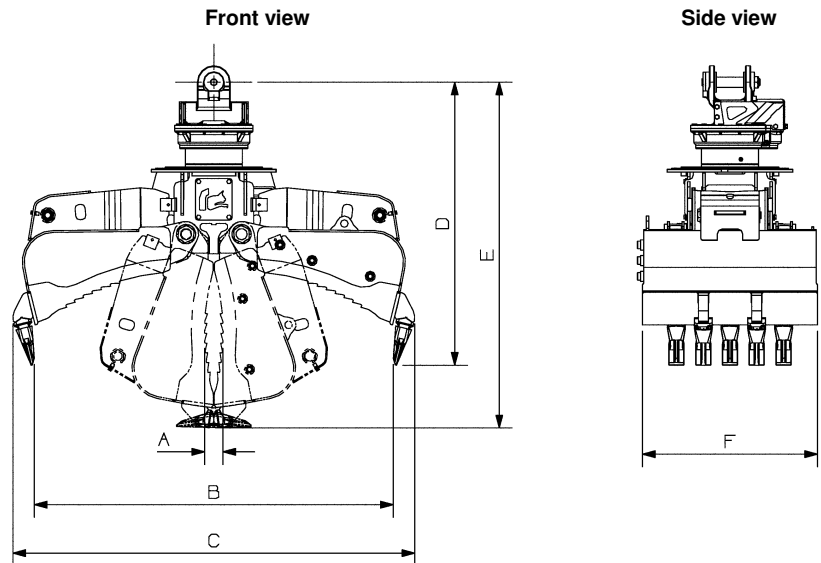
*High tensile strength steel: 165,000 psi (1138 MPa)

| | | |
|--|--|--|
| Rotator | Maximum pressure: 5000 psi (345 bars) | Recommended flow: 9 gpm (34 l/min.) |
| Rotator recommended flow will produce a speed of 30 rpm. | | |

| Cylinder | Diameter | Recommended pressure | Pressure range | Flow range | Lock valves |
|----------|----------------|----------------------|----------------------------------|------------------------------|-------------|
| Standard | 3 1/2" (89 mm) | 4000 psi (276 bars) | 3000 - 5000 psi (207 - 345 bars) | 14 - 20 gpm (53 - 76 l/min.) | no |
| | | | | | |
| | | | | | |
| | | | | | |

Grapple cylinder maximum flow will theoretically produce a complete grapple open/close cycle in 4 seconds.

| Reference | Dimension |
|-----------|----------------------|
| A | 3 5/8 in. (92 mm) |
| B | 71 1/8 in. (1807 mm) |
| C | 79 3/8 in. (2016 mm) |
| D | 54 7/8 in. (1394 mm) |
| E | 67 1/4 in. (1708 mm) |
| F | 35 1/2 in. (902 mm) |
| G | |



OPTIONS: RotoCut Saw unit. Mini heel set, one on each side of grapple head.

web site: www.rotobec.com

e-mail: rotobec@rotobec.com

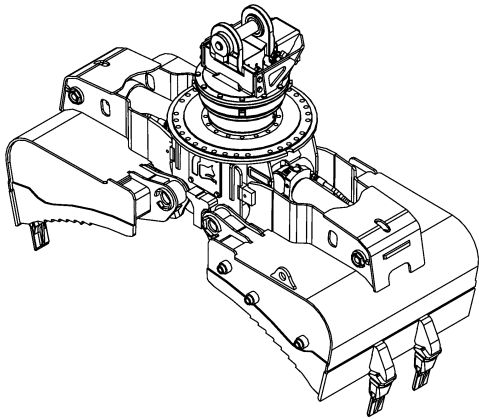
Rotobec Inc.: Head office serving OEM's and Eastern Canada
 Rotobec West: Branch serving Western Canada and Western USA
 Rotobec USA: Branch serving Eastern and Central USA

Ph: (418) 383-3002 Fax: (418) 383-5334
 Ph: (250) 765-1161 Fax: (250) 765-0035
 Ph: (603) 444-2103 Fax: (603) 444-0327



Power Attachment

RPA3045B with rotator RT-504



| | |
|----------------------------------|--|
| Opening | 71 1/8 in. (1807 mm) |
| Closing | 3 5/8 in. (92 mm) |
| Volume | 0.45 cubic yards .34 cubic meters |
| Area tip to tip | N/A |
| Rotator lifting capacity | 50000 lb (22680 kg) |
| Torque at relief pressure | 18630 in.lb (2105 Nm) @ 1450 psi (100 bars) |
| Steel* thickness | 3/8" (10 mm) |
| Weight | 2095 lb (950 kg) |

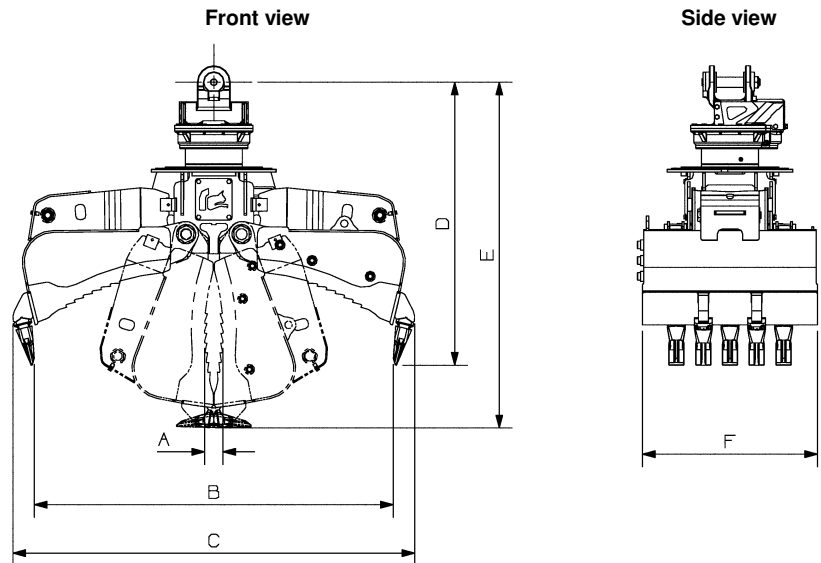
*High tensile strength steel: 165,000 psi (1138 MPa)

| | | |
|--|--|--|
| Rotator | Maximum pressure: 5000 psi (345 bars) | Recommended flow: 9 gpm (34 l/min.) |
| Rotator recommended flow will produce a speed of 25 rpm. | | |

| Cylinder | Diameter | Recommended pressure | Pressure range | Flow range | Lock valves |
|----------|----------------|----------------------|----------------------------------|------------------------------|-------------|
| Standard | 3 1/2" (89 mm) | 4000 psi (276 bars) | 3000 - 5000 psi (207 - 345 bars) | 14 - 20 gpm (53 - 76 l/min.) | no |
| | | | | | |
| | | | | | |
| | | | | | |

Grapple cylinder maximum flow will theoretically produce a complete grapple open/close cycle in 4 seconds.

| Reference | Dimension |
|-----------|----------------------|
| A | 3 5/8 in. (92 mm) |
| B | 71 1/8 in. (1807 mm) |
| C | 79 3/8 in. (2016 mm) |
| D | 56 in. (1422 mm) |
| E | 68 3/8 in. (1737 mm) |
| F | 35 1/2 in. (902 mm) |
| G | |



OPTIONS: RotoCut Saw unit. Mini heel set, one on each side of grapple head.

web site: www.rotobec.com

e-mail: rotobec@rotobec.com

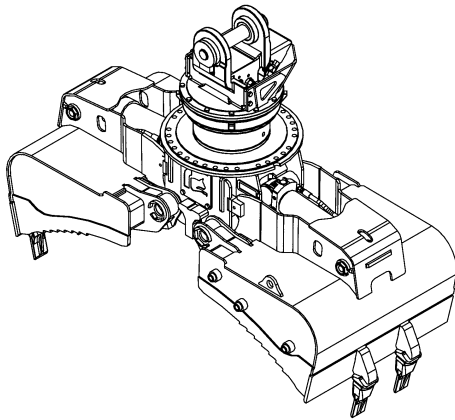
Rotobec Inc.: Head office serving OEM's and Eastern Canada
 Rotobec West: Branch serving Western Canada and Western USA
 Rotobec USA: Branch serving Eastern and Central USA

Ph: (418) 383-3002 Fax: (418) 383-5334
 Ph: (250) 765-1161 Fax: (250) 765-0035
 Ph: (603) 444-2103 Fax: (603) 444-0327



Power Attachment

RPA3045B with rotator RT-1004



| | |
|----------------------------------|--|
| Opening | 71 1/8 in. (1807 mm) |
| Closing | 3 5/8 in. (92 mm) |
| Volume | 0.45 cubic yards .34 cubic meters |
| Area tip to tip | N/A |
| Rotator lifting capacity | 100000 lb (45360 kg) |
| Torque at relief pressure | 22360 in.lb (2527 Nm) @ 1450 psi (100 bars) |
| Steel* thickness | 3/8" (10 mm) |
| Weight | 2335 lb (1059 kg) |

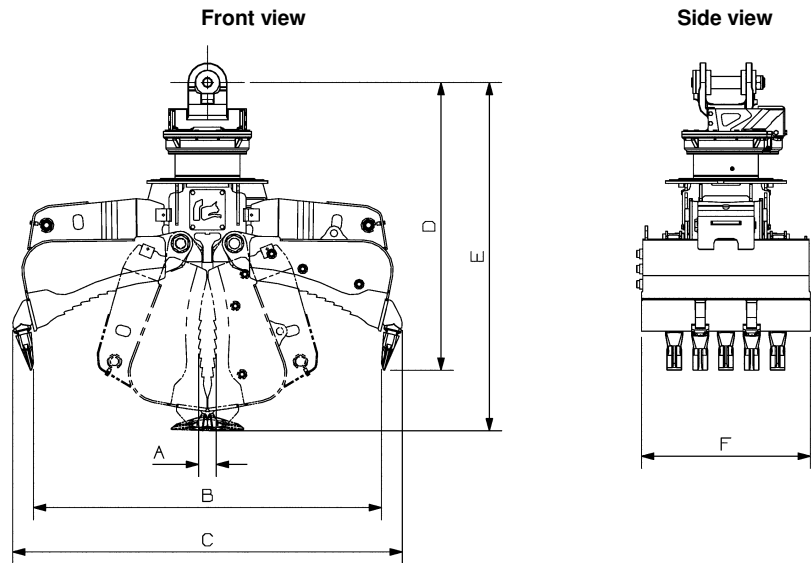
*High tensile strength steel: 165,000 psi (1138 MPa)

| | | |
|--|--|--|
| Rotator | Maximum pressure: 5000 psi (345 bars) | Recommended flow: 8 gpm (30 l/min.) |
| Rotator recommended flow will produce a speed of 20 rpm. | | |

| Cylinder | Diameter | Recommended pressure | Pressure range | Flow range | Lock valves |
|----------|----------------|----------------------|----------------------------------|------------------------------|-------------|
| Standard | 3 1/2" (89 mm) | 4000 psi (276 bars) | 3000 - 5000 psi (207 - 345 bars) | 14 - 20 gpm (53 - 76 l/min.) | no |
| | | | | | |
| | | | | | |
| | | | | | |

Grapple cylinder maximum flow will theoretically produce a complete grapple open/close cycle in 4 seconds.

| Reference | Dimension |
|-----------|----------------------|
| A | 3 5/8 in. (92 mm) |
| B | 71 1/8 in. (1807 mm) |
| C | 79 3/8 in. (2016 mm) |
| D | 58 7/8 in. (1495 mm) |
| E | 71 1/4 in. (1810 mm) |
| F | 35 1/2 in. (902 mm) |
| G | |



OPTIONS: RotoCut Saw unit. Mini heel set, one on each side of grapple head.

web site: www.rotobec.com

e-mail: rotobec@rotobec.com

Rotobec Inc.: Head office serving OEM's and Eastern Canada
 Rotobec West: Branch serving Western Canada and Western USA
 Rotobec USA: Branch serving Eastern and Central USA

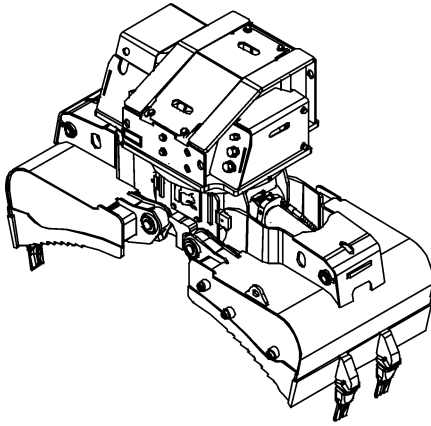
Ph: (418) 383-3002 Fax: (418) 383-5334
 Ph: (250) 765-1161 Fax: (250) 765-0035
 Ph: (603) 444-2103 Fax: (603) 444-0327



ROTOBEC™

Power Attachment

RPA3045B with rotator RGP-902



| | |
|----------------------------------|--|
| Opening | 71 1/8 in. (1807 mm) |
| Closing | 3 5/8 in. (92 mm) |
| Volume | 0.45 cubic yards .34 cubic meters |
| Area tip to tip | N/A |
| Rotator lifting capacity | 90000 lb (40823 kg) |
| Torque at relief pressure | 148710 in. lb (16803 Nm) @ 2200 psi (152 bars) |
| Steel* thickness | 3/8" (10 mm) |
| Weight | 2850 lb (1293 kg) |

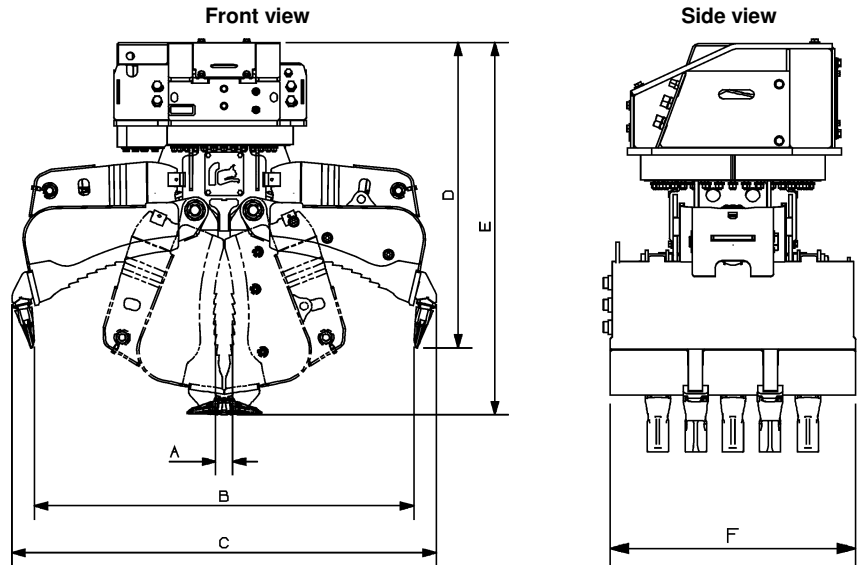
*High tensile strength steel: 165,000 psi (1138 MPa)

| | | |
|--|--|--|
| Rotator | Maximum pressure: 5000 psi (345 bars) | Recommended flow: 33 gpm (125 l/min.) |
| Rotator recommended flow will produce a speed of 15 rpm. | | |

| Cylinder | Diameter | Recommended pressure | Pressure range | Flow range | Lock valves |
|----------|----------------|----------------------|----------------------------------|------------------------------|-------------|
| Standard | 3 1/2" (89 mm) | 4000 psi (276 bars) | 3000 - 5000 psi (207 - 345 bars) | 14 - 20 gpm (53 - 76 l/min.) | no |
| | | | | | |
| | | | | | |
| | | | | | |

Grapple cylinder maximum flow will theoretically produce a complete grapple open/close cycle in 4 seconds.

| Reference | Dimension |
|-----------|----------------------|
| A | 3 5/8 in. (92 mm) |
| B | 71 1/8 in. (1807 mm) |
| C | 79 3/8 in. (2016 mm) |
| D | 57 5/8 in. (1464 mm) |
| E | 70 1/4 in. (1784 mm) |
| F | 35 1/2 in. (902 mm) |
| G | |



OPTIONS: Custom lugging on rotator. Mini heel set, one on each side of grapple head. Float on swing motor. Positioning cylinder kit, including bracket. 2 function valve-in-head kit. Installation kit.

web site: www.rotobec.com

e-mail: rotobec@rotobec.com

Rotobec Inc.: Head office serving OEM's and Eastern Canada
 Rotobec West: Branch serving Western Canada and Western USA
 Rotobec USA: Branch serving Eastern and Central USA

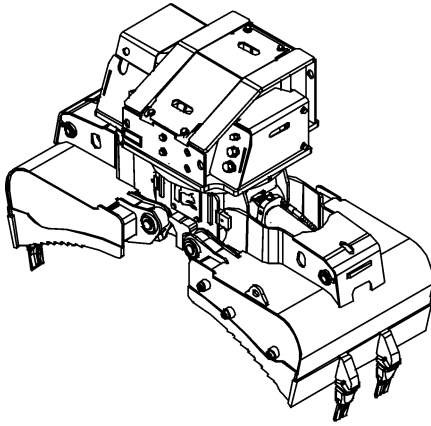
Ph: (418) 383-3002 Fax: (418) 383-5334
 Ph: (250) 765-1161 Fax: (250) 765-0035
 Ph: (603) 444-2103 Fax: (603) 444-0327



ROTOBEC™

Power Attachment

RPA3045B with rotator RGP-904



| | |
|----------------------------------|--|
| Opening | 71 1/8 in. (1807 mm) |
| Closing | 3 5/8 in. (92 mm) |
| Volume | 0.45 cubic yards .34 cubic meters |
| Area tip to tip | N/A |
| Rotator lifting capacity | 90000 lb (40823 kg) |
| Torque at relief pressure | 148710 in. lb (16803 Nm) @ 2200 psi (152 bars) |
| Steel* thickness | 3/8" (10 mm) |
| Weight | 2850 lb (1293 kg) |

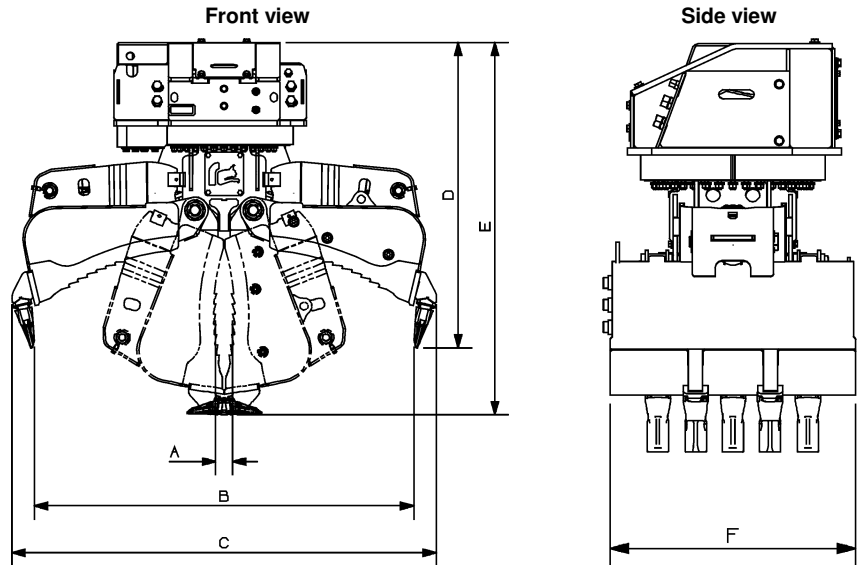
*High tensile strength steel: 165,000 psi (1138 MPa)

| | | |
|--|--|--|
| Rotator | Maximum pressure: 5000 psi (345 bars) | Recommended flow: 33 gpm (125 l/min.) |
| Rotator recommended flow will produce a speed of 15 rpm. | | |

| Cylinder | Diameter | Recommended pressure | Pressure range | Flow range | Lock valves |
|----------|----------------|----------------------|----------------------------------|------------------------------|-------------|
| Standard | 3 1/2" (89 mm) | 4000 psi (276 bars) | 3000 - 5000 psi (207 - 345 bars) | 14 - 20 gpm (53 - 76 l/min.) | no |
| | | | | | |
| | | | | | |
| | | | | | |

Grapple cylinder maximum flow will theoretically produce a complete grapple open/close cycle in 4 seconds.

| Reference | Dimension |
|-----------|----------------------|
| A | 3 5/8 in. (92 mm) |
| B | 71 1/8 in. (1807 mm) |
| C | 79 3/8 in. (2016 mm) |
| D | 57 5/8 in. (1464 mm) |
| E | 70 1/4 in. (1784 mm) |
| F | 35 1/2 in. (902 mm) |
| G | |



OPTIONS: Custom lugging on rotator. Mini heel set, one on each side of grapple head. Float on swing motor. Positioning cylinder kit, including bracket. 2 function valve-in-head kit. Installation kit.

web site: www.rotobec.com

e-mail: rotobec@rotobec.com

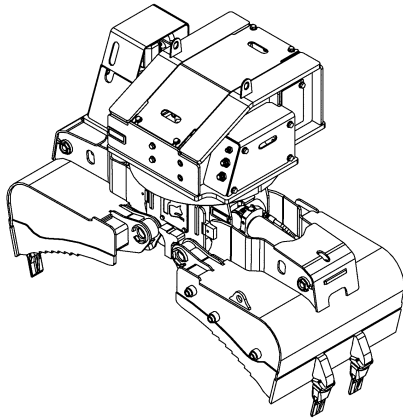
Rotobec Inc.: Head office serving OEM's and Eastern Canada
 Rotobec West: Branch serving Western Canada and Western USA
 Rotobec USA: Branch serving Eastern and Central USA

Ph: (418) 383-3002 Fax: (418) 383-5334
 Ph: (250) 765-1161 Fax: (250) 765-0035
 Ph: (603) 444-2103 Fax: (603) 444-0327



Power Attachment

RPA3045B with rotator RGP-1302A



| | |
|----------------------------------|--|
| Opening | 71 1/8 in. (1807 mm) |
| Closing | 3 5/8 in. (92 mm) |
| Volume | 0.45 cubic yards .34 cubic meters |
| Area tip to tip | N/A |
| Rotator lifting capacity | 130000 lb (58968 kg) |
| Torque at relief pressure | 176750 in. lb (19972 Nm) @ 2200 psi (152 bars) |
| Steel* thickness | 3/8" (10 mm) |
| Weight | 3175 lb (1440 kg) |

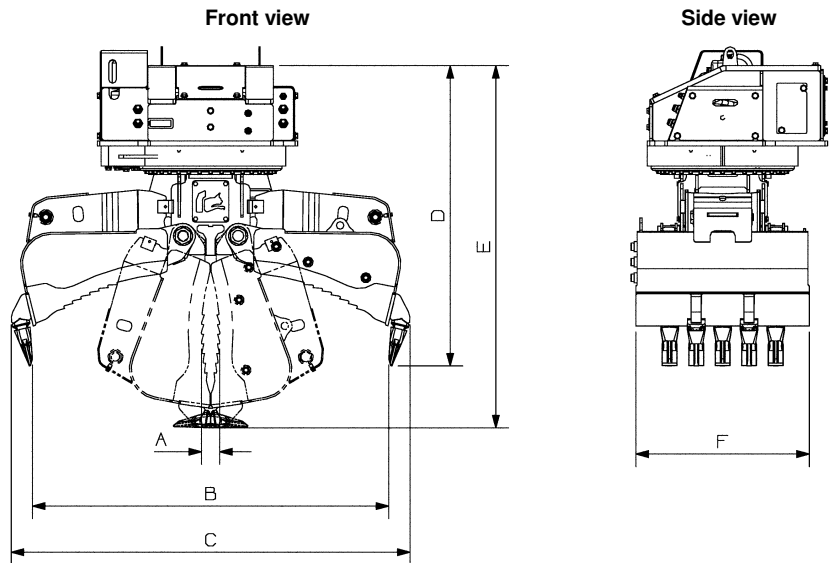
*High tensile strength steel: 165,000 psi (1138 MPa)

| | | |
|--|--|--|
| Rotator | Maximum pressure: 5000 psi (345 bars) | Recommended flow: 33 gpm (125 l/min.) |
| Rotator recommended flow will produce a speed of 15 rpm. | | |

| Cylinder | Diameter | Recommended pressure | Pressure range | Flow range | Lock valves |
|----------|----------------|----------------------|----------------------------------|------------------------------|-------------|
| Standard | 3 1/2" (89 mm) | 4000 psi (276 bars) | 3000 - 5000 psi (207 - 345 bars) | 14 - 20 gpm (53 - 76 l/min.) | no |
| | | | | | |
| | | | | | |

Grapple cylinder maximum flow will theoretically produce a complete grapple open/close cycle in 4 seconds.

| Reference | Dimension |
|-----------|----------------------|
| A | 3 5/8 in. (92 mm) |
| B | 71 1/8 in. (1807 mm) |
| C | 79 3/8 in. (2016 mm) |
| D | 59 7/8 in. (1521 mm) |
| E | 72 1/4 in. (1835 mm) |
| F | 35 1/2 in. (902 mm) |
| G | |



OPTIONS: Custom lugging on rotator. RotoCut Saw unit. Mini heel set, one on each side of grapple head. Float on swing motor. Positioning cylinder kit, including bracket. 2 or 3 function valve-in-head kit. Installation kit.
 NOTE: Spacer included with rotator, not illustrated.

web site: www.rotobec.com

e-mail: rotobec@rotobec.com

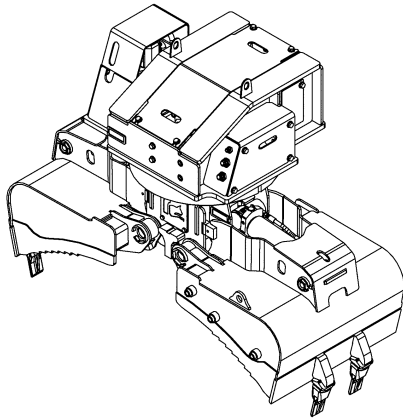
Rotobec Inc.: Head office serving OEM's and Eastern Canada
 Rotobec West: Branch serving Western Canada and Western USA
 Rotobec USA: Branch serving Eastern and Central USA

Ph: (418) 383-3002 Fax: (418) 383-5334
 Ph: (250) 765-1161 Fax: (250) 765-0035
 Ph: (603) 444-2103 Fax: (603) 444-0327



Power Attachment

RPA3045B with rotator RGP-1304A



| | |
|----------------------------------|--|
| Opening | 71 1/8 in. (1807 mm) |
| Closing | 3 5/8 in. (92 mm) |
| Volume | 0.45 cubic yards .34 cubic meters |
| Area tip to tip | N/A |
| Rotator lifting capacity | 130000 lb (58968 kg) |
| Torque at relief pressure | 176750 in. lb (19972 Nm) @ 2200 psi (152 bars) |
| Steel* thickness | 3/8" (10 mm) |
| Weight | 3175 lb (1440 kg) |

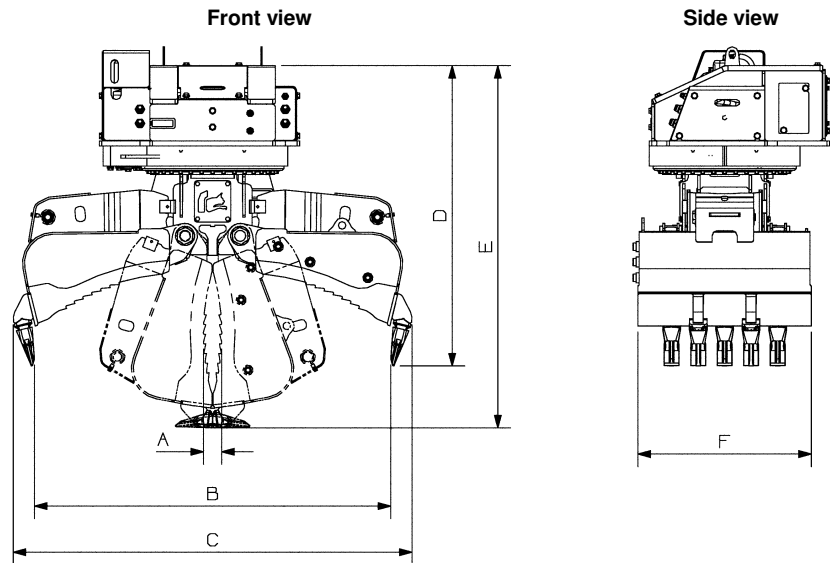
*High tensile strength steel: 165,000 psi (1138 MPa)

| | | |
|--|--|--|
| Rotator | Maximum pressure: 5000 psi (345 bars) | Recommended flow: 33 gpm (125 l/min.) |
| Rotator recommended flow will produce a speed of 15 rpm. | | |

| Cylinder | Diameter | Recommended pressure | Pressure range | Flow range | Lock valves |
|----------|----------------|----------------------|----------------------------------|------------------------------|-------------|
| Standard | 3 1/2" (89 mm) | 4000 psi (276 bars) | 3000 - 5000 psi (207 - 345 bars) | 14 - 20 gpm (53 - 76 l/min.) | no |
| | | | | | |
| | | | | | |
| | | | | | |

Grapple cylinder maximum flow will theoretically produce a complete grapple open/close cycle in 4 seconds.

| Reference | Dimension |
|-----------|----------------------|
| A | 3 5/8 in. (92 mm) |
| B | 71 1/8 in. (1807 mm) |
| C | 79 3/8 in. (2016 mm) |
| D | 59 7/8 in. (1521 mm) |
| E | 72 1/4 in. (1835 mm) |
| F | 35 1/2 in. (902 mm) |
| G | |



OPTIONS: Custom lugging on rotator. RotoCut Saw unit. Mini heel set, one on each side of grapple head. Float on swing motor. Positioning cylinder kit, including bracket. 2 or 3 function valve-in-head kit. Installation kit.
 NOTE: Spacer included with rotator, not illustrated.

web site: www.rotobec.com

e-mail: rotobec@rotobec.com

Rotobec Inc.: Head office serving OEM's and Eastern Canada
 Rotobec West: Branch serving Western Canada and Western USA
 Rotobec USA: Branch serving Eastern and Central USA

Ph: (418) 383-3002 Fax: (418) 383-5334
 Ph: (250) 765-1161 Fax: (250) 765-0035
 Ph: (603) 444-2103 Fax: (603) 444-0327