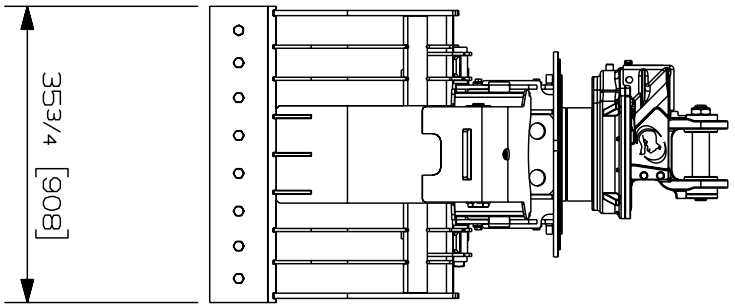
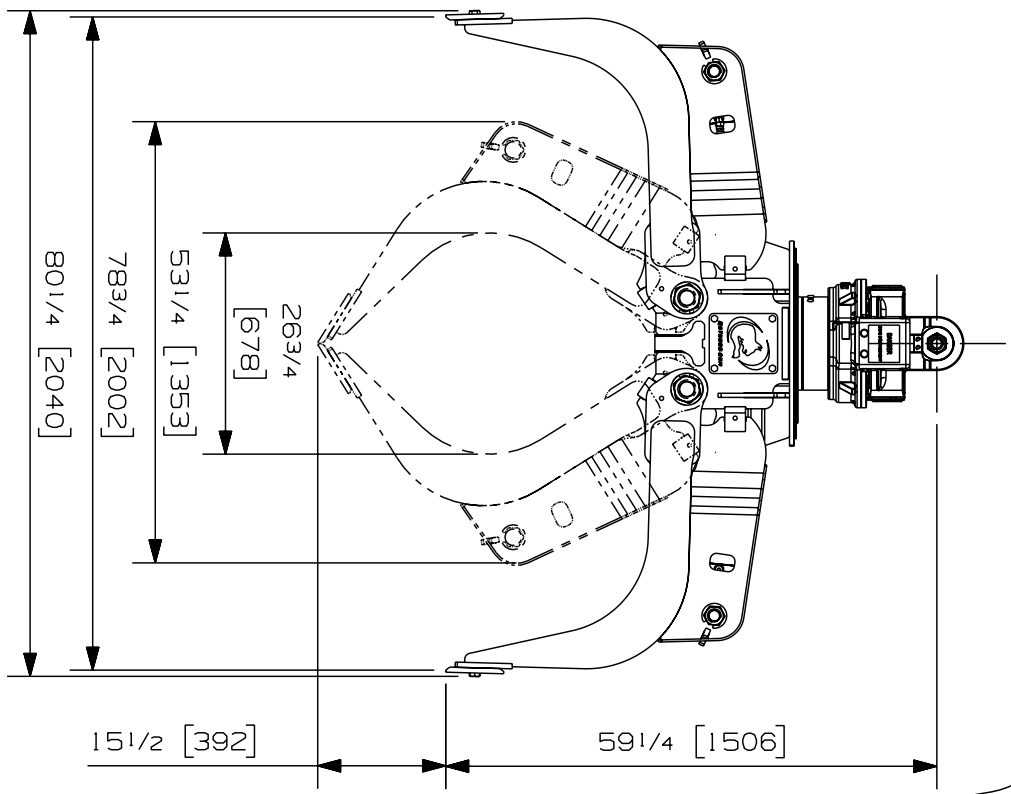
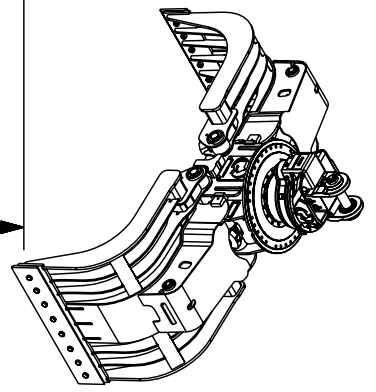


“ POWER ATTACHMENT ”
 RPA3045T - A RT504
 TRASH VERSION



TECHNICAL DATA

CAPACITY:	0.5 Y ³ (385 m ³)
USEFUL AREA TIP TO TIP:	650 Po ² (0.42 m ²)
WEIGHT:	2200 lb (932 kg)
CYLINDER DIAMETER:	31/2"
MAXIMUM PRESSURE:	5000 Psi (345 bar)
MAXIMUM FLOW:	20 gpm (75 l/m.in)



ROTORBEC™

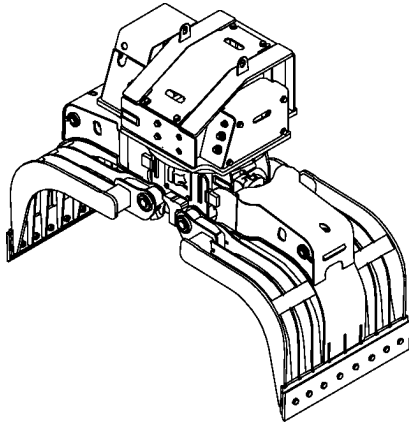
Nous nous reservons le droit de modifier nos specifications et d'ameliorer nos produits sans autre avis ou obligation.
 We reserve the right to change specifications and improve our products without notice or obligation.

07001-8554/00
 01-02-10
 PUB_RPA3045T-RT504



Power Attachment

RPA3045T with rotator RGP-902



Opening	79 3/8 in. (2016 mm)
Closing	in. (0 mm)
Volume	.50 cubic yards .38 cubic meters
Area tip to tip	4.5 sq. ft. (.42 sq. meter)
Rotator lifting capacity	90000 lb (40823 kg)
Torque at relief pressure	148710 in. lb (16803 Nm) @ 2200 psi (152 bars)
Steel* thickness	1/4" (6 mm)
Weight	2954 lb (1340 kg)

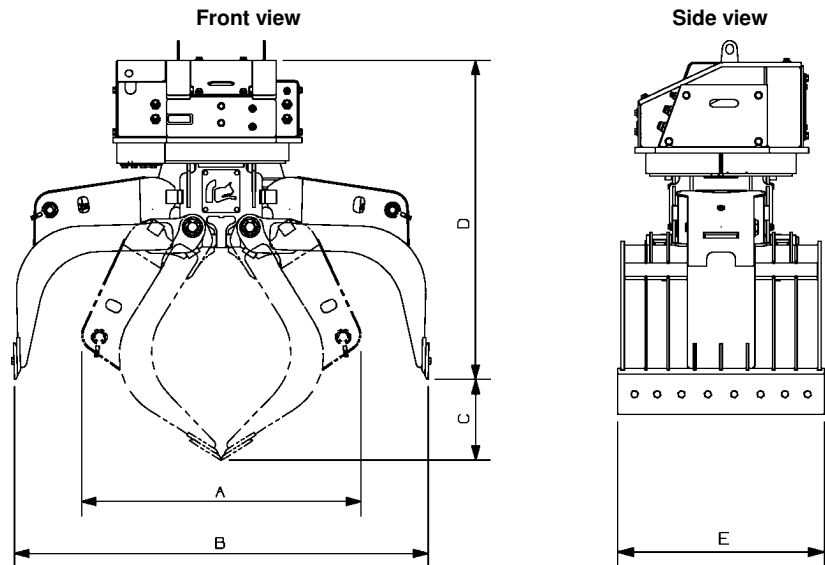
*High tensile strength steel: 165,000 psi (1138 MPa)

Rotator	Maximum pressure: 5000 psi (345 bars)	Recommended flow: 33 gpm (125 l/min.)
Rotator recommended flow will produce a speed of 15 rpm.		

Cylinder	Diameter	Recommended pressure	Pressure range	Flow range	Lock valves
Standard	3 1/2" (89 mm)	4000 psi (276 bars)	3000 - 5000 psi (207 - 345 bars)	14 - 20 gpm (53 - 76 l/min.)	no

Grapple cylinder maximum flow will theoretically produce a complete grapple open/close cycle in 4 seconds.

Reference	Dimension
A	53 1/2 in. (1359 mm)
B	79 3/8 in. (2016 mm)
C	15 3/8 in. (391 mm)
D	61 in. (1549 mm)
E	35 3/4 in. (908 mm)
F	
G	



OPTIONS: Custom lugging on rotator.

web site: www.rotobec.com

e-mail: rotobec@rotobec.com

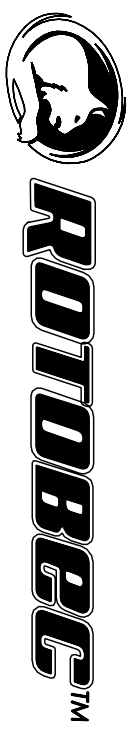
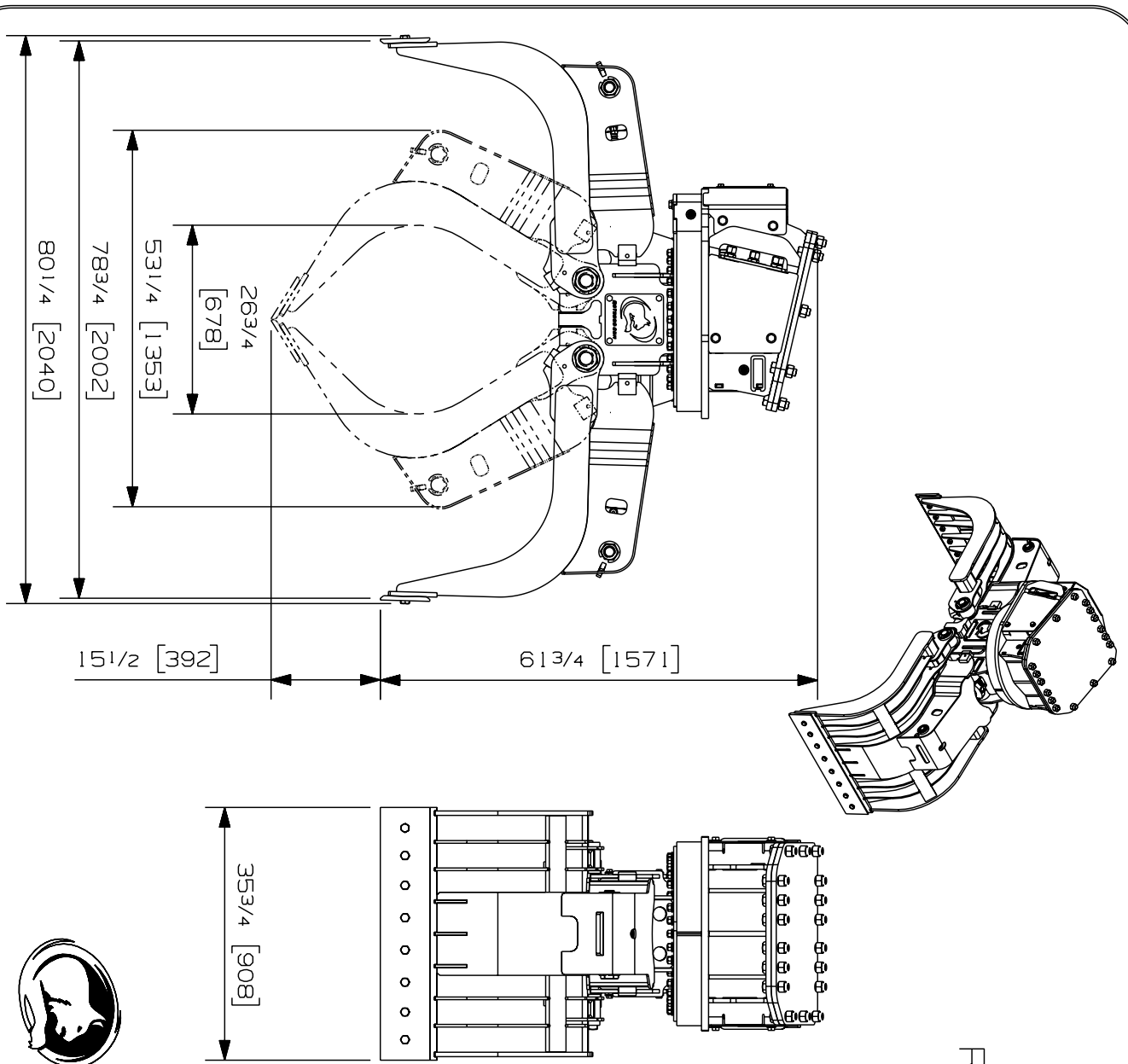
Rotobec Inc.: Head office serving OEM's and Eastern Canada
 Rotobec West: Branch serving Western Canada and Western USA
 Rotobec USA: Branch serving Eastern and Central USA

Ph: (418) 383-3002 Fax: (418) 383-5334
 Ph: (250) 765-1161 Fax: (250) 765-0035
 Ph: (603) 444-2103 Fax: (603) 444-0327

“POWER ATTACHMENT” RPA3045T - A RLP902 - 1 TRASH VERSION

SPECIFICATION TECHNIQUE TECHNICAL DATA

CAPACITE:	0.5 Y ³ /N ³
CAPACITY:	(385 m ³)
SURFACE UTILE PTE A PTE:	650 PO ² /inch ²
USEFUL AREA TIP TO TIP:	(0.423 m ²)
POIDS:	2655 lb
WEIGHT:	(1205 kg)
DIA. DU CYLINDRE:	3 1/2"
CYLINDER DIAMETER:	(89 mm)
PRESSION MAXIMUM:	5000 psi
MAXIMUM PRESSURE:	(345 bar)
DEBIT MAXIMUM:	20 gpm
MAXIMUM FLOW:	(75 l/min)



Nous nous reservons le droit de modifier nos specifications et d'améliorer nos produits sans autre avis ou obligation.
We reserve the right to change specifications and improve our products without notice or obligation.

07001-8701/00
11/02/10
PUB_RPA3045T_RLP902 (DWG)