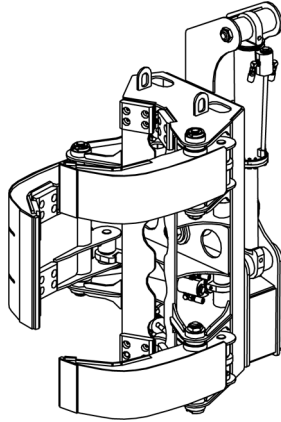




**ROTOBEC™**

# Pipe and Post Handler

## 3212ROD



<b>Opening</b>	32 in. (813 mm)
<b>Closing</b>	12 in. (305 mm)
<b>Lifting capacity</b>	16000 lb (7258 kg)
<b>Max load Moment</b>	60000 lb-ft
<b>Weight</b>	3600 (1633 kg)

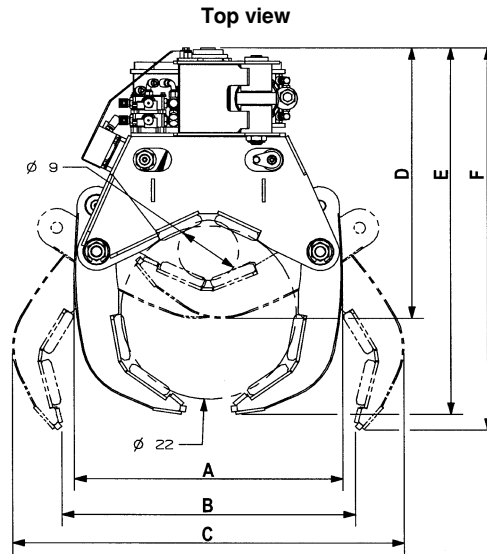
\*High tensile strength steel: 165,000 psi (1138 MPa)

<b>Rotator</b>	<b>Maximum pressure:</b>	<b>Recommended flow:</b>

Cylinder	Diameter	Recommended pressure	Pressure range	Flow range	Lock valves
Grapple	3" (76mm)	4250 psi (293 bars)	3500 - 5000 psi	21 - 29 gpm (79 - 110 l/min)	yes
Tilt	4 1/2" (114 mm)	4250 psi (293 bars)	3500 - 5000 psi	21 - 29 gpm (79 - 110 l/min)	yes

Grapple cylinder maximum flow will theoretically produce a complete grapple open/close cycle in 6 seconds.

Reference	Dimension
A	47 3/4 in. (1213 mm)
B	56 in. (1422 mm)
C	71 in. (1803 mm)
D	46 1/4 in. (1175 mm)
E	63 in. (1600 mm)
F	64 3/4 in. (1645 mm)



NOTE:

web site: [www.rotobec.com](http://www.rotobec.com)

e-mail: [rotobec@rotobec.com](mailto:rotobec@rotobec.com)

Rotobec Inc.: Head office serving OEM's and Eastern Canada  
 Rotobec West: Branch serving Western Canada and Western USA  
 Rotobec USA: Branch serving Eastern and Central USA

Ph: (418) 383-3002 Fax: (418) 383-5334  
 Ph: (250) 765-1161 Fax: (250) 765-0035  
 Ph: (603) 444-2103 Fax: (603) 444-0327